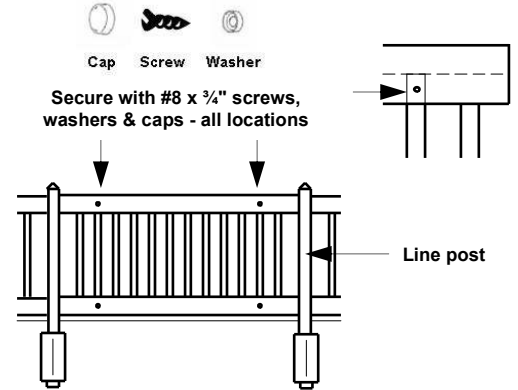
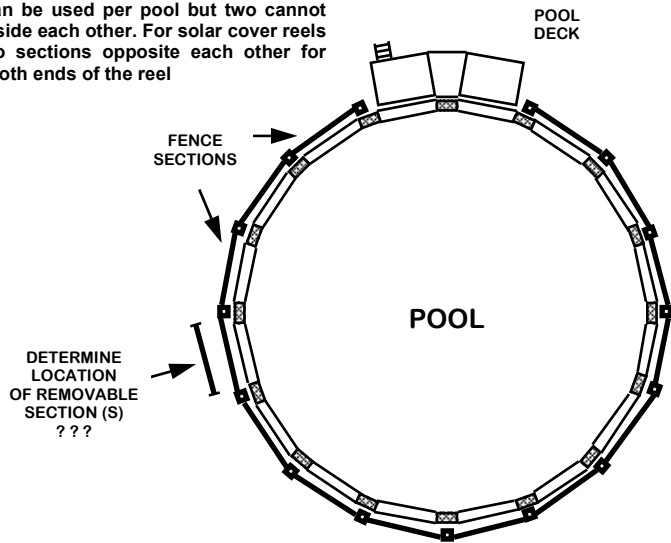
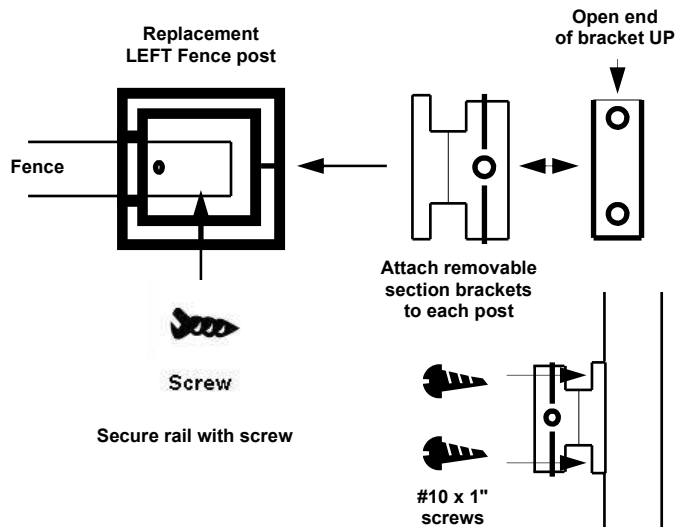
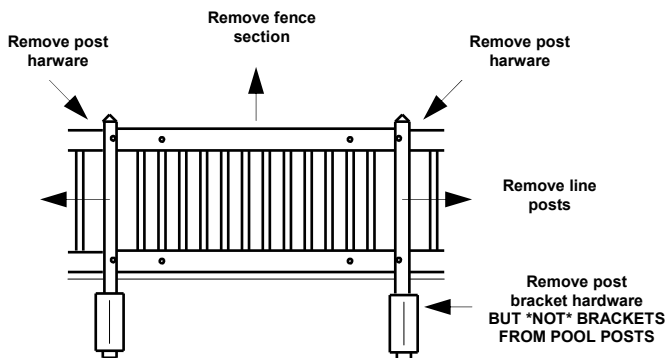


REMOVABLE SECTION KIT (Model RSK24 & RSK36 for Resin Pool Fencing) ASSEMBLY & INSTALLATION

Step 1 Install pool fencing to pool structure as outlined in the instructions included with fence kits. Determine desired location for the removable fence section(s). Multiple removable sections can be used per pool but two cannot be used beside each other. For solar cover reels choose two sections opposite each other for access to both ends of the reel

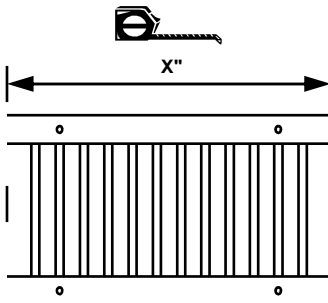
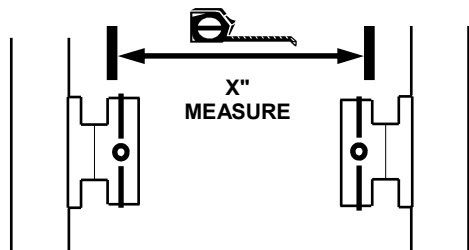


Step 2 For the section you wish to be removable, secure the fence section into one unit so it will not disassemble when removing it. Using a 1/8" drill bit, drill a pilot hole through one face of the fence rail and picket on the second in from each end of the section. Secure connection using a #8 x 3/4" screw, washer & cap at all four corners. Note: fence pickets fit half-way into fence rails (internally) as shown above. Also, additional screws, washers & caps provided if you wish to secure section at further picket/rail locations



Step 3 Remove the post hardware used to secure section in place (both sides of section). Keep this hardware & remember positioning as you will require it to reassemble. Remove fence section & remove the two line posts. Keep all hardware for reassembly. Note: you may have some extra hardware left over once complete as line posts have double for opposite sections. DO NOT REMOVE MOUNTING BRACKETS FROM POOL UPRIGHT POSTS

Step 4 Replace the two line posts removed with the two end posts provided. Note: there is a left and right end post included. Left & right are determined by the pre-drilled screw holes as shown above (left & right always determined when facing pool from the outside). Secure post in position using the hardware removed in Step 3 (similar to removal). Attach removable section brackets to end posts using the #10 x 1" screws provided. Repeat for all four brackets. Note: open end of bracket UP as shown



Step 5 Measure distance from inside of bracket to inside of bracket from the left end post to the right end post. Mark this length/measurement on the fence section. Make certain to balance distance from each end picket on both ends of section so final installation looks neat & balanced. Cut rail ends accordingly

Step 6 Once rail ends are cut, fit section into brackets from the top down. Make certain all four rail ends are within the brackets. Using a 5/16" drill bit, drill a hole through the rail (through hole already in each bracket). Using the quick release pins provided, secure the section in place at all four corners. **MAKE CERTAIN THAT THIS REMOVABLE SECTION IS ALWAYS SECURED IN PLACE WITH PINS WHEN POOL IS NOT IN USE.** If desired, the quick release pins come with a cable attached so you can fasten pins to the fence post as not to loose or drop them. Simply attach using the small screws provided. Make certain to leave slack for pin removal from brackets

