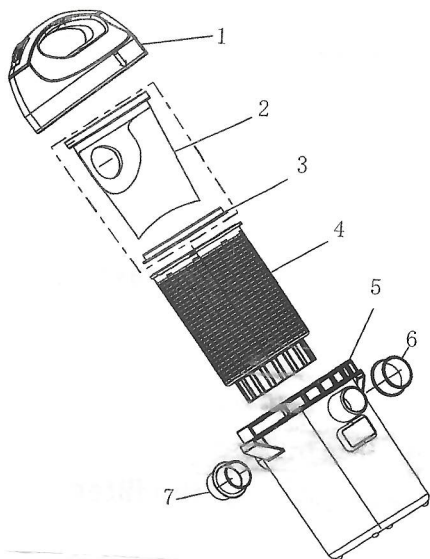


Leaf Canister Instruction Manual

It is designed to pre-filter and collect swimming pool rubbish before it goes to swimming pool filter system.



1. Cap
2. Filter bag(optional)
3. Filter bag support(optional)
4. Filter basket
5. Filter tank
6. Hose connector for Barracuda female-Female hose
7. Hose connector for Barracuda female-Male hose



1. How to USE the Leaf canister

Please follow the drawings to assemble the leaf canister

- 1.1: Close filter pump
- 1.2: One end of female-female hose connected to the PUMP end, and the other end connected to wall skimmer or pump
- 1.3: One end of female – male hose connected to the CLEANAER, and the other end connected to the cleaner or vacuum head
- 1.4: Press the cap button to take out the basket with cap from filter tank;
- 1.5: Fill the tank and hoses with full water ;
- 1.6: Insert the cap with filter basket into the filter tank ;
- 1.7: Open the pump to start to work;

