

A Quasphere™
Long life pool enjoyment

KONTIKI 2



Owner's Manual
Guide du propriétaire



Kontiki 2 Limited Warranty

This Kontiki 2 was carefully inspected before shipment from our warehouse. Upon unpacking, if any part proves defective or missing, please notify ZPS or ZPSC, Ltd. ("ZPS") immediately. Please refer to the information in this manual for complete instructions on the installation and operation of your KONTIKI 2.

ZPS WARRANTS THE KONTIKI 2 POOL CLEANER AGAINST ALL MANUFACTURING DEFECTS AND ALL WEAR AND TEAR FOR

US/MEXICO
90 DAYS

CANADA
ONE (1) YEAR

ALL WARRANTIES ARE EFFECTIVE FROM THE DATE OF PURCHASE.

Should this product prove defective in workmanship, materials or wear during the applicable warranty period, the consumer's sole and exclusive remedy shall be such repair or replacement of the product as provided below.

THE LIMITED WARRANTY PROVIDED HEREIN IS THE SOLE AND EXCLUSIVE WRITTEN WARRANTY WITH RESPECT TO THE KONTIKI 2 POOL CLEANER. ALL IMPLIED WARRANTIES IMPOSED BY APPLICABLE LAW, INCLUDING ANY IMPLIED WARRANTY OF MERCHANTABILITY OR FITNESS FOR A PARTICULAR PURPOSE, ARE LIMITED TO THE DURATION OF THE EXPRESS LIMITED WARRANTY. SOME STATES DO NOT ALLOW LIMITATIONS ON HOW LONG AN IMPLIED WARRANTY LASTS, SO THE ABOVE LIMITATION MAY NOT APPLY TO YOU.

THIS LIMITED WARRANTY EXCLUDES THE FOLLOWING:

1. Discoloration of the Kontiki 2 pool cleaner. This is caused by reaction to ultraviolet rays and the chemicals used in the pool water. Discoloration does not affect the operating ability of the Kontiki 2. Therefore, this Limited Warranty does not cover the replacement of discolored parts.
2. Damage to or malfunction of the unit resulting from excess chlorination or improper water chemistry balance.
3. Replacement of parts which fail or become defective as a result of improper installation, negligence, misuse, abuse or tampering by unauthorized repair personnel.
4. Age, pool water imbalance, and improper installation can cause vinyl pool liners to become brittle or unduly wrinkled. Corrosion of the supporting walls and/or irregularities in the pool base may also cause liner failure. The use of this product in such an environment is at the pool owner's risk. Therefore, the pool owner hereby releases the manufacturer from any and all claims for damage where these conditions exist.
5. The Kontiki 2 is designed for use in aboveground pools only. If unit is used in any other application, the pool owner hereby releases the manufacturer from any and all claims. This misuse will void all warranty on the unit.
6. In no event shall ZPS be liable in contract or in tort, or under any other legal theory, for lost profits or revenues, loss of use or similar economic loss, or for indirect, special, incidental, consequential or similar damages, even if it has been advised of the possibility of such claim. Some states do not allow the exclusion or limitation of incidental or consequential damages, so the above limitation or exclusion may not apply to you.

IMPORTANT WARRANTY NOTICES FOR VINYL LINER POOL OWNERS

- Certain vinyl liner patterns are particularly susceptible to rapid surface wear or pattern removal caused by objects coming into contact with the vinyl surface, including pool brushes, pool toys, floats, fountains, chlorine dispensers, and automatic pool cleaners.
- Some vinyl liner patterns can be seriously scratched or abraded simply by rubbing the surface with a pool brush. Ink from the pattern can also rub off during the installation process or when it comes into contact with objects in the pool. ZPS is not responsible for, and the Limited Warranty does not cover, pattern removal, abrasion or marking on vinyl liners.
- Vinyl liners are subject to deterioration or damage due to age, the effect of chemicals, corrosion or failure of the supporting walls; as well as improper installation, maintenance or cleaning of the supporting walls or base.
- Before installing the Kontiki 2, examine the interior of your pool carefully. If your vinyl liner is brittle or has stones, wrinkles, roots or metal corrosion in contact with the underside of the liner, or has damage to the base material or supporting walls, do not install the Kontiki 2 before having a qualified professional perform the necessary repairs.

ZPS will not be responsible for liner damage caused by (1) a Kontiki 2 cleaner which is in disrepair, (2) pattern removal from a vinyl liner, or (3) a Kontiki 2 cleaner used in a pool having an aged or deteriorated liner.

WARRANTY PROCEDURES

No claim under this Limited Warranty will be recognized unless the registration card, included in your box, is completed and returned within thirty (30) days of the purchase date. **Only the original purchaser may submit a claim under this Limited Warranty.** Purchaser's claims against ZPS shall be limited to those claims which may be asserted under the Limited Warranty relating to any defect, malfunction or wear of the Kontiki 2.

To obtain warranty replacements or repair, contact ZPS or ZPSC, Ltd in Canada for authorization. When submitting a claim, always supply serial number, evidence of purchase date, retailer and a brief description of the problems/defects encountered. ZPS reserves the right to repair or replace all defective or worn parts covered by this Limited Warranty and return same to purchaser, freight collect. ZPS assumes no responsibility for any warranties or representations made by other individuals or businesses beyond the express terms contained in this Limited Warranty.

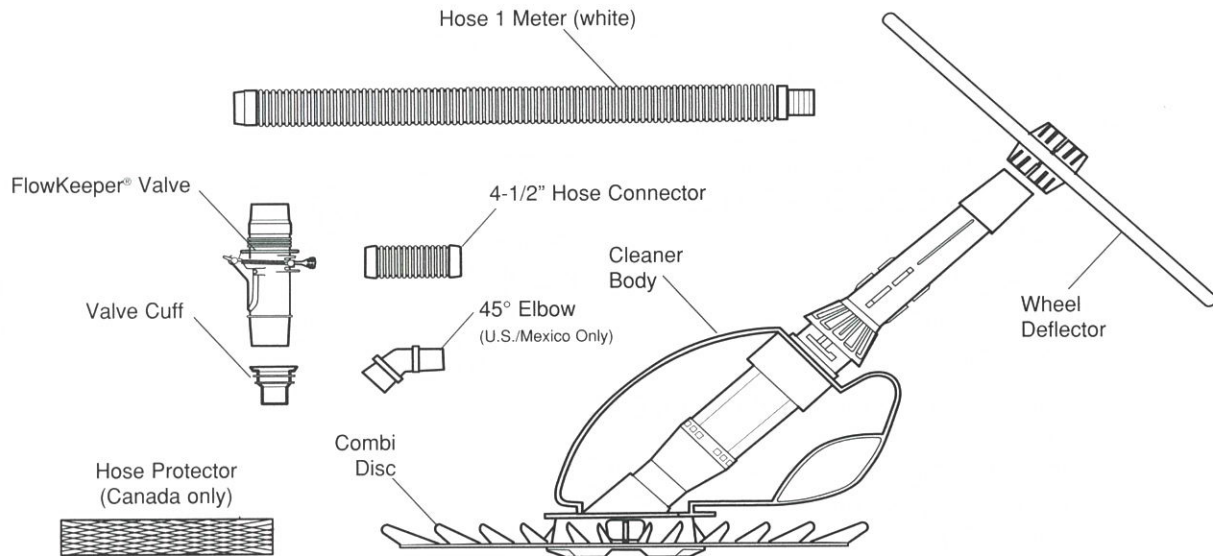
This warranty gives you specific legal rights, and you may also have other rights which vary from jurisdiction to jurisdiction.

For sale and use in the United States, Canada and Mexico only. This pool cleaner is not warranted or guaranteed in any other country.

This pool cleaner is covered by one or more of the following U.S. and Canadian patents and registered design:
U.S. patent nos. 5,315,728; 5,450,645 and 6,122,794. Canadian patent nos. 2,127,566; 2,134,220 and 2,266,355.
Other patents pending.

Introduction

Thank you for purchasing Kontiki 2. The Kontiki 2 is designed and manufactured for easy installation and years of carefree operation. Before installing the cleaner, please take a few moments to become familiar with its components and to review the important information below.



English

Important Information

Notice for Vinyl Liner Pools: Before installing your new Kontiki 2, examine the interior of your pool carefully. If the vinyl liner is brittle or has stones, wrinkles, roots or metal corrosion in contact with the underside of the liner, or has damage to the base material or supporting walls, do not install the cleaner before having a qualified professional perform the necessary repairs or liner replacement. **ZPS will not be responsible for liner damage caused by a cleaner which is in disrepair, pattern removal from a vinyl liner, or a cleaner used in a pool having an aged or deteriorated liner.** Please see Limited Warranty.

- Clean the skimmer basket, pump basket and pool filter before installing the Kontiki 2 and on a regular basis thereafter.
- Always disconnect the Kontiki 2 before cleaning or backwashing the pool filter. After cleaning, let the filtration system run for at least five minutes before re-connecting the cleaner.
- Always remove the Kontiki 2 from the pool before chemical or shock treatments. Wait a minimum of four hours after super chlorination before re-installing the cleaner.

To ensure prompt warranty service, should it be required, please:

- Complete and return the Warranty Card.
- Record your purchase information.
- Attach a copy of your purchase receipt to this document.

Date of Purchase: _____ Purchased From: _____

Serial Number (Located on underside of cleaner) _____

If service is required, simply present your owner's manual with the attached receipt to your dealer.

Installation

English

1

Prepare the Pool

Inspect the interior of the pool. If the liner is brittle, has wrinkles, root or metal corrosion from the underside, or damage to the supporting base or walls, do not install the cleaner until a qualified professional makes any necessary repairs.

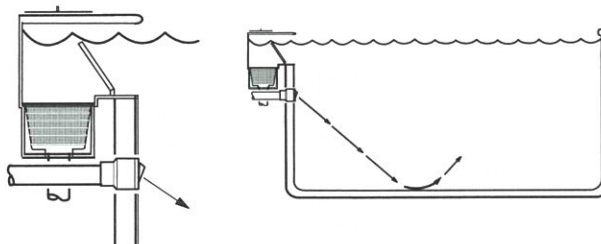
1. Manually vacuum the pool if excessive debris is present and make sure the pool filter and pump basket are clean.

2. **Adjust the return lines to blow downward to break up surface circulation and ensure complete cleaning coverage.**

- Loosen the fitting lock ring
- Redirect the eyeball downward
- Retighten the lock

If the return fitting cannot be adjusted,

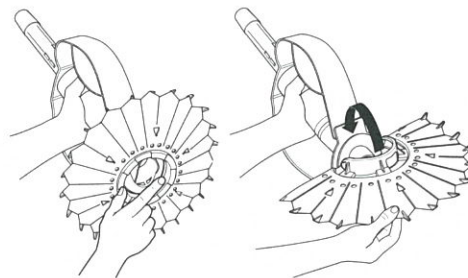
the fitting must be replaced with a ZPS return line diverter (part #W90153 for 1-1/2", #W90155 for 2" or #W24100 for pools without return fittings).



2

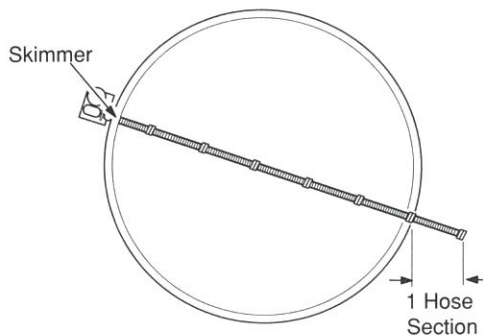
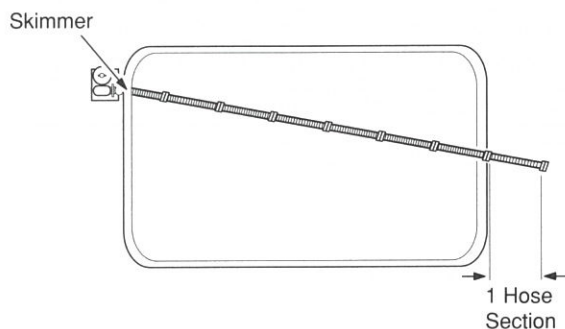
Assemble the Cleaner

Stretch the combi disc over the base of the cleaner with the fins of the disc facing up. The disc should fit securely in the groove provided and rotate freely.



3

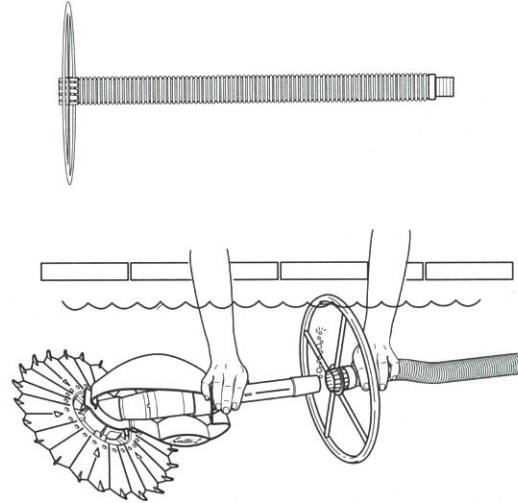
Assemble the Hose



4

Connect enough hose to reach the farthest point of the pool and then add one more section. Depending on the pool size, all sections may not be needed or additional sections may be required.

Slide the wheel deflector onto the end of the hose that attaches to the cleaner.



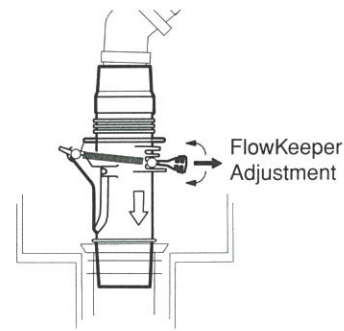
Connect the Cleaner

1. Submerge the cleaner and flood it with water. When bubbles stop coming from the extension pipe, connect the hose to the cleaner.
2. Turn on the filtration system and fill the hose with water by placing it in front of a return inlet until it is flooded. Turn off the pump.

5

Connect the Hose

The FlowKeeper Valve must be used on all installations. The valve regulates flow to ensure the pool pump and cleaner run properly. It is pre-set at the factory to optimize the performance of the cleaner, but offers three settings to adjust the flow. The lower the setting number, the lower the flow.



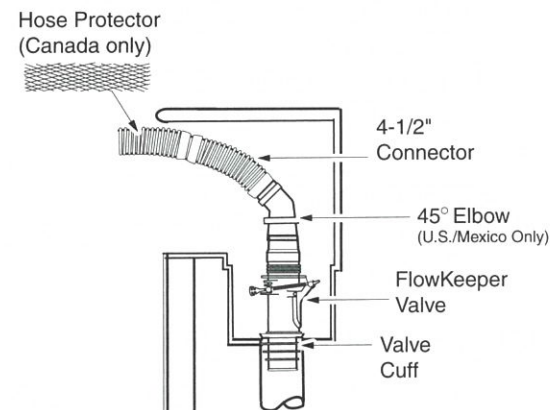
To adjust, pull the handle and move setting up or down. The red tab can be used to open the valve and stop the cleaner.

Install the FlowKeeper Valve with the arrow facing down towards the skimmer pipe.

Using the parts as indicated, connect the hose to the skimmer. For Canadian installations, the hose protector attaches to the hose section that goes into the skimmer.

Be sure to keep the hose and cleaner completely submerged to keep air out of the system.

Once the hose is connected, turn on the pool pump and begin cleaning. Installation is complete.



If further assistance is needed, contact Technical Services at 1-800-822-7933 in US/Mexico or 1-888-647-4004 in Canada.

Operation and Maintenance

To maintain cleaner performance:

- Thoroughly clean the skimmer basket, pump basket and filter regularly. **Always disconnect the cleaner before backwashing.**
- Always remove the cleaner from the pool before super chlorinating or adding pool chemicals. Wait at least four hours before re-connecting the cleaner.
- Never coil the hose. Straighten a coiled hose with warm water or by laying it in the sun for a day. **A kinked or coiled hose will adversely effect the cleaner's coverage of the pool.**
- When not in the pool, keep the disc flat to avoid warping.
- Periodically inspect cleaner parts for wear.

Clearing the Diaphragm

A quick-access system allows easy access to inspect and clear the diaphragm.

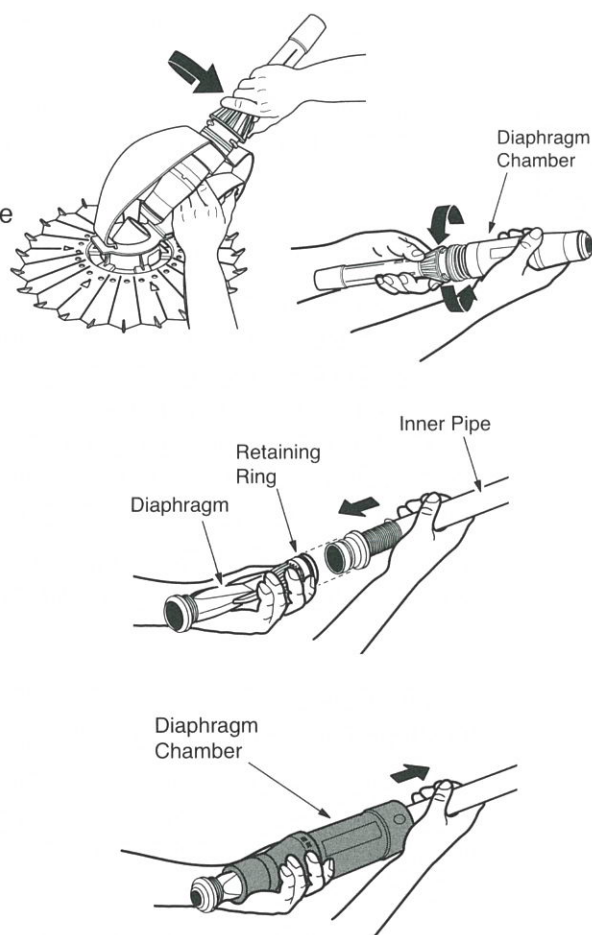
To remove:

1. Holding the frame, turn the handnut counter-clockwise and pull the cassette out of the cleaner.
2. Unscrew the diaphragm chamber from the cassette pipe. Pull out the inner pipe and diaphragm.
3. Pull the diaphragm off the inner pipe.

Inspect the diaphragm for debris or wear, and rinse it thoroughly with water. Replace it if necessary.

To install:

1. Verify that the retaining ring is on the diaphragm and push the diaphragm onto the inner pipe.
2. Pull inner pipe and diaphragm into diaphragm chamber and slide the chamber into the cassette. Tighten the cassette securely but do not over tighten.
3. Insert the cassette into the cleaner and turn the handnut clockwise until it locks into place. The line on the handnut should line up with the center ridge on the frame assembly.



Storage and Winterizing

Never coil the hose. Always store the cleaner out of direct sunlight. When storing for the winter, drain all water from the cleaner. Remove all connectors and adapters from the skimmer. Store the disc flat, and hose sections disconnected, drained and straight.

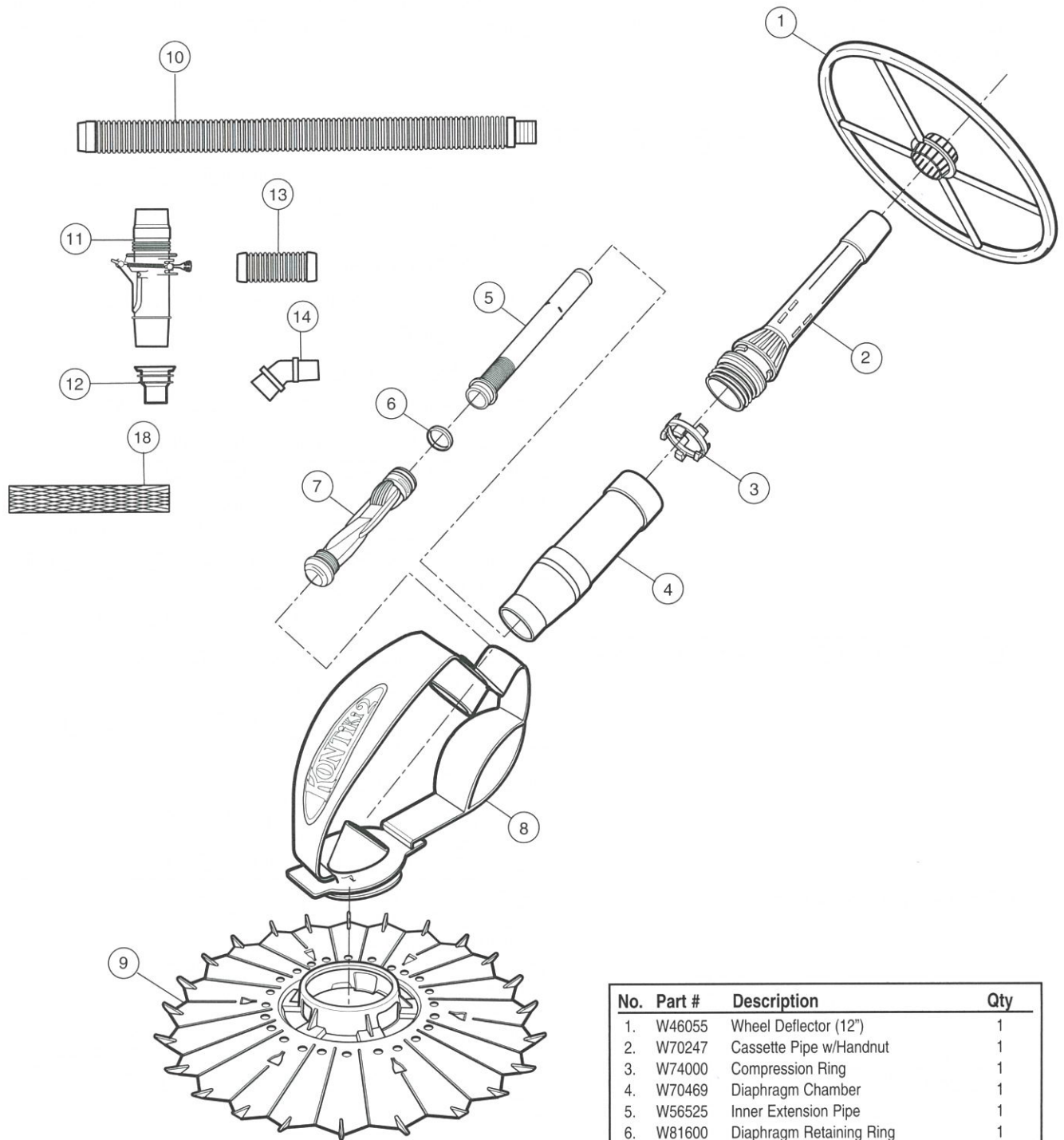
Troubleshooting

If you experience a problem with your Kontiki 2, please follow the troubleshooting steps below to restore performance. For further assistance, contact Customer Service at 1-800-822-7933 (US/Mex) or 1-888-647-4004 in Canada.

Problem	Solution
Cleaner does not move or moves slowly.	<p>Note: In water 60° F (16° C) or less, it may be necessary to increase flow to compensate for the reduced flexibility of the hose and diaphragm.</p> <ul style="list-style-type: none">• Ensure FlowKeeper Valve is installed with arrow pointing down towards skimmer pipe.• Adjust FlowKeeper Valve to increase flow to cleaner.• If pump has two speeds, make sure it is on high.• Clean baskets and filter.• Check diaphragm for blockage or wear damage.• If the pool has multiple skimmers, verify that the skimmer not connected to the cleaner is closed.• Check for air in system. If water level in pump basket drops or you see excessive air bubbles in the pump basket or coming from the return lines, there is air in the system. Check hose connections, tighten all fittings at pump and check gasket in pump basket for wear.
Cleaner patterns, does not cover entire pool.	<ul style="list-style-type: none">• Ensure return fittings are directed down. Add a return diverter if necessary.• Make sure hose does not have memory from being coiled. Lay in sun to straighten.• Confirm proper hose length.• Order a hose deflector set, part #W24209.• Use flow from return jet to guide cleaner.
Cleaner gets stuck at steps.	<ul style="list-style-type: none">• Use flow from return jet to guide cleaner.• Confirm proper hose length.• Lower the FlowKeeper Valve setting to reduce flow to the cleaner.• Order larger (16") wheel deflector, part #W46155.
Cleaner moves extremely fast or climbs walls.	<ul style="list-style-type: none">• Lower the FlowKeeper Valve setting to reduce flow to the cleaner.• Open a second skimmer if there is one.

Kontiki 2 Parts Diagram

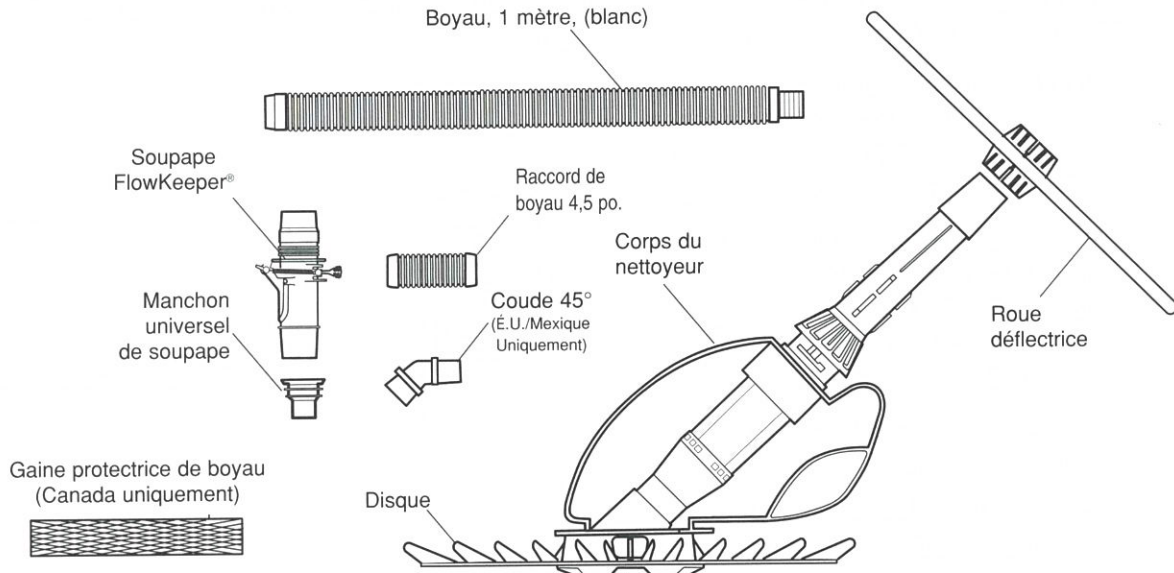
English



No.	Part #	Description	Qty
1.	W46055	Wheel Deflector (12")	1
2.	W70247	Cassette Pipe w/Handnut	1
3.	W74000	Compression Ring	1
4.	W70469	Diaphragm Chamber	1
5.	W56525	Inner Extension Pipe	1
6.	W81600	Diaphragm Retaining Ring	1
7.	W81710	Diaphragm	1
8.	W40926	Kontiki Frame Assembly	1
9.	W70466	Combi Disc	1
10.	W38205	Hose,1 Meter, White (US/Mexico)	9
	W38205	Hose,1 Metre, White (Canada)	10
11.	W60050	Flowkeeper Valve	1
12.	W70264	Aboveground Valve Cuff	1
13.	W33205	4 1/2" Connector	1
14.	W70244	45° Elbow (U.S./Mexico Only)	1
15.	W33800	Hose Protector (Canada)	1

Introduction

Merci d'avoir acheté un appareil de marque Koniki 2. L'appareil Kontiki 2 a été conçu et fabriqué pour être facilement installé et pour vous offrir des années de services sans souci d'entretien. Avant d'installer l'appareil de nettoyage, veuillez prendre un moment pour vous familiariser avec ses composants et pour vérifier la liste des pièces indiquée ci-dessous.



Informations importantes

Avis pour les piscines à garniture intérieure en vinyle : Avant d'installer votre nouvel appareil Kontiki 2, veuillez soigneusement vérifier l'intérieur de votre piscine. Si la garniture en vinyle apparaît friable, si des pierres, des plis, des racines, ou des pièces métalliques corrodées se trouvent sous cette garniture, ou si l'assise ou les murs de soutiens sont endommagés, adressez-vous à un professionnel compétent afin qu'il fasse les réparations nécessaires ou qu'il remplace la garniture avant l'installation de l'appareil de nettoyage. **ZPS n'assumera aucune responsabilité pour tout dommage à la garniture causé par un appareil de nettoyage en mauvais état, par le retrait d'une structure de garniture vinyle ou par l'utilisation de l'appareil de nettoyage dans une piscine dont la garniture est usée ou abîmée.** Veuillez consulter la garantie limitée.

- Nettoyez le panier de l'écumoire, le panier de la pompe et le filtre de la piscine avant d'installer l'appareil de nettoyage Kontiki 2, et ensuite entretenir régulièrement.
- Veuillez toujours débrancher le Kontiki 2 avant de nettoyer le filtre de la piscine à contre-courant. Après tout nettoyage, faites marcher le système de filtration pendant au moins cinq minutes avant de brancher à nouveau l'appareil de nettoyage.
- Veuillez toujours retirer le Kontiki 2 de la piscine avant de procéder à des traitements chimiques ou de choc. Après une superchloration de l'eau, attendez au moins quatre heures avant de réinstaller l'appareil de nettoyage.

Ces démarches vous assureront un service rapide si vous devez faire appel à votre garantie.

- Remplissez et renvoyez la fiche d'enregistrement de la garantie.
- Inscrivez les renseignements relatifs à votre achat.
- Joignez une photocopie de votre facture à ce document.

Date d'achat : _____ Fournisseur : _____

Numéro de série (situé en dessous de l'appareil) _____

Si une réparation ou un entretien sont nécessaires, vous n'aurez qu'à présenter votre Guide du propriétaire et votre facture à votre détaillant.

Installation

1

Préparation de la piscine

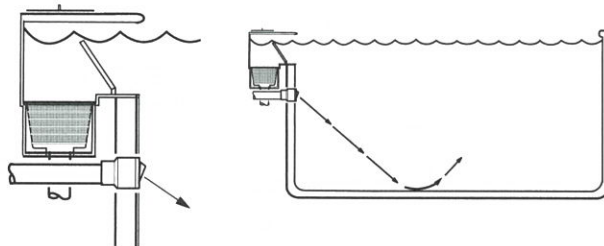
Inspectez l'intérieur de votre piscine. Si la garniture apparaît friable, si des plis, des racines, ou des pièces métalliques corrodées se trouvent sous cette garniture, ou si l'assise ou les murs de soutiens sont endommagés, n'installez pas l'appareil de nettoyage avant qu'un professionnel compétent n'ait effectué les réparations nécessaires.

1. Nettoyez manuellement la piscine avec un aspirateur si des débris sont présents en excès et vérifiez que le filtre de la piscine et le panier de la pompe sont propres.

2. Orientez les jets de refoulement vers le fond de la piscine pour interrompre la circulation à la surface pour garantir que le nettoyeur couvre la piscine au complet.

- Desserrez la bague de retenue
- Orientez la bille vers le bas
- Resserrez la bague de retenue

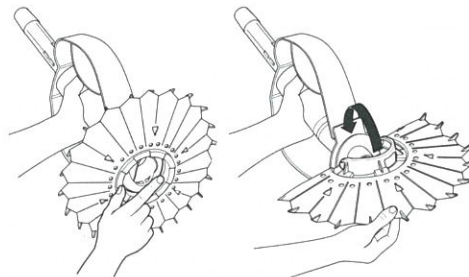
Si les jets de refoulement ne peuvent pas être ajustés, un déflecteur de retour est requis (pièce no. W90153 pour 1-1/2 po., no. W90155 pour 2 po. ou no. W24100 pour les piscines sans raccord de retour).



2

Montage de l'appareil de nettoyage

Étirez le disque sur la base de l'appareil avec les nageoires du disque sur la face supérieur. Le disque doit s'insérer fermement dans la rainure et tourner librement sur la coupelle.



3

Montage du boyau

Branchez une longueur suffisante de boyau pour atteindre le point le plus éloigné de la piscine et ajoutez une section supplémentaire.

