



*Providing
comfort with a
nonslip grip...*



*every customer,
every time!*



KOOLGRIPS.COM

KoolGrips LLC
7662 E Gray Road, Suite 102
Scottsdale, AZ 85260
Office: (480) 483-5416
Fax: (480) 483-5632
www.koolgrips.com

KoolGrips Comfort Covers for Swimming Pool and Spa Steel Handrails and Ladders

We at KoolGrips LLC have been manufacturing our KoolGrips Comfort Covers for over 15 years with nearly 300,000 pool and spa installations. Year 'round our customers enjoy the comfort and firmer hold than that of an uncovered rail, combined with the protection from the burn of the summer heat or when rails are too cold to hold during winter. KoolGrips Comfort Covers are also a great alternative to replacing expensive handrails and ladders due to stains, scratches, and dents as well as complimenting any yard and patio decorative motif.

BEST FROM ALL THE REST... What separates our KoolGrips Comfort Covers is the construction utilizing the highest quality materials, beginning with a top-of-the-line commercial grade Neoprene on the market and our EZ pull heavy-duty nylon zipper for a tight and secure nonslip handrail fit. The cover material consists of a strong pad and woven fabric blend of spandex, polyester, and nylon combined with improved UPF/UV inhibitors and an anti-microbial treatment that cannot be washed out to provide maximum life. We are so confident that the quality construction of our comfort covers provides us such a competitive advantage, we offer a one-year limited warranty.

- Available in 3 colors: Royal blue, Indian teal, and Desert tan
- 5 length sizes: 2', 4', 6', 8' and 10' (2' and 4' lengths are for rails 1.625" or less in diameter, 6', 8' and 10' lengths are for rails 1.9" in diameter)
- Base material: 3.5 mm solid CR neoprene
- Underside: smooth skin neoprene
- Cover material: heavy-duty, durable pad with custom blend spandex, polyester, and nylon
- Top-coat: elongated, screened SureGrip™
- UPF/UV and Anti-microbial natural inhibitors
- Zipper: larger EZ-Pull, #10 nylon
- Packaging: OEM sleeve

Installation and Care/Warranty Information

Before installing covers: Wet covers and rails in water first. Covers are made to fit very tight on rails to reduce slipping, therefore wetting the covers allows the material to stretch for a flexible installation to smooth the material around bends of the rail as you ZIP on the covers. Never use tools to install the covers. When installing covers on rails, 1.625 or larger, it is necessary to expand (stretch) the zipper entry end in order to mate the ends properly. **DO NOT USE TOOLS TO TRY TO ZIP COVERS ON RAILS. THIS WILL VOID YOUR WARRANTY!**

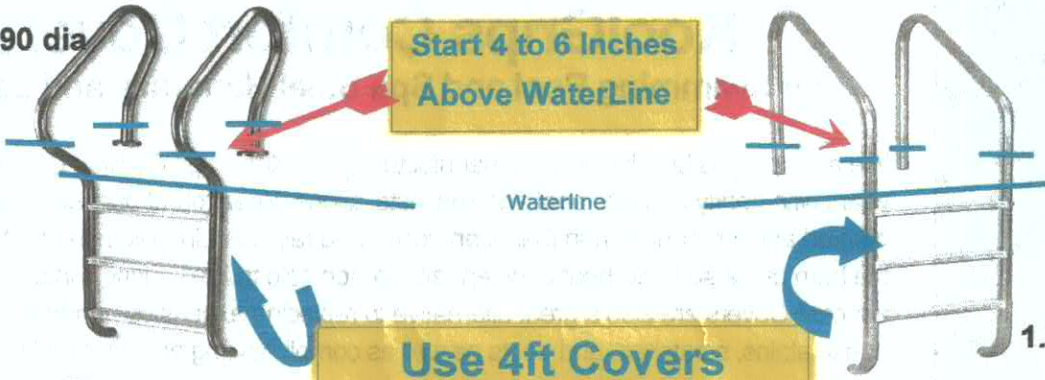
Installation: Wet the cover and rail, working from the water side to the deck side. Pull the ends of the cover together, starting with the zipper. Work the zipper up while pulling the sides of the cover together. Pull wrinkles out and smooth the cover as you work the zipper and cover up over the steel rail. Make sure you have the correct size of the cover to fit your rail. Covers are 1.90 in diameter. NOTE: Ladders are normally 1.90 diameter. The 4' cover is designed to fit and reduce slipping. The covers are also available in 6', 8', and 10' in 1.90 diameter fitting entry rails. **DO NOT MOUNT COVERS IN THE POOL OR SPA WATER. THIS WILL VOID YOUR WARRANTY!** Covers are to be mounted 4 to 6 inches above the waterline on rails that enter the pool or spa water.

Reasonable and necessary maintenance by consumer: Clean the covers every 4 to 6 weeks or sooner in hot weather or heavy-use conditions. Clean soiled covers with a mild soap like DAWN (not detergent). Remove the cover from the rails or clean it while fitted to rails. The covers are not machine-washable. Wash by hand in a warm water solution, scrubbing soiled areas. Rinse in cold water to remove all soap. Ring or run hand dry. Do not put in dryer. Do not use harsh solvent-type cleaners or so called protectants like Scotch-Guard or Amour-All to the covers. Our Koolgrip products now are manufactured in UPF/anti-microbial properties. If an additional UPF/UV protectant is desired, use a product like ATSKO UV BLOCK - PN# KGS2344UV, or 303 Products Protectant.

Disclaimer: Pool chemicals, chlorine products, solvent cleaners, suntan lotions, natural body oils, calcium and ultraviolet light may damage, fade, soil or create stains that cannot be removed.

1.625 to 1.90 dia

Start 4 to 6 Inches Above WaterLine



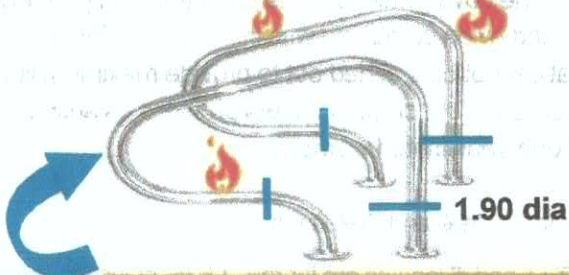
Use 4ft Covers

1.625 to 1.90 dia



1.625 to 1.90 dia

1.625 to 1.90 dia



1.90 dia

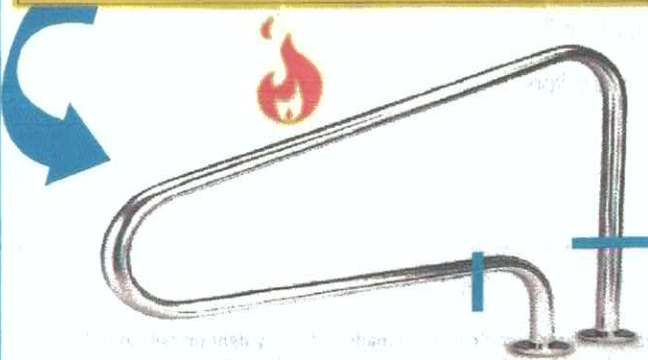


1.90 dia

Use 6ft Covers

Use 8ft Covers

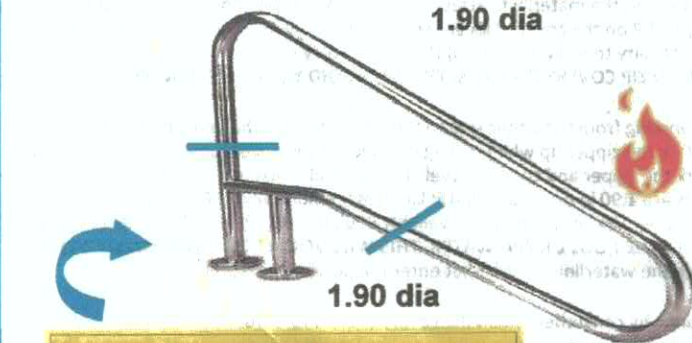
USE 8FT COVERS



1.90 dia

Start 4 to 6 inches Above WaterLine back to the deck or desired length

Use 6,8 or 10ft Covers



1.90 dia

Waterline

Start 4 to 6 Inches Above WaterLine back to the deck or desired length

1.90 dia

Use 10ft Covers

Fighting UV Fade With UPF 45+ A UV Block Built Into Every Cover

Koolgrip LLC. Koolgrip Products, Scottsdale AZ USA 480-483-5416 Providing Comfort 4 - 15 years

