

DOMINICA RESIN IN & OUT FLIP UP LADDER

MODEL AC 22489

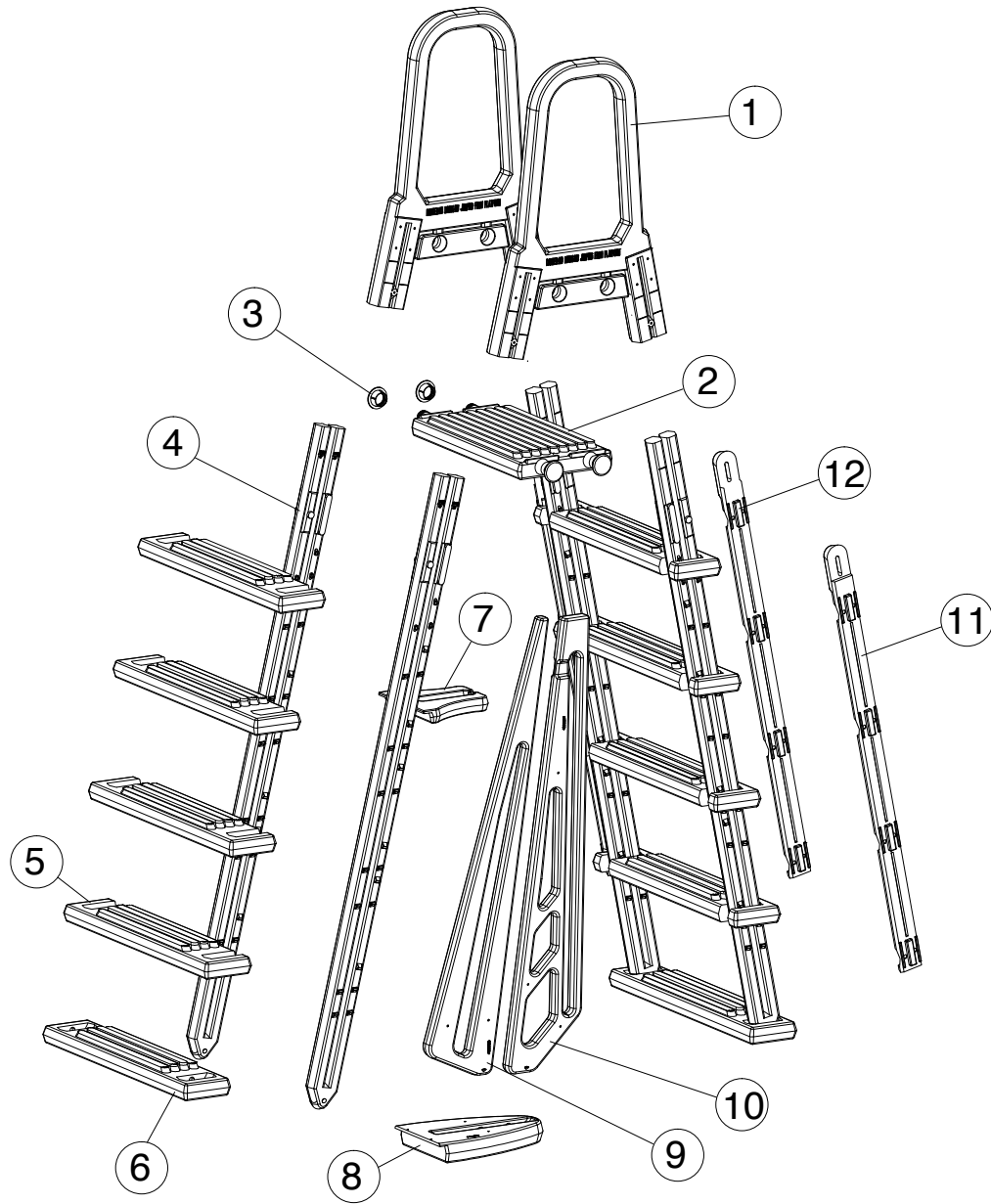


- NOTE**
- FOR SAFETY PURPOSES ALL LADDERS SHOULD BE SECURED BY ATTACHING THEM TO THE TOP LEDGE OF THE POOL. (See step 13 for details)
 - In order for the ladder to sit properly, it must be weighted in place using approximately **40 Lbs. of Sand.** (See step 9 for details)

TOOLS REQUIRED

- Small rubber mallet or hammer w/piece of wood
- Phillips head screwdriver or screw gun
- 5/16" Drill Bit
- Pliers
- Lubricant
- 40 lbs. of sand (sold separately)
- Funnel
- Hacksaw

DOMINICA LADDER PARTS



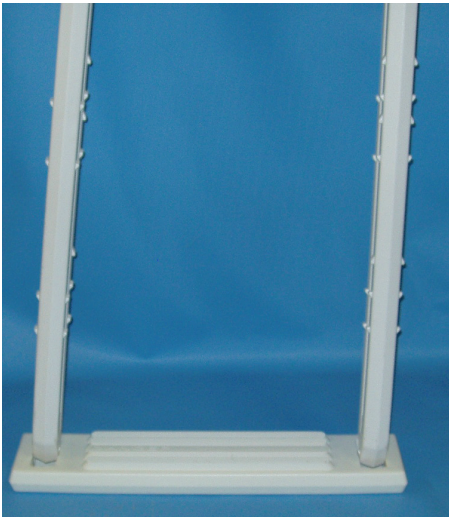
PART #	MODEL #	DESCRIPTION	QTY
1	AC 01127	Handrail	2
2	AC PLATFORM	Platform	1
3	AC LOCKCAP	Lock Cap	4
4	AC 01129	Capri Leg	2
5	AC MKSTEP	Upper Step	4
6	AC BTSTEP	Bottom Step	1
7	AC 01125	Upper Brace	1
8	AC 01126	Lower Brace	1
9	AC 01124	Small Barrier	1
10	AC 01123	Large Barrier	1
11	AC STEPCONL	Left Step Connection	1
12	AC STEPCONR	Right Step Connection	1

IMPORTANT SAFETY INSTRUCTIONS PLEASE READ PRIOR TO ASSEMBLY/USE

The Ladder must be installed based on **Manufacturer's Instructions**

- One person on the Ladder/Stair at a time
- This Ladder is designed and manufactured for a specific Pool Wall Height and/or Deck of the Pool
- For Entry/Exit of pool, face the ladder at all times
- Remove and secure Ladder when pool is not occupied
- The Ladder will be suitable up to 54" Maximum Pool Height

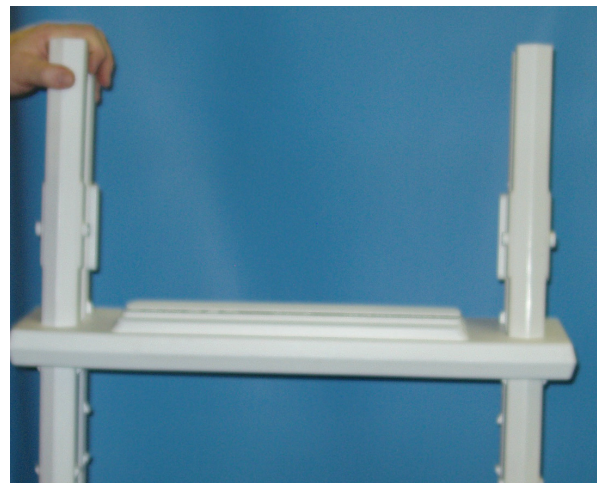
STEP 1



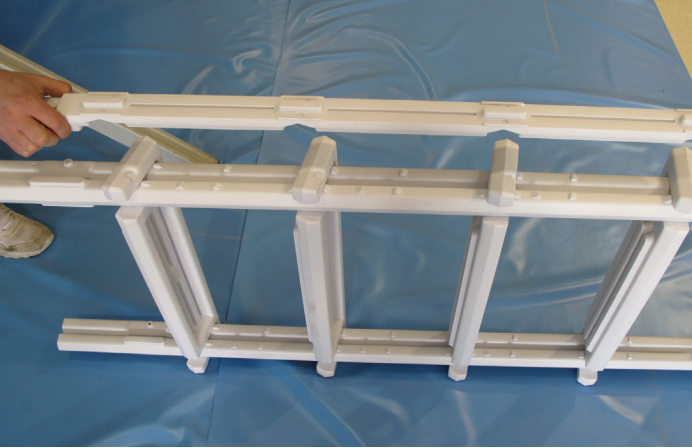
- Place the bottom step (**AC BTSTEP**) on a level surface with indentations facing up.
- Take leg (**AC 01129**) and stand upright (pointy side down). When installed on bottom step, the leg will need to have the raised areas facing inward. The raised area with the pre-drilled screw hole should be at the front of the ladder toward the top of the leg.
- Place the left leg into the indentation on the left side of the step and push straight down until it clicks into place.
- Repeat above for right leg on right side of step

STEP 2

- There are two sets of lug locations on the legs (**AC 01129**) in the areas where each step will be installed. Each step should be installed into the **UPPER** set of lugs only.
- Locate one of the four groups of lugs and slide step (**AC MKSTEP**) into the set of lugs on the legs so it clicks into place.
- Repeat for each of the remaining **(3)** steps.
- Secure the top step **ONLY** by screwing (1) #10 x 1-1/4" screw into each side of the step through the pre-marked leg openings.



STEP 3

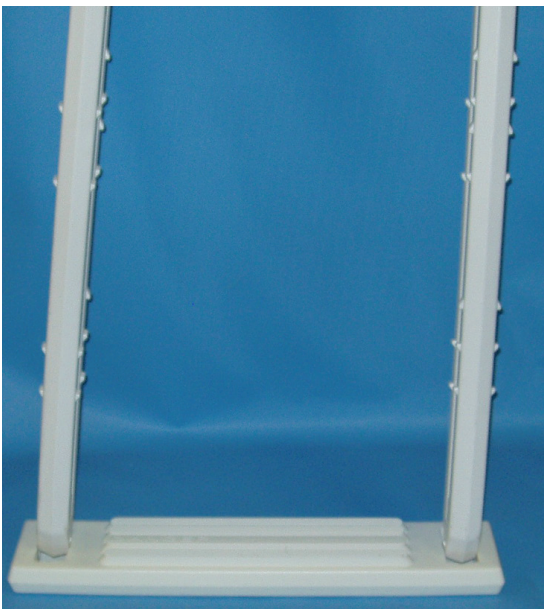


- Locate step connectors (**AC STEPCONL** and **AC STEPCONR**) which will be installed to hold the steps in place. There is a right and a left step connector, **they are NOT interchangeable**. The angle of the connector will allow for installation on only **ONE** side of the steps. Check the top of the connectors for the raised left and right markings.
- Line up rounded area of left step connector with pre drilled hole at top of leg. Remember, only one of these connectors will fit properly on the left side.

- Place washer on bolt and insert from **INSIDE** of ladder thru leg and step connector. Insert a second washer on end of bolt and screw on nut. Do not over tighten.
- Repeat above steps for the right step connector with the remaining bolt, washers and nut.
- To attach step connectors to steps, secure with **(2) #10 x 1/4"** screw through each pre-marked openings on the step connectors into steps on left and right sides, except top step.
- Once completed set this half of the ladder aside and proceed to **STEP 4**.



STEP 4



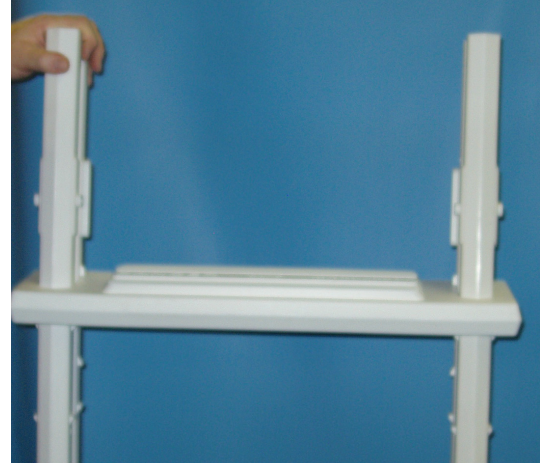
NOTE STEP 4 IS SIMILAR TO STEP 1

- Place the bottom step (**AC BTSTEP**) on a level surface with indentations facing up.
- Take leg (**AC 01129**) and stand upright (pointy side down). When installed on bottom step, the leg will need to have the raised areas facing inward. The raised area with the pre-drilled screw hole should be at the front of the ladder toward the top of the leg.
- Place the left leg into the indentation on the left side of the step and push straight down until it clicks into place.
- Repeat above for right leg on right side of step

STEP 5

- There are two sets of lug locations on the legs (**AC 01129**) in the areas where each step will be installed. Each step should be installed into the **UPPER** set of lugs only.
- Locate one of the four groups of lugs and slide step (**AC MKSTEP**) into the set of lugs on the legs so it clicks into place.
- Repeat for each of the remaining **(3)** steps.
- Secure **ALL STEPS** by screwing **(1)** #10 x 1-1/4" screw into each side of the step through the pre-marked leg openings.

NOTE No Step Connectors are used in this step



STEP 6



- Place the Lower Base (**AC 01126**) on a level surface.
- Snap Large Barrier (**AC 01123**) into the groove on the lower base facing round edge.
- Snap Small Barrier (**AC 01124**) into the groove on the lower base facing the straight side.



- Slide Upper Brace (**AC 01125**) over Small Barrier as shown.



- Slide Upper Brace (**AC 01125**) through the groove in the Large Barrier and push down lightly to secure.



- Screw Lower Base of Entrapment Barrier into bottom step of the Inside Portion of the Ladder with **(2)** #10 x 1-1/4" screws. (This is the side **WITHOUT FLIP UP STEPS!**)

STEP 6 CONT.



- Screw Upper Brace of Entrapment Barrier into the third step of the Inside Portion of the Ladder with (2) #10 x 1-1/4" screws.
(This is the side **WITHOUT FLIP UP STEPS!**)

FOR 52" POOLS CONTINUE WITH STEP 7
FOR 48" POOLS SKIP TO STEP # 8
FOR 54" POOLS SKIP TO STEP # 9

STEP 7

52" POOLS

- This ladder is designed to fit multiple pool heights. **ONLY FOLLOW THIS STEP IF YOUR POOL HEIGHT IS 52"**.
- Locate the first line on the Handrail (AC 01127) of the ladder.
- Using a hacksaw cut the Handrail evenly through both sides.



STEP 8

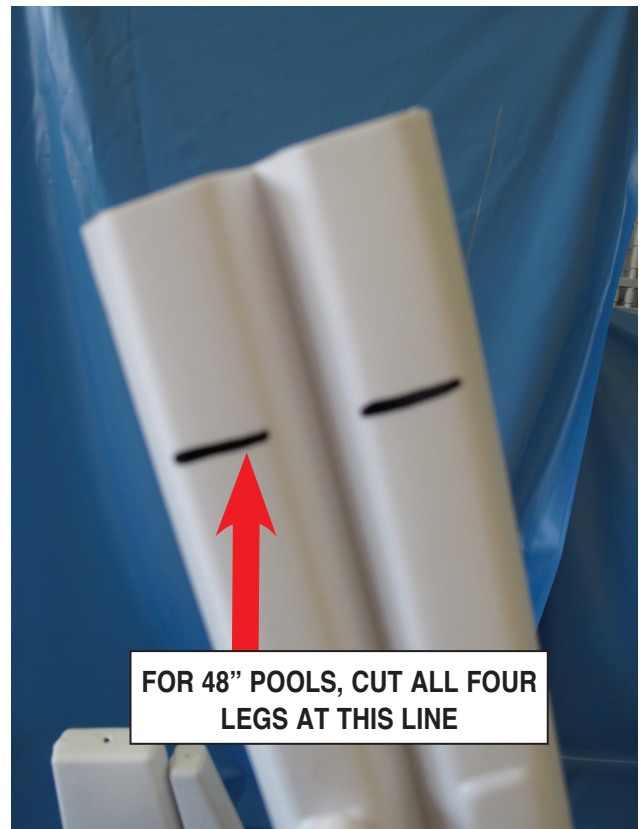


48" POOLS

- This ladder is designed to fit multiple pool heights. **ONLY FOLLOW THIS STEP IF YOUR POOL HEIGHT IS 48"**.
- Locate the second line on the Handrail (**AC 01127**) of the ladder.
- Using a hacksaw cut the Handrail evenly through both sides.

- This Ladder is designed to fit multiple pool heights. **ONLY FOLLOW THIS STEP IF YOUR POOL HEIGHT IS 48"**.
- Locate the leg (**AC MKLEG**) on both assembled sides of the ladder.
- Find the line towards the top of the leg.
- Using a hacksaw cut all four (4) legs evenly.

48" POOLS

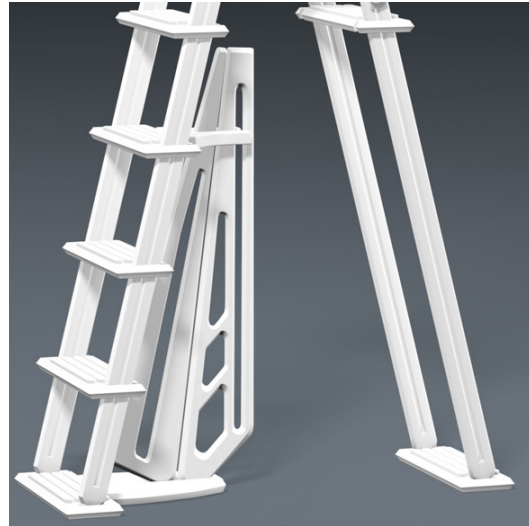


FOR 54" POOLS NO MODIFICATIONS ARE NECESSARY

STEP 9



FILL LEGS WITH SAND
USING A FUNNEL



- Locate the interior portion of the ladder. This is the portion of the ladder that has the entrapment barrier attached to it.
- Using a funnel fill both legs with sand. Use approximately 20 Lbs. of sand in each leg.

STEP 10

- Lay one handrail (**AC 01127**) on a flat surface and push the connected dowels of the platform into the openings on the handrail until fully seated. Make sure treads of platform are facing upward.
- Attach the second handrail (**AC 01127**) to the platform the same way.



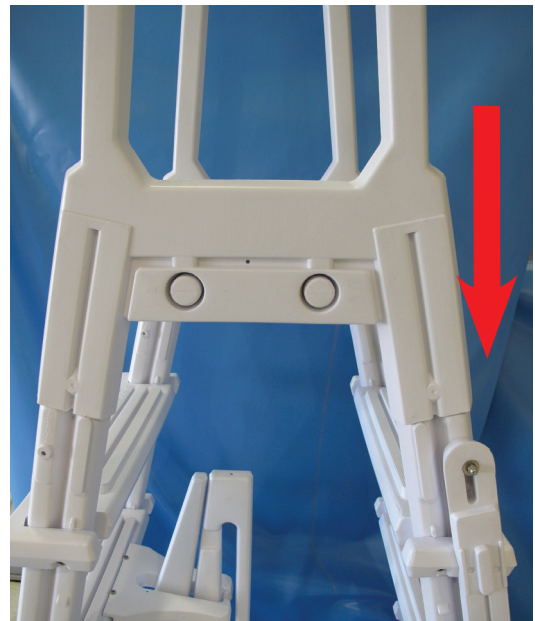
STEP 10 CONT.



- Center locking cap (**AC LOCKCAP**) over opening on side of handrail where platform was just attached. Using a rubber mallet or a hammer and a small piece of wood, tap on cap until the cap is flush with the Handrail.
- Repeat for each of the remaining **(3)** locking caps.

STEP 11

- Coat the tops of the legs with Blue Seal™ O-Ring Lube or liquid soap and attach handrails by pushing them down over the legs.



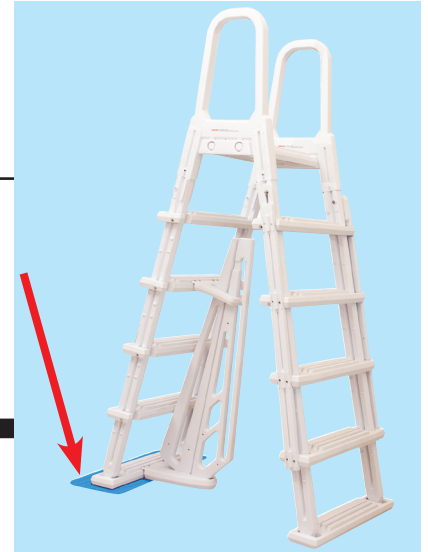
- Secure all handrails (**AC 01127**) to the legs with **(4)** #10 1-1/4" screws through each of the pre-marked openings.

STEP 12

- Place assembled ladder inside the pool where you would like to enter and exit. The entrapment barrier should be inside of the pool.
- Once the ladder is placed in the pool, tip the ladder forwards and backwards and side to side to release any air that may be trapped inside.

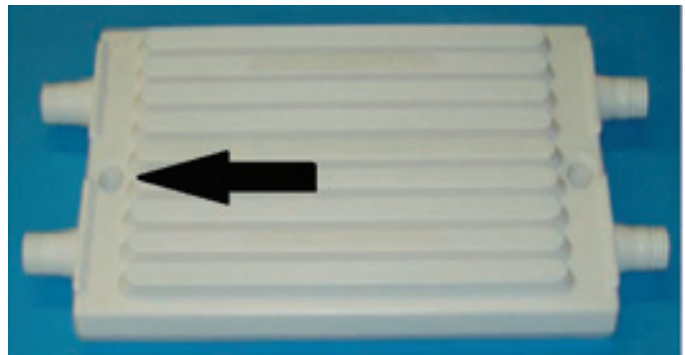


NOTE When a Ladder is installed it is recommended that a Step Mat be installed underneath the bottom step (as shown).
THIS ITEM IS SOLD SEPARATELY.



STEP 13

- All pool ladders are required to be secured to the frame of the pool.
- There are **2 OPENINGS** in the platform of the ladder.
- Line the two holes up on the top rail of the pool. With a fine tip marker mark the location of the holes.
- Attach the ladder to the pool sliding the mounting hardware through the platform
- Tighten the nut and make sure the ladder is secure.



SAFETY INFORMATION

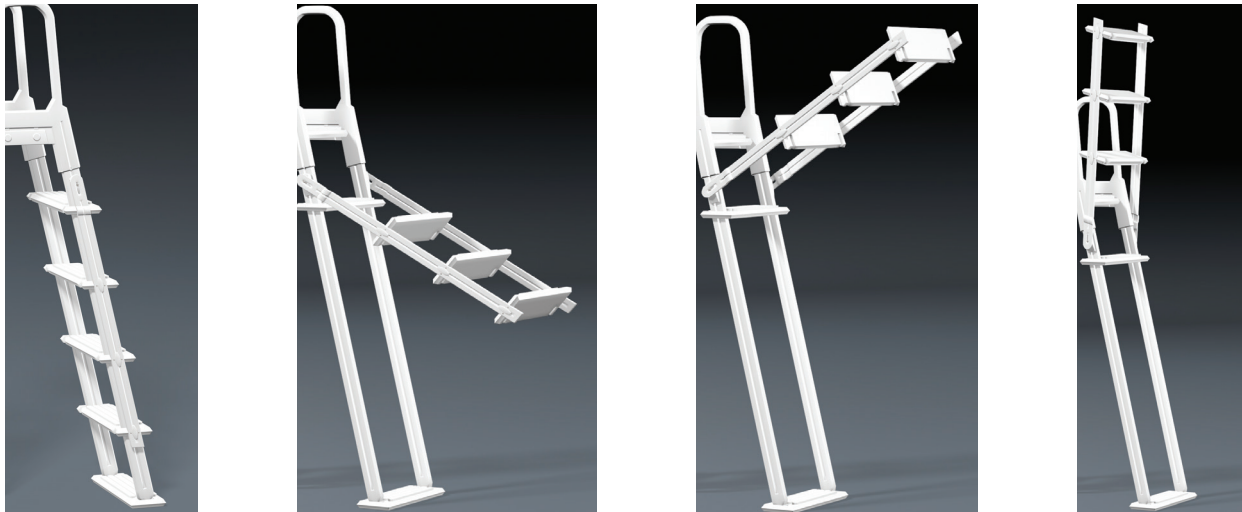
- To avoid injury when lifting heavy or awkward loads, it is suggested that two people lift the object.
- **DO NOT** use the pool entry system for any purpose other than that for which it is intended.
- Maximum weight on steps should **NOT EXCEED 250 lbs.**



WARNING

Exceeding the recommended weight limit may cause the step to fail and may result in injury.

LADDER SWINGS UP AND LOCKS IN PLACE



NOTE You have purchased a Flip-up Ladder. When the pool is not in use the ladder should be flipped up and locked into place by pushing down on the step portion of the ladder.

MAINTENANCE

- Step/ladder/bridges must be removed for winter. Failure to do so can cause the step to crack.
- When removing step/ladder/bridges for winter, it is recommended that you spray down step with hose water to rinse off any chemical residual prior to storing.
- When storing step/ladder/bridges for winter, it should be protected from the elements and stored either in a shed or garage, or covered with a tarp.

DANGER

WARNING

To prevent
Entrapment or
Drowning,
DO NOT SWIM
through, behind
or around the
ladder

DANGER

**SAFETY
NOTICE
IMPORTANT**

DANGER

Entry/Exit of
Pool,
Face the
Ladder at
all times

DANGER

**PLEASE
READ
BEFORE
USING
THIS
LADDER**

DANGER

When
NOT IN USE
remove or
secure ladder
when the pool
is not
Occupied

DANGER



Blue Torrent manufactures all of its products using cutting-edge technology with the best materials and workmanship available.

Blue Torrent's ENTRY SYSTEMS, LADDERS AND STEPS are warranted as follows:

1 YEAR LIMITED WARRANTY

Blue Torrent warrants its Entry Systems, Ladders and Steps to be free of defects in material and/or workmanship for a period of one year from the original date of purchase.

WARRANTY CLAIM EXCLUSIONS:

- Damage caused by improper installation as specified in owner's manual
- Damage caused by improper handling
- Damage due to misuse, abuse and/or failure to operate item per owner's manual
- Damage caused by improper water chemistry
- Damage caused by improper winterization of equipment
- Damage caused by not using original replacement parts
- Accidental damage, fire, acts of God or other circumstances outside of **Blue Torrent's** control

NOTE:

- Customer must retain the original sales invoice as proof of purchase along
- Commercial facilities are not covered by warranty

Please return any and all defective items to your local authorized **Blue Torrent** dealer for inspection.

The customer is responsible for all shipping charges to and from the nearest Factory Warranty Center. For more information. Please visit www.btwarranty.com

Should a defect in material or workmanship appear the product will be repaired or replaced at our discretion. Neither **Blue Torrent** nor any authorized dealer is responsible for any charges related to the installation of the new item or part. Nor are they responsible for any incidental charges incurred including, but not limited to, water, chemicals, landscaping or any other associated expenses.