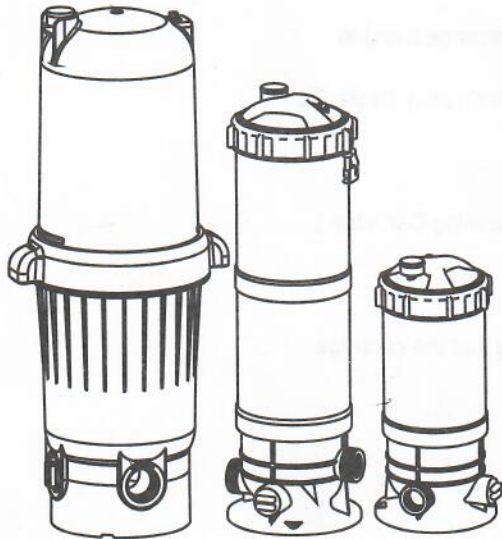


CARTRIDGE FILTER OPERATING INSTRUCTION



FILTER LOCATION

It is important to first determine where your pump and filter will be located. If above the water line, a self-priming pump must be used. Self-priming pumps have the ability to lift water from a lower level and prime automatically.

1. Since plumbing fittings offer a resistance to water flow, position the filter as close to the swimming pool as local codes allow. Keep the number of fittings to a minimum. Select a well drained area, one that will not flood when it rains.
2. Set the filter on a solid, level surface. Be sure filter, pump, drain and pressure gauge are accessible for convenient operation.
3. Position the filter so the tank can drain by gravity.
4. If practical, place pump and filter in the shade to shield it from continuous, direct heat from the sun.

PLUMBING

1. Use 1-1/2" or 2" piping. When making permanent connections, be sure to provide unions for easy servicing.
2. Refer to the diagrams for basic suggested valving. Ball valves are recommended where needed. While all systems vary, the main consideration is to provide the desired control of water flow from the pool to the pump and filter, and back to the pool. When the filter is located below water level, provide valves to prevent back flow of water to the filter during cleaning and routine servicing.
3. All plumbing on the Star-Clear Plus filter are 1-1/2" or 2" N.P.T. or socket (solvent weld). When making threaded connections to the filter use plastic adapters. Apply three turns of Teflon tape (or use special plastic pipe sealant) to male threads. Screw the fitting into the thread hand tight; then using a wrench, tighten one more full turn. Additional tightening is unnecessary and result in broken or damaged fittings.
4. Connect the pool suction plumbing between the skimmer, pool outlet, etc. and the pump.
5. Install the pool return plumbing.
6. If pressure gauge is not installed, apply Teflon tape to the gauge threads, and carefully screw the gauge into the threaded hole in the filter head.
7. A filter drain plug is furnished with each filter and is all that is needed for complete filter draining. A manual air relief valve is furnished to aid in bleeding off unwanted air when starting the filter. The auto air relief provides air removal during operation.
8. All electrical connections should be made in accordance with local codes.
9. Check for joint leaks before operating.
10. Refer to pump instruction booklet for pump information.

STARTING THE FILTER

Be sure filter drain plug is closed. Open manual air relief valve a few turns and open the suction and return valves

(when used). **CAUTION:** All suction and discharge valves must be open when starting the system. Failure to do so could cause severe personal injury and/or property damage. Be sure locking knob is secure (hand tighten--only slight pressure is required).

Stand clear of the filter and prime and start the pump, following the manufacturer's instructions.

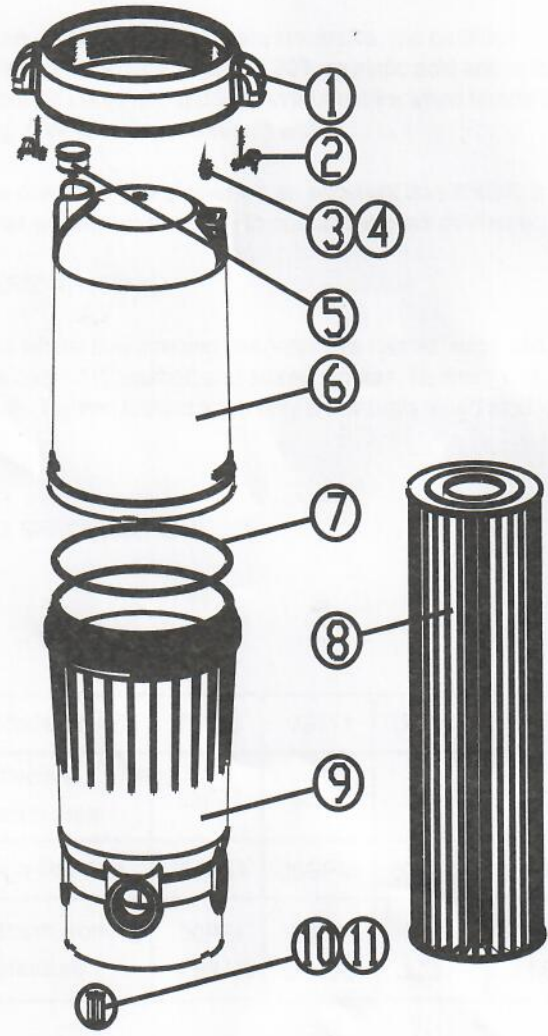
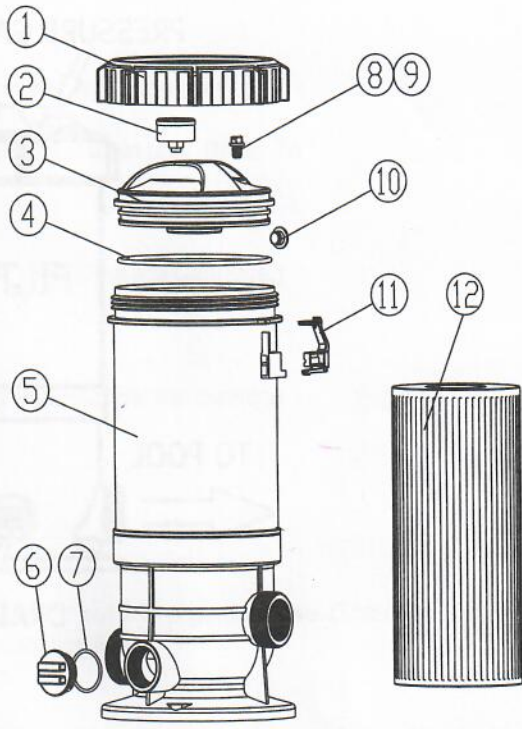
Air trapped in the system will automatically vent to the pool and out air relief valve. Close air relief valve as soon as air is vented.

FILTERING

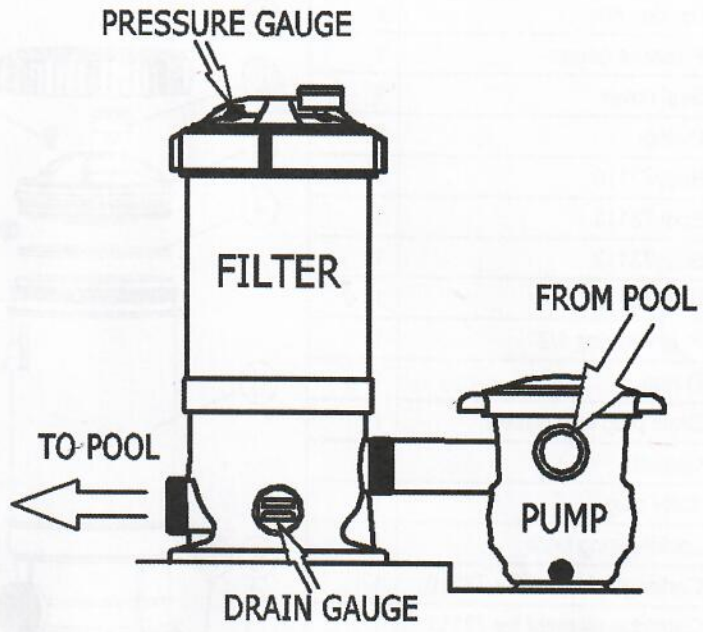
Filtration starts as soon as flow is steady through the filter. As the filter cartridge removes dirt from the pool water, the accumulated dirt causes a resistance to flow. As a result, the gauge pressure will rise and the flow will decrease.

When the pressure rises 7-10 psi (.49-.70 Bar) above the starting pressure, or when flow decreases below desired rate, clean or replace the filter cartridge.

NO.	PSRT NO.	DESCRIPTION	QTY				
1	47311001	Locking ring	1				
2	5024002000	Pressure gauge	1				
3	47311004	Seal cover	1				
4	5431045080	O-ring	1				
5a	647311074000	Body73110	1				
5b	647311171000	Body73111	1				
5c	647311271000	Body73112	1				
5d	647311371000	Body73113	1				
6	49121501	Plug w/o-ring 1/2"	1				
7	5431021080	O-ring	1				
8	48860105	Drain plug with gasket	1				
9	5432002080	Gasket	1				
10	47311008	Safy plug	1				
11	47311009	Locking Iring latch	1				
12a	65022001000	Cartridge element for 73110	1				
12b	65022002000	Cartridge element for 73111	1				
12c	65022003000	Cartridge element for 73112	1 </tr <tr> <td>12d</td> <td>65022004000</td> <td>Cartridge element for 73113</td> <td>1</td> </tr>	12d	65022004000	Cartridge element for 73113	1
12d	65022004000	Cartridge element for 73113	1				



NO.	PSRT NO.	DESCRIPTION	QTY
1	47310303080	Locking ring	1
2	47310304080	Locking ring latch	1
3	48860105080	Drain plug with gasket	1
4	5432002080	Gasket	1
5	5024002000	Pressure gauge	1
6	47310302080	Seal cover	1
7	5431093080	O-ring	1
8a	5022035000	Cartridge element for 73103000	1
8b	5022036000	Cartridge element for 73103001	1
8c	5022037000	Cartridge element for 73103002	1
9	473103010804	Body	1
10	9102607080	Plug w/o-ring 2"	1
11	5431030080	O-ring	1



NO.	DESCRIPTION	QTY	UNIT
1			
2			
3			
4			
5			
6			
7			
8			
9			
10			
11			
12			
13			
14			
15			
16			
17			
18			
19			
20			
21			
22			
23			
24			
25			
26			
27			
28			
29			
30			
31			
32			
33			
34			
35			
36			
37			
38			
39			
40			
41			
42			
43			
44			
45			
46			
47			
48			
49			
50			

