



## IMPORTANT

### OPERATING INSTRUCTIONS MANUAL

English • Español • Français

## HELPFUL HINTS & TIPS

MEETS ASTM SAFETY STANDARD FOR POOL ALARMS



**MODEL PGRM - 2**

**85dB Horn at 10 Feet**

This product has been designed to aid in the detection of unwanted intrusions into unsupervised pools. POOLGUARD IS A SAFETY ALARM SYSTEM AND NOT A LIFE SAVING DEVICE. "This device is not intended to replace any other safety consideration - i.e., adult supervision, lifeguards, fences, gates, pool covers, locks, etc., and some devices may not detect gradual entry."

## GENERAL

POOLGUARD is the result of quality design and manufacturing techniques that are a standard at PBM Industries, Inc.; a company dedicated to high quality products. POOLGUARD is a result of that dedication and we guarantee and stand behind the POOLGUARD alarm system. POOLGUARD pool alarms are verified by ETL to the ASTM safety and performance standard for pool alarms, ASTM F2208. POOLGUARD is an electronic monitoring system that automatically sounds an alarm when children or pets fall into your unsupervised pool. POOLGUARD pool alarms are designed to detect intrusions similar to a one year old child weighing 18 pounds and up. POOLGUARD is a portable, self-contained, lightweight unit that is safe and simple to operate. Entry into the pool will be detected by the unit's electronic sensor, triggering a loud pulsating alarm and an internal RF transmitter. The remote receiver will receive the transmitted signal and sound an alarm within the home.

## INSPECTION

POOLGUARD is packaged in a shipping carton that minimizes the chance of damage due to handling. Check for damage and confirm that the contents of the carton include the following items:

- POOLGUARD Unit
- Handle
- Remote Receiver and Power Supply
- Operating Instructions Manual
- Warranty and Registration Card

If an item is missing, contact either the place of purchase or PBM Industries, Inc. for replacement.

## CARE AND HANDLING

POOLGUARD is constructed from sturdy plastic to withstand the adverse moisture environment of a swimming pool. **Care needs to be taken when handling to ensure against being dropped, kicked, etc. Also, be sure to remove the pool unit and set it away from activity in the upright position when the pool is being used. (See Figure 1)**

If the pool unit accidentally falls into your pool, remove it immediately and drain the water from it. Take the unit apart as indicated in the Battery Replacement Procedure and remove the battery. Tip and shake unit and remove all excess water from inside the unit and the battery, and the circuit board area with a paper towel or cloth. Completely test unit before each use as described in manual to ensure proper operation. **(Remember to always remove the pool unit from the pool while swimming and set it aside away from pool activity).**

## ATTACHING HANDLE

The two handle screws are located in the top of the alarm, remove them and attach the handle, (See Figure 1)

## INSTALLING YOUR ALARM

### RESET/SLEEP SWITCH (SEE FIGURE 1)

**RESET:** When the pool unit is installed in the pool and the horn is sounding; press the reset/sleep switch once to silence the alarm.

**SLEEP MODE:** When the pool unit is removed from the pool and the horn is sounding; press and hold the reset/sleep switch for 3 seconds to silence the alarm. The pool unit will automatically wake up when it is installed into the pool. **THE POOL UNIT WILL NOT GO INTO SLEEP MODE ONCE IT IS INSTALLED IN THE POOL!**

## **SILENT INSTALLATION AND REMOVAL FEATURE**

• The poolguard system will sound an alarm (Horn will sound) when you install or remove the pool unit from your pool. If you would like the poolguard system not to sound an alarm (horn will not sound) when you install or remove the pool unit from your pool, follow the directions below.

### **1. SILENT INSTALLATION (HORN WILL NOT SOUND)**

• Press and hold the reset/sleep switch for 3 seconds, until you hear the pool units horn chirp. Release the reset/sleep switch, you now have 15 seconds to **gently** install the pool unit into your pool without the horn sounding. **Note:** This feature allows the pool unit's sensor to move one time without the alarm sounding. If the pool unit is not installed gently the alarm may sound.

**POOLGUARD WILL INSTANTLY BE MONITORING YOUR POOL FOR AN INTRUSION.**

### **2. SILENT REMOVAL (HORN WILL NOT SOUND)**

• Before removing the pool unit from your pool. Press and hold the reset/sleep switch for 3 seconds, until you hear the pool units horn chirp. Release the reset/sleep switch, you now have 5 seconds to remove the pool unit from your pool without the horn sounding. **IMPORTANT: THIS DOES NOT TURN POOLGUARD OFF, IF THE POOL UNIT IS NOT REMOVED IT WILL CONTINUE TO MONITOR YOUR POOL FOR AN INTRUSION.**

**3. POOLGUARD HAS DESIGNED THIS FEATURE FOR “ONLY” THOSE WHO HAVE THE RESPONSIBILITY OF INSTALLING OR REMOVING THE ALARM FROM YOUR POOL!**

## **BATTERY INSTALLATION / REPLACEMENT**

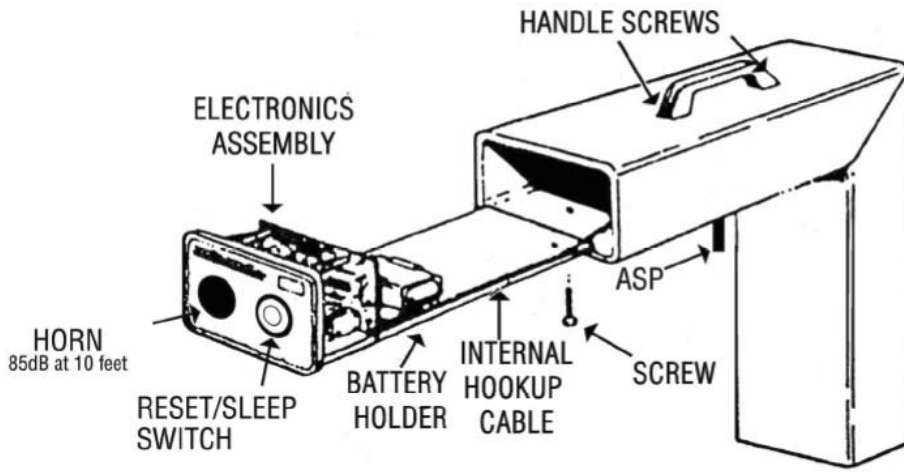
(Battery not included)

POOLGUARD is powered by a standard 9 -volt alkaline battery. To install or replace the battery:

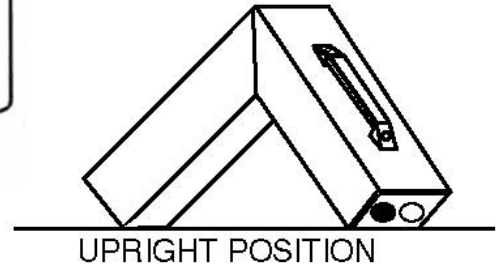
- Remove the screw from the bottom of the unit, refer to Figure 1.
  - Carefully slide out electronics assembly; do not pull or jerk on internal hook up cable. (If necessary, gently shake unit to remove assembly.)
  - Remove old battery and check for leakage or corrosion. (Remove any leakage or corrosion if present before installing new battery.)
  - **IMPORTANT: WHEN A 9V BATTERY IS FIRST INSTALLED IN THE POOL UNIT, THE HORN WILL SOUND. TO SILENCE THE ALARM PRESS AND HOLD THE RESET/SLEEP SWITCH FOR 3 SECONDS. THIS PLACES THE POOL UNIT IN SLEEP MODE. THE POOL UNIT WILL AUTOMATICALLY WAKE UP WHEN IT IS INSTALLED INTO THE POOL.**
  - Install new battery by attaching snap connection and sliding into battery holder.
  - Slide electronics assembly into pool unit (Refer to Figure 1 to make sure the electronic assembly is installed correctly); do not pinch internal hookup cable.
  - Replace the screw, hand tighten until screw is all the way in and flush against the pool unit.
- To prevent possible damage, battery should be removed whenever storing the alarm, for an extended period of time.

## **LOW BATTERY FUNCTION**

The POOL UNIT AND THE REMOTE RECEIVER will beep once approximately every 20 seconds to alert you that the battery is low in the pool unit and needs to be replaced.

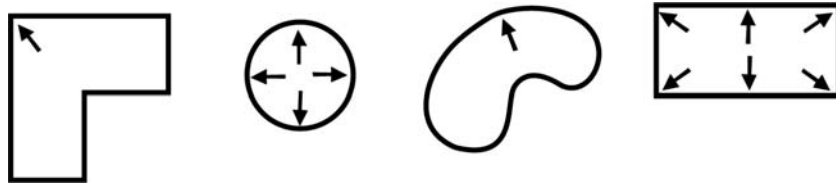


## **POOL UNIT** **FIGURE 1**



### **PLACEMENT IN YOUR POOL**

Figure 2 illustrates locations best suited for detecting intrusions from any area of the pool. If your pool is larger than 800 square feet, if you have more than 2 return lines, any concerns about the size, or if you have an irregular shaped pool, please call customer service to clarify the recommended number of alarms and locations for alarms: 1-800-242-7163. Poolguard pool alarms have been tested and certified by ETL, to the ASTM Standard Specifications for Pool Alarms (F2208), in a 16' X 32' pool. POOLGUARD alarms can be used in pools up to 20'x40' or 800 square feet.

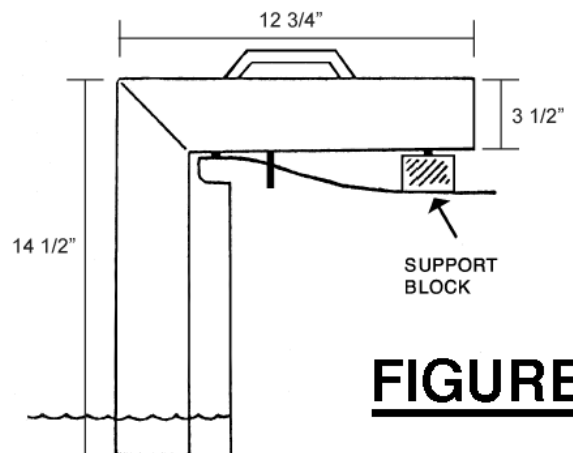


### **FIGURE 2**

Pools 800 Square Feet and Smaller.

POOLGUARD automatically compensates for variations in pool levels within the unit's operating range. The unit utilizes a sensing throat which projects into the water and is designed to operate in most pools with an in-wall skimmer. The sensing throat cannot be less than 2 inches, (See Figure 3), and not more than 7 inches into the water, POOLGUARD recommends that the sensing throat be approximately 4" in the water POOLGUARD can be used with SOLAR BLANKETS on the pool. POOLGUARD can also be used in spas.

**SENSING THROAT CANNOT BE LESS THAN 2" IN THE WATER, POOLGUARD RECOMMENDS THAT THE SENSING THROAT BE APPROXIMATELY 4" IN THE WATER**



### **FIGURE 3**

## IMPORTANT

POOLGUARD may not function properly if your pool's water level is not maintained within the required levels of your alarm. Also, the unit may not operate effectively while certain types of automatic pool cleaners are in operation.

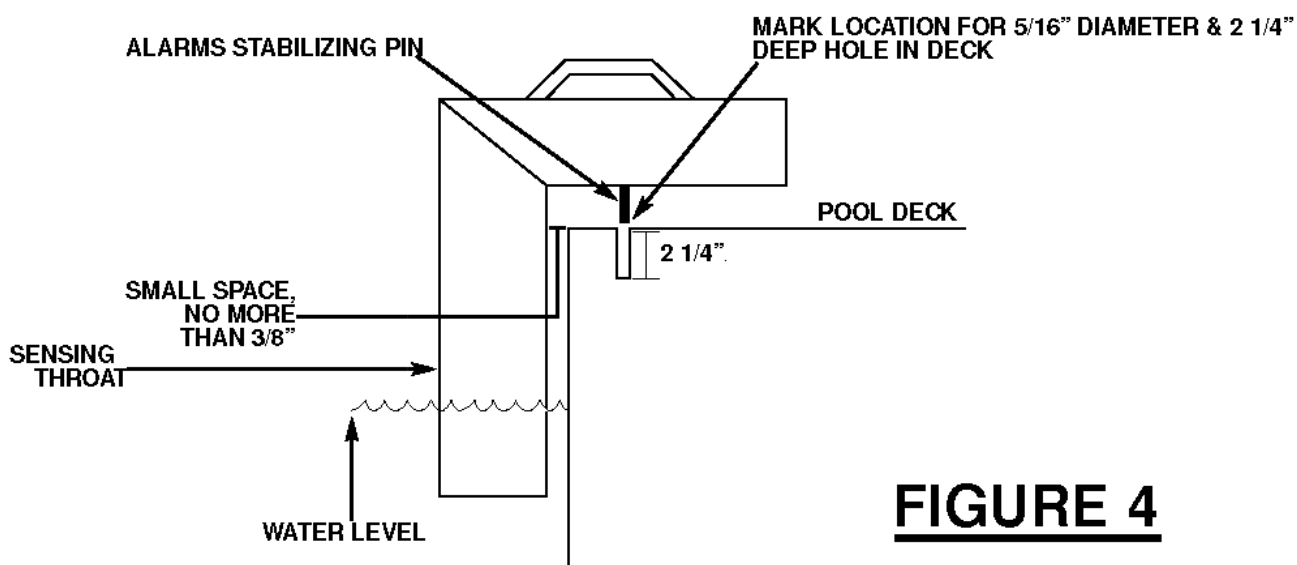
Some irregular shaped decks may not provide a level foundation for the unit by the pool's edge. This minor problem can be overcome by appropriately supporting the unit (See Figure 3).

## STABILIZING YOUR POOL ALARM

The Alarm Stabilizing Pin (ASP) is factory installed onto your pool alarm. Tools needed to install your alarm are: One 5/16" masonry drill bit that can be found at your local hardware store, a drill, a pencil, a tape measure or yard stick.

1. Position your pool alarm so that the sensing throat is in the water and the ASP is touching the deck, (Be sure to leave a small space between the sensing throat and the edge of your deck), Refer to Figure 4.
2. Mark with a pencil the spot where you wish to drill the hole for the ASP.
3. With the 5/16" masonry drill bit, drill a hole 2 1/4" inches deep, as straight as possible.
4. Clean off the debris and install the alarm by placing the ASP into the 5/16" diameter by 2 1/4" deep hole.
5. Your Pool Alarm is now ready for use. If you have any questions or need help with installation, please give us a call at 1-800-242-7163.
6. Be sure to keep your ASP hole clean from debris and dirt so that your alarm will always lay flat on the pool deck when installed.

## REMEMBER THAT THE POOL UNIT MUST BE REMOVED FROM POOL BEFORE SWIMMING!



**FIGURE 4**

Sensing throat cannot be less than 2" in the water, POOLGUARD recommends that the sensing throat be approximately 4" in the water.

## TEST BEFORE USING

To ensure effectiveness, test **POOLGUARD** every time you place it into the pool by performing the following procedure:

- **POOLGUARD DOES NOT HAVE AN ON/OFF SWITCH** When the alarm is in the pool it is always in the **ON** position and cannot be turned off. When the alarm is out of the pool it is always in the **OFF** position.
- To test your alarm push an object of appropriate volume and weight off the deck edge at the farthest location from the alarm. (A four (4) gallon jug of water or 3-one (1) gallon jugs of water tied together are ideal for testing.) The alarm should sound when the water action caused by the intrusion reaches the unit. It may take a few seconds for the alarm to react to the water action.
- After resetting the alarm and allowing time for the water action to settle, repeat the procedure from another point in the pool until you are confident of detection performance.
- **POOLGUARD** includes a timer function which automatically resets the unit after the alarm has sounded for approximately 5 minutes.

## ADJUSTING YOUR RETURN LINE FITTINGS

The **POOLGUARD** unit should not be placed too close to a return line from the filter area. Water turbulence may be too strong and falsely set the alarm off. If you have more than 2 return lines please call customer service at 1-800-242-7163. It is very important in pools to adjust all the eyeball fittings on your return lines so they will not interfere with your pool alarm. It is not necessary to point your eyeball up for your pool to circulate properly. If the water is swirling on top of the pool this makes the pool to turbulent for your alarm to work properly. Point the eyeball down and your pool will still circulate properly and allow your alarm to function properly. **If you point the eyeball fitting up, your alarm may not function properly.** (See Figure 5)

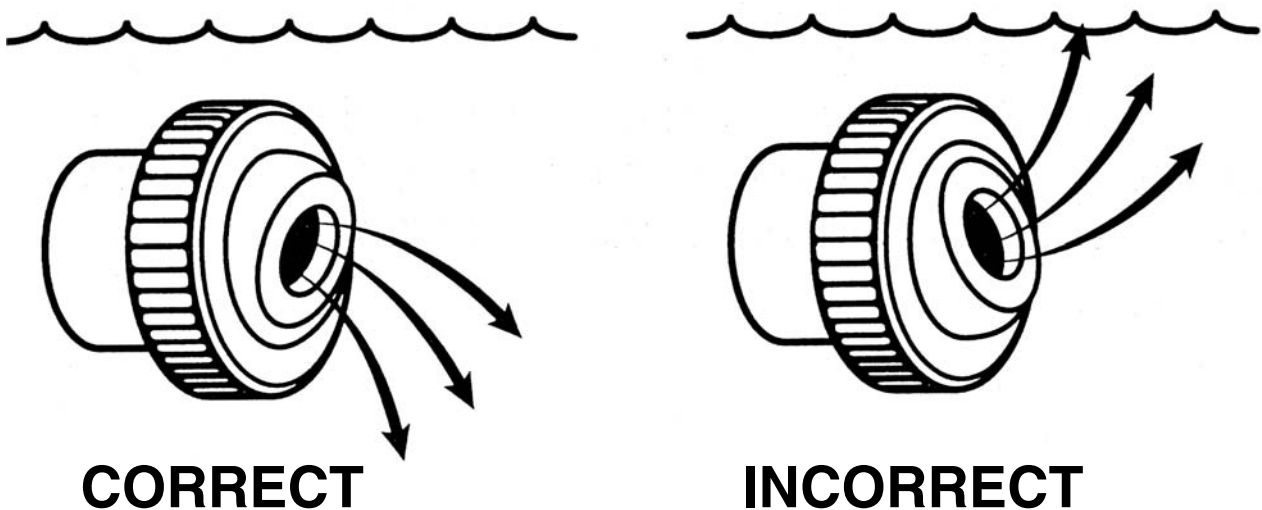


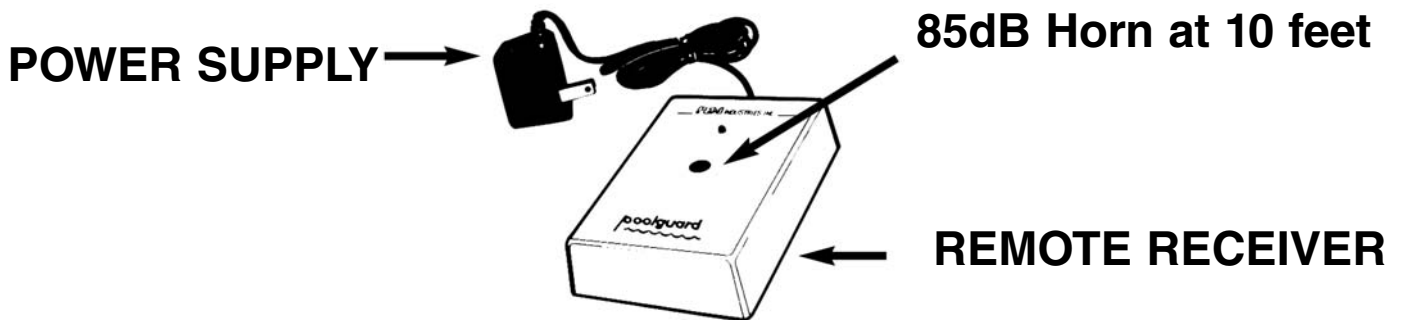
FIGURE 5

## POOLGUARD REMOTE RECEIVER

The POOLGUARD REMOTE RECEIVER has been integrated with the standard POOLGUARD unit to provide a wireless remote alert operating at distances of up to 200 feet. The POOLGUARD REMOTE RECEIVER sounds an alarm in the house when the POOLGUARD unit is activated at the pool. The remote system consists of the following functional elements:

- A coded pulse receiver (Remote Receiver). Figure 6
- A standard wall outlet power supply. Figure 6

The REMOTE RECEIVER is a compact unit powered by a **UL** and **CSA** approved AC/DC power supply, for Europe the power supply is **CE** approved and RoHS compliant. The REMOTE RECEIVER can be placed on a table or a counter top inside the house. The pulse coded radio frequency signal is transmitted from the pool unit and is received and decoded to sound the remote receiver. **The remote receiver will sound for an additional 3 seconds after the pool unit has been silenced. If the REMOTE RECEIVER beeps once approximately every 20 seconds, it is indicating that the 9v battery in the pool unit is low and needs to be replaced.** After you have purchased your POOLGUARD alarm and you wish to add another remote receiver to your alarm system you can acquire one from PBM Industries, Inc. Contact PBM by phone or mail or contact your place of purchase.



**FIGURE 6**

## TO OPERATE YOUR REMOTE RECEIVER

Try to locate your REMOTE RECEIVER in a convenient part of your house close to the pool. Avoid steel walls or any other large metal objects or obstructions that might interfere with the signal reception. The REMOTE RECEIVER has to be placed on the same level or a level above the pool in the house (do not place receiver in an underground basement). The ideal location for your REMOTE RECEIVER would be by a window overlooking your pool. Test your REMOTE RECEIVER in different locations in your house to find the best working place for your receiver. Connect the power supply and check that the red indicator light is on. Your REMOTE RECEIVER unit is now ready to receive a transmission from your POOLGUARD unit. **DO NOT USE YOUR REMOTE RECEIVER OUTDOORS.**

## **SWIMMING POOL SAFETY TIPS**

- Supervise children at all times.
- Never permit swimming alone. Never leave a child alone, even to answer the telephone.
- Always remove the entire solar cover from a pool before swimming.
- Remember that alcohol and water safety do not mix.
- Have your pool area fenced and the gate locked to prevent unauthorized entry to the pool, and install a gate alarm.
- Lock and secure all doors in the house which permit easy access to the pool, and install a door alarm.
- Have a responsible adult teach swimming and water safety to your children.
- Maintain clean, clear water in the pool.
- Do not swim during electrical storms.
- Do not permit bottles, glass, or sharp objects to be used around the pool.
- Ask your pool dealer how you can improve your pool safety – they will be glad to assist you.
- Above all: remember that common sense, awareness, and caution will allow you to enjoy your pool.

## **WARRANTY AND REPAIRS**

POOLGUARD is sold with a limited warranty to cover defects in parts and workmanship for three years from date of purchase, (retain proof of purchase). If POOLGUARD exhibits a defect, please call Customer Service at 1-800-242-7163. Unauthorized returns will not be accepted. Proper repair is only ensured when the unit is returned to the manufacturer.

### **SEND CORRESPONDENCE TO:**

**PBM INDUSTRIES, INC.  
P.O.BOX 658, NORTH VERNON, IN 47265  
1-800-242-7163**

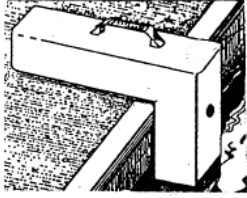
This product has been designed to aid in the detection of unwanted intrusions into unsupervised pools. POOLGUARD IS A SAFETY ALARM SYSTEM AND NOT A LIFE SAVING DEVICE. "This device is not intended to replace any other safety consideration - i.e., adult supervision, lifeguards, fences, gates, pool covers, locks, etc., and some devices may not detect gradual entry."



REV. 3/2006



# HELPFUL HINTS AND TROUBLESHOOTING



Poolside Unit

# poolguard®

Power Supply



Remote Receiver

## **FALSE ALARMS**

All pool alarms will false alarm on occasion for different reasons. False alarms can be minimized; however, it is important to remember that a false alarm is better than no alarm at all. **WEATHER & WIND**—POOLGUARD sets stationary on the deck of the pool so the wind will not effect the alarm unit itself. Wind may trigger a false alarm if it is strong enough or steady enough that it causes the water in the pool to rock or bounce up and down the pool wall. When the water in the pool moves up and down the POOLGUARD sensing throat, it may finally cause the alarm to sound. On extremely windy days when the pool water is rocking it is advised to remove the POOLGUARD from the pool. **Light wind or rain will not effect the POOLGUARD alarm.**

Another false alarm occurs when the pool owner tries to install the alarm too soon after swimming. After swimming, the water in the pool will rock or bounce up and down the pool wall for some time depending on the size of the pool and the type of swimming activity. **Before installing the alarm, after swimming, the pool must be given time to calm.** Time will vary (around 10 to 30 minutes); once the pool owner sees that the pool water is no longer rocking up and down the pool wall, it is time to install the alarm.

Certain **automatic cleaners** may set the POOLGUARD unit off in some cases. If the cleaner head or the cleaner hose hits the POOLGUARD alarm it may cause it to false alarm. Solutions to this problem are to use your cleaner at night and your alarm during the day. Another option would be to find a place around the pool where the cleaner does not interfere with the alarm.

## **ALARM PLACEMENT**

The alarm should be on a flat, solid surface for best results. The throat of the unit is designed to work in most pools with an in-wall skimmer. The water level up on the throat is important and should be checked. The sensing throat cannot be less than 2 inches in the water, and not more than 7 inches into the water. POOLGUARD recommends that the sensing throat be approximately 4 inches in the water. POOLGUARD can be used with a solar cover; however, before removing the cover, the alarm should be taken out so it does not get pulled into the pool.

## **ALARM TESTING**

Drop something of approximate **size, weight and volume** of the family's smallest child, the farthest point away from the alarm. A four (4) gallon jug of water or 3 one (1) gallon jugs of water tied together are ideal for testing. **Remember, when testing you must wait about 15 minutes between tests for the pool to calm.**

## **ALARM WILL NOT SOUND**

Be sure that a 9 volt battery has been installed properly. If you are testing and POOLGUARD does not alarm, be sure you are testing properly – putting your feet in the pool, splashing with your hands, making waves with a leaf skimmer, or dropping something into the pool that does not have the proper size, weight and volume **will not set the POOLGUARD alarm off!** Testing is very important and should be done correctly.

## **CARE AND HANDLING**

POOLGUARD is made of sturdy, rigid vinyl PVC - UV rated. Because the alarm is electronic and mechanical great care should be taken not to drop the unit; like any other appliance, it may break. Sun and rain will not hurt the alarm. POOLGUARD is weatherproof **but not waterproof**. Great care should be taken not to knock the alarm into the pool. If the alarm goes into the pool there are directions in the manual on how to dry it out, but more than likely it will have to be returned to the factory for service. **Always remember to remove the alarm before using the pool.**

## **REMOTE RECEIVER**

When the unit at the pool alarms, the remote receiver will sound. **Maximum Range for the remote is 200 feet** from the poolside unit. Avoid placing remote in basements or close to metal walls. Be sure that the red light on the remote is on. Remember the poolside unit must be beeping (alarming) for the remote to work.

If your remote receiver is not getting a clear signal or no signal from the poolside unit, try the following: Before plugging in the power supply, be sure **to stretch out the cord**; do not leave it tied in a bow as packaged. When you first plug in the remote it will give one short loud beep then stop.

Your Remote Receiver is similar to a small portable radio. If your remote is not sounding when the poolside unit is sounding—move the remote to different locations and stand back for a few seconds for the remote to pick up the signal. You may only have to move your remote a little to the left or right to bring in the signal—in some cases you might have to move the remote to a different location or another room. If you cannot get a signal on your remote receiver CALL CUSTOMER SERVICE AT 1-800-242-7163

## **QUICK DO'S AND DON'TS**

- **DO read the manual carefully**
  - **DO install a 9 volt battery**
  - **DO untie the bow on the power supply**
  - **DO test the alarm properly**
  - **DO carry your alarm by the handle**
  - **DO remove alarm before swimming**
  - **DO hold on to your red customer service card with our 800 service number**
- 
- **DON'T leave alarm in pool while swimming**
  - **DON'T drop your alarm, it may break**
  - **DON'T knock or let your alarm fall into the pool**
  - **DON'T install your alarm immediately after swimming**
  - **DON'T use your alarm on extremely windy days**



## IMPORTANTE

### MANUAL DE INSTRUCCIONES PARA EL FUNCIONAMIENTO

## CONSEJOS Y SUGERENCIAS ÚTILES

**CUMPLE LAS NORMAS DE SEGURIDAD DE ASTM (SOCIEDAD ESTADOUNIDENSE DE PRUEBAS Y MATERIALES) RELATIVAS A LAS ALARMAS PARA PISCINAS**



**MODELO PGRM-2E**

**Bocina de 85dB a 3,04 m.**

Este producto ha sido diseñado para permitir la detección de intrusiones indeseadas en las piscinas sin supervisión. POOLGUARD ES UN SISTEMA DE ALARMA DE SEGURIDAD Y NO UN DISPOSITIVO SALVAVIDAS. "Este dispositivo no fue diseñado con la intención de reemplazar ningún otro método de seguridad, por ej.: supervisión por parte de un adulto, salvavidas, cercas, rejas, cubiertas para piscinas, cerraduras, etc., y puede que algunos dispositivos no detecten una entrada gradual."

## **GENERAL**

POOLGUARD es el resultado del diseño de calidad y de las técnicas de fabricación estándares de PBM Industries, Inc.; una compañía dedicada a ofrecer productos de gran calidad. POOLGUARD es el resultado de dicha dedicación y garantizamos y suscribimos el sistema de alarma POOLGUARD. Las alarmas para piscina POOLGUARD son inspeccionadas por el laboratorio de pruebas ETL para el cumplimiento de la norma de seguridad y funcionamiento F2208 de ASTM para alarmas de piscinas. POOLGUARD es un sistema de control electrónico que suena automáticamente cuando cae a la piscina un niño o una mascota en una piscina sin supervisión. Las alarmas para piscina POOLGUARD son diseñados para detectar intrusiones parecidas a un niño de un año que pesa 18 libras. POOLGUARD es una unidad portátil, autónoma y ligera fácil y segura de manejar. El acceso a la piscina es detectado por el sensor electrónico de la unidad, el cual dispara una alarma con sonido alto e intermitente y transmisor interno de RF. El receptor remoto recibirá la señal transmitida y hará sonar la alarma dentro del hogar.

## **INSPECCIÓN**

POOLGUARD viene embalada en una caja de cartón para envío que reduce las posibilidades de daños durante su manipulación. Revise que no haya daños y confirme que el contenido de la caja incluya los siguientes artículos:

- Unidad POOLGUARD
- Asa
- Receptor remoto y suministro de corriente
- Manual de instrucciones para el funcionamiento
- Garantía y tarjeta de registro
- Si falta algún artículo, póngase en contacto con el lugar donde lo compró o con PBM Industries, Inc., para su reemplazo

## **CUIDADOS Y MANIPULACIÓN**

POOLGUARD está fabricado con plástico duradero para resistir el ambiente húmedo y hostil de la piscina. **Tenga cuidado cuando lo manipule para evitar que la unidad se caiga, reciba golpes, etc. Asegúrese también de trasladar la unidad y colocarla en posición vertical lejos de la piscina, cuando ésta esté siendo utilizada. (Véase figura N° 1)** Si la unidad cae accidentalmente en la piscina, sáquela inmediatamente y vacíe el agua. Desarme la unidad siguiendo las indicaciones descritas en el Procedimiento de Sustitución y saque la pila. Incline y agite la unidad y elimine todo el exceso de agua contenido en la unidad, en la pila y en la zona de la placa del circuito con un paño o una toalla de papel. Pruebe la unidad antes de su uso, según se describe en el manual, para garantizar su funcionamiento correcto. **(No se olvide de sacar la unidad de la piscina y guardarla lejos de la misma cada vez que vaya a nadar.)**

## **PARA UNIR EL ASA**

Los dos tornillos para el asa están ubicados en la parte superior de la alarma, retírelos y atornille el asa, (Véase figura N° 1)

## **INSTALACIÓN DE LA ALARMA**

### **INTERRUPTOR DE REINICIO/PAUSA (VÉASE FIGURA N° 1)**

REINICIO: Cuando la unidad esté instalada en la piscina y esté sonando la bocina; presione y mantenga apretado durante 3 segundos el interruptor de reinicio/pausa para silenciar la alarma. MODO PAUSA: Cuando retire la unidad de la piscina y suene la bocina; presione y mantenga apretado durante 3 segundos el interruptor de reinicio/pausa para silenciar la alarma. La unidad de la piscina se activará automáticamente cuando se instale nuevamente en la piscina. **¡LA UNIDAD DE LA PISCINA NO PODRÁ PONERSE EN MODO PAUSA UNA VEZ INSTALADA EN LA PISCINA!**

## **CARACTERÍSTICA DE INSTALACIÓN Y RETIRADA SILENCIOSA**

• El sistema poolguard activará una alarma (sonará una bocina) cuando instale o retire la unidad de la piscina. Si no desea que la alarma se dispare (no sonará la bocina) cuando instale o retire la unidad de su piscina, siga las instrucciones descritas a continuación.

### **1. INSTALACIÓN SILENCIOSA (LA BOCINA NO SONARÁ)**

• Presione y mantenga apretado durante 3 segundos el interruptor de reinicio/pausa, hasta oír que la bocina de la unidad emite un chirrido. Suelte el interruptor de reinicio/pausa, a partir de ese momento, tiene 15 segundos para instalar **con delicadeza** la unidad en su piscina sin que suene la bocina.

**Nota:** Esta característica le permite al sensor de la unidad desplazarse una vez sin que suene la alarma. Si la unidad de la piscina no se instala con delicadeza la alarma sonará. **POOLGUARD COMENZARÁ A REVISAR INSTANTÁNEAMENTE SU PISCINA EN BUSCA DE INTRUSIONES.**

### **2. RETIRADA SILENCIOSA (LA BOCINA NO SONARÁ)**

• Antes de retirar la unidad de su piscina, presione y mantenga apretado durante 3 segundos el interruptor de reinicio/pausa, hasta oír que la bocina de la unidad emite un chirrido. Suelte el interruptor de reinicio/pausa, y a partir de este momento tendrá 5 segundos para retirar la unidad de su piscina sin que suene la bocina. **IMPORTANTE: ESTO NO APAGA EL POOLGUARD, SI LA UNIDAD NO SE RETIRA DE LA PISCINA, ÉSTA CONTINUARÁ REVISANDO SU PISCINA EN BUSCA DE INTRUSIONES.**

**3. ¡POOLGUARD HA DISEÑADO ESTA CARACTERÍSTICA "ÚNICAMENTE" PARA AQUELLOS QUE TIENEN LA RESPONSABILIDAD DE INSTALAR O RETIRAR LA ALARMA DE LA PISCINA!**

## **INSTALACIÓN/REEMPLAZO DE LA PILA**

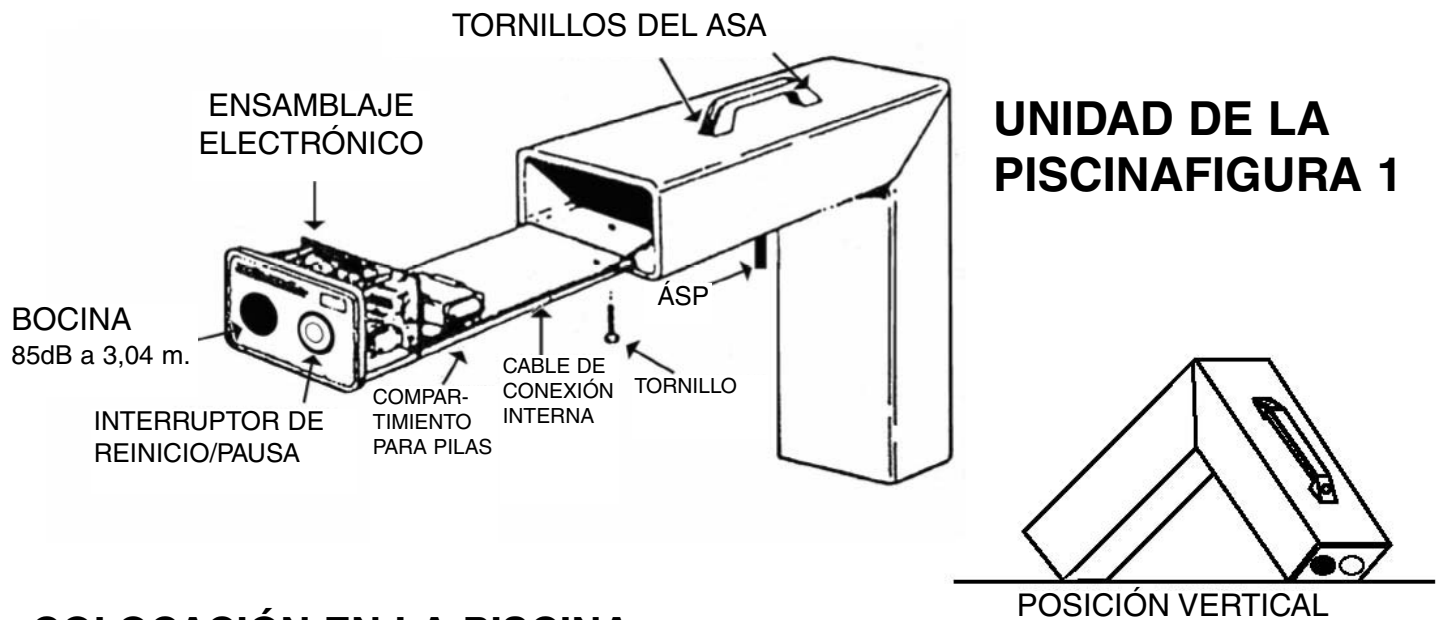
(Pila no incluida)

POOLGUARD funciona con una pila alcalina estándar de 9 voltios. Para instalar o retirar la pila:

- Saque el tornillo de la parte inferior de la unidad, véase figura N° 1.
- Deslice cuidadosamente hacia afuera el ensamblaje electrónico; no tire del cable de conexión interna. (En caso de que sea necesario, agite suavemente la unidad para retirar el ensamblaje).
- Saque la pila usada y revise si gotea o está oxidada. (Elimine cualquier gota u óxido que esté presente antes de instalar la pila nueva).
- **IMPORTANTE: CUANDO INSTALE POR PRIMERA VEZ UNA PILA DE 9 VOLTIOS EN LA UNIDAD DE LA PISCINA, SONARÁ LA BOCINA. PARA SILENCIAR LA ALARMA PRESIONE Y MANTENGA APRETADO EL INTERRUPTOR DE REINICIO/PAUSA DURANTE 3 SEGUNDOS. ESTO CAMBIARÁ EL ESTADO DE LA ALARMA AL MODO PAUSA. LA UNIDAD DE LA PISCINA SE ACTIVARÁ AUTOMÁTICAMENTE CUANDO SE INSTALE EN LA PISCINA.**
- Instale la pila nueva presionando la conexión e introduciéndola en el compartimiento para pilas.
- Deslice el ensamblaje electrónico en la unidad de la piscina (refiérase a la Figura 1 para asegurarse de que el ensamblaje electrónico esté correctamente instalado); no pellizque el cable de conexión interna.
- Vuelva a colocar el tornillo, apriete manualmente hasta que el tornillo quede completamente ajustado y parejo con la unidad de la piscina. Para evitar posibles daños, quite la pila si va a guardar la unidad por un período de tiempo prolongado.

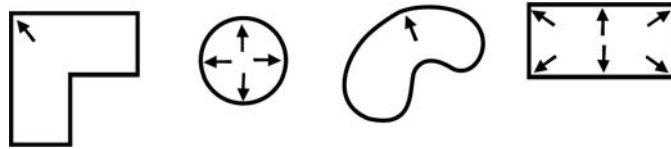
## **INDICADOR DE PILA BAJA**

La UNIDAD DE LA PISCINA Y EL RECEPTOR REMOTO sonarán aproximadamente cada 20 segundos para avisarle que la pila de la unidad de la piscina está baja y necesita ser reemplazada.



## COLOCACIÓN EN LA PISCINA

La figura N° 2 ilustra las mejores ubicaciones para detectar intrusiones desde cualquier zona de la piscina. Si la piscina tiene un tamaño superior a los 74,3 metros cuadrados, si tiene más de 2 líneas de retorno, si tiene dudas sobre el tamaño, o si tiene una piscina con una forma irregular, llame a nuestro servicio de atención al cliente para saber el número recomendado de alarmas y los lugares dónde colocarlas: 1-800-242-7163. Las alarmas para piscinas Poolguard han sido probadas y certificadas por el ETL para el cumplimiento de la norma de seguridad y funcionamiento de alarmas para piscinas (F2208) de ASTM, en el caso de piscinas de 4,9 m. x 9,8 m. Las alarmas POOLGUARD pueden ser utilizadas en piscinas de hasta 6,1 m x 12,2 m. ó de 74,3 metros cuadrados.



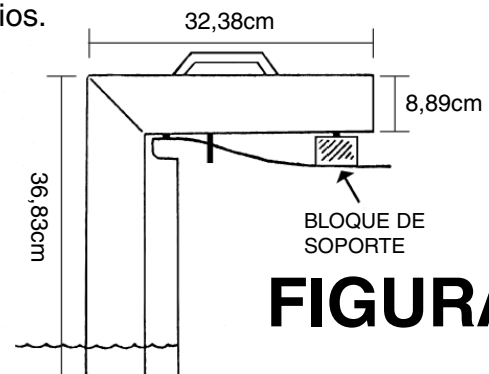
## FIGURA 2

Piscinas de 74,3 metros cuadrados o más pequeñas.

### COLOCACIÓN EN LA PISCINA

POOLGUARD compensa de forma automática las variaciones en los niveles de la piscina dentro del rango de funcionamiento de la unidad. La unidad utiliza un dispositivo sensor que proyecta hacia el agua y que ha sido diseñado para funcionar en la mayoría de las piscinas con un limpiador de residuos integrado en la pared. El dispositivo sensor no puede ser menor de 5,1 cm. (Véase figura N° 3), ni mayor de 17,8 cm. en el agua. POOLGUARD recomienda que el dispositivo sensor se sitúe a 10,2 cm. en el agua. POOLGUARD puede ser utilizado en la piscina con MANTAS SOLARES. POOLGUARD también puede ser utilizado en los balnearios.

**EL DISPOSITIVO SENSOR NO PUEDE SER COLOCARSE A MENOS DE 5,1 CM. EN EL AGUA, POOLGUARD RECOMIENDA QUE EL DISPOSITIVO SENSOR SE SITÚE A 10,2 CM. EN EL AGUA.**



## FIGURA 3

## IMPORTANTE

Puede que el POOLGUARD no funcione adecuadamente si el nivel de agua de su piscina no se mantiene dentro de los niveles requeridos de la alarma. La unidad tampoco podrá funcionar adecuadamente mientras estén en funcionamiento ciertos tipos de limpiadores automáticos de piscinas.

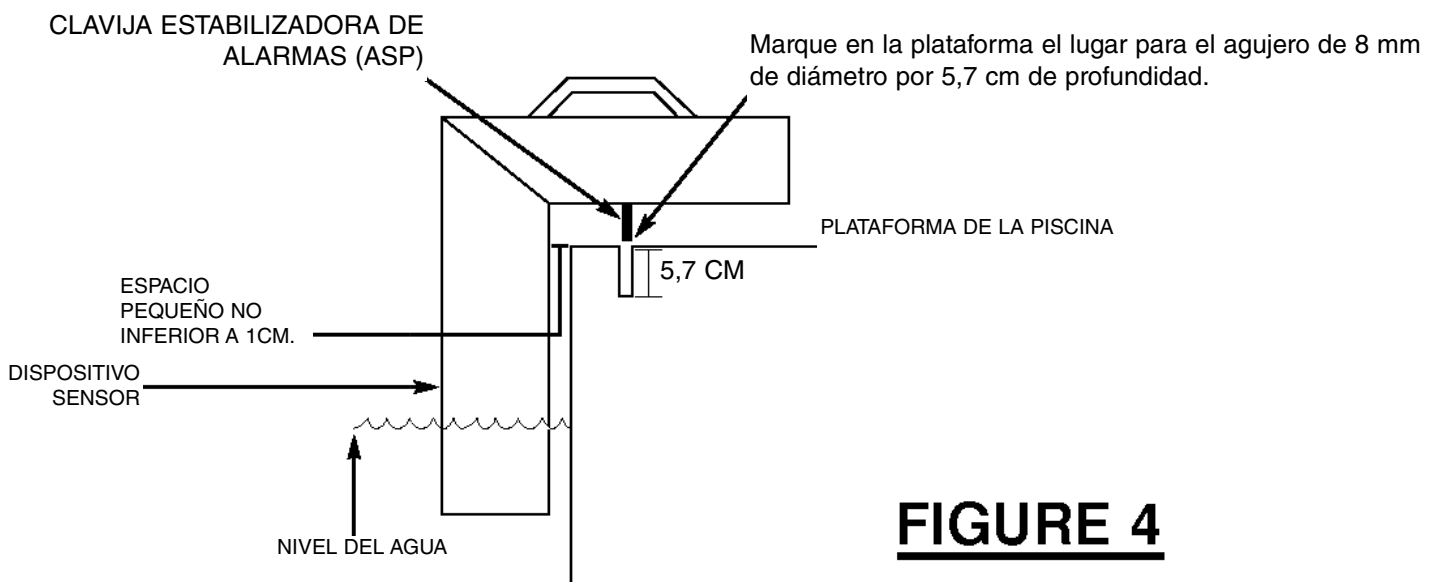
Algunas piscinas con formas irregulares no ofrecen una base uniforme para su nivelación con el borde de la piscina. Este pequeño problema puede ser resuelto mediante un apoyo adecuado para la unidad. (Véase figura N° 3)

## COMO ESTABILIZAR LA ALARMA DE LA PISCINA

La clavija estabilizadora de la alarma (ASP) viene instalada de fábrica en la alarma de la piscina. Las herramientas necesarias para instalar la alarma son: una broca para albañilería de 8 mm disponible en su ferretería local, taladro, lápiz, cinta métrica o metro de madera.

1. Coloque la alarma de la piscina de manera tal que el dispositivo sensor quede en el agua y la ASP quede apoyada en la plataforma, (asegúrese de dejar un pequeño espacio entre el dispositivo sensor y el borde de la plataforma). (Véase Figura 4).
2. Marque con el lápiz el lugar donde desea hacer el agujero para la ASP.
3. Con la broca para albañilería de 8 mm, perforo un agujero de 5,7 cm de profundidad; lo más recto posible.
4. Limpie los residuos e instale la alarma, colocando la ASP en el agujero de 8 mm de diámetro por 5,7 cm de profundidad.
5. La alarma de la piscina está lista para usarse. Si tiene alguna pregunta o necesita ayuda para la instalación, llámenos al 1-800-242-7163.
6. Asegúrese de mantener limpio el agujero para la ASP para que cuando coloque la alarma, ésta quede siempre situada horizontalmente sobre la plataforma de la piscina.

## ¡RECUERDE QUITAR LA UNIDAD DE LA PISCINA ANTES DE NADAR!



**FIGURE 4**

**El dispositivo sensor no puede estar a menos de 5,1 cm en el agua. POOLGUARD recomienda colocar el dispositivo sensor aproximadamente a 10,2 cm en el agua.**

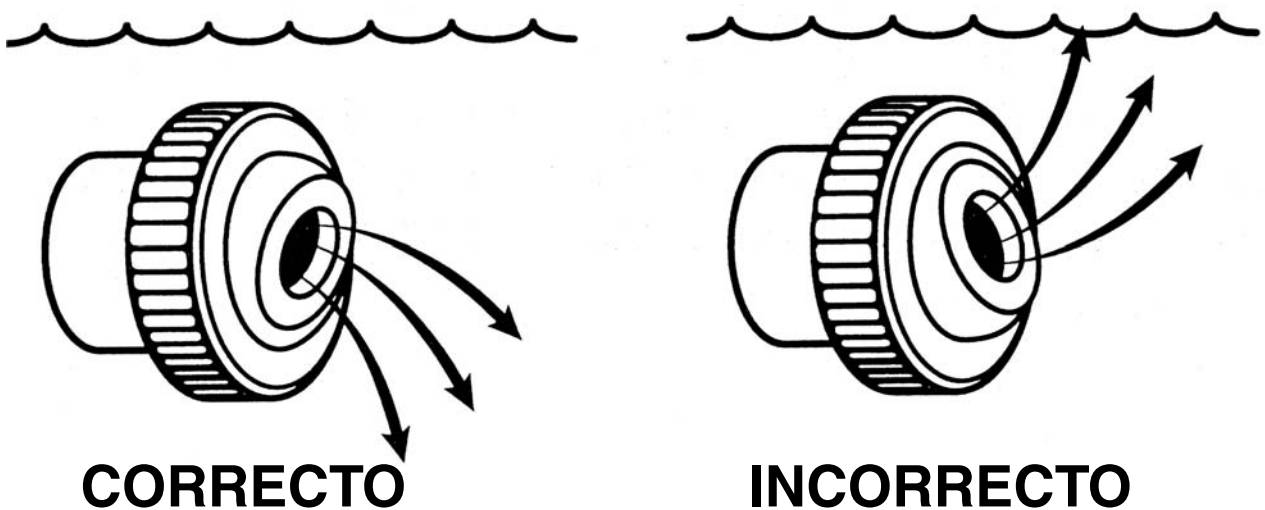
## **PRUEBAS ANTES DE SU USO**

Para garantizar un correcto rendimiento, pruebe el POOLGUARD, cada vez que lo coloque en la piscina, de la siguiente manera :

- POOLGUARD NO TIENE INCORPORADO UN INTERRUPTOR ON/OFF (DE ENCENDIDO Y APAGADO). Cuando la alarma está en la piscina, está siempre en la posición ON (Encendido) y no puede apagarse. Cuando la alarma está fuera de la piscina, está siempre en posición OFF (Apagado).
- Para probar si la alarma funciona, arroje, desde el borde de la plataforma, un objeto considerablemente pesado lo más lejos posible de la alarma. (Para realizar la prueba, se aconseja utilizar un bidón de cuatro (4) galones de agua o 3 bidones atados de 1 galón de agua cada uno.). La alarma sonará cuando el movimiento del agua, provocado por la intrusión, alcance la unidad. Puede que pasen unos minutos hasta que la alarma reaccione al movimiento del agua.
- Antes de reiniciar la alarma y después de que el agua se calme, repita el procedimiento desde otro lugar de la piscina hasta que esté seguro del rendimiento de detección.
- POOLGUARD incluye un temporizador que automáticamente reinicia la unidad después de que la alarma haya sonado durante aproximadamente 5 minutos.

## **COMO AJUSTAR LOS CONECTORES DE LÍNEA DE RETORNO**

La unidad POOLGUARD no debe colocarse demasiado cerca de la línea de retorno de la zona del filtro. La turbulencia del agua puede ser muy fuerte y activar la alarma equivocadamente. Si tiene más de 2 líneas de retorno, llame al Departamento de servicio de atención al cliente al 1-800-242-7163. Es muy importante ajustar todos los dispositivos de detección en las líneas de retorno para que no interfieran con la alarma de la piscina. No es necesario orientar el dispositivo de detección hacia arriba para que la piscina funcione sin problemas. Si el agua está demasiado turbulenta en la superficie de la piscina no permitirá que la alarma funcione correctamente. Oriente el detector de detección hacia abajo y el agua en la piscina circulará sin problemas, lo que permitirá que la alarma funcione correctamente. Si orienta el dispositivo de detección hacia arriba, puede que la alarma no funcione correctamente. (Consulte la Figura 5).



**FIGURA 5**

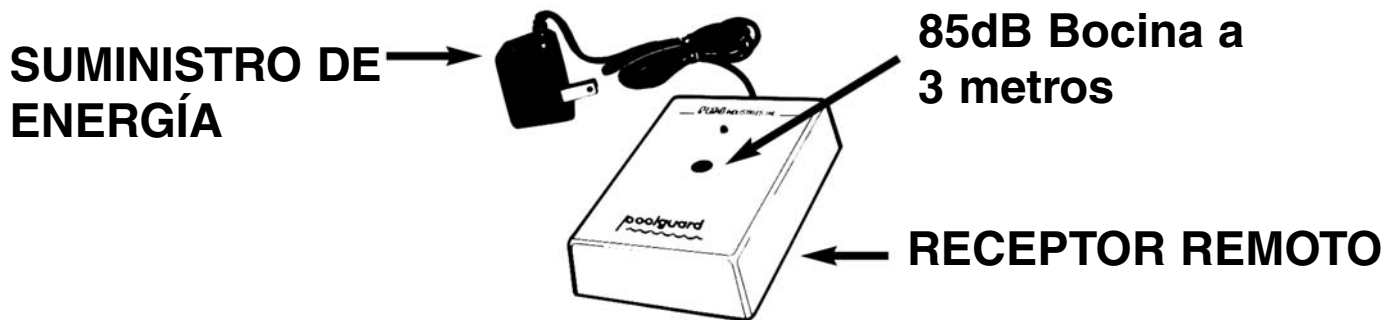


## RECEPTOR REMOTO POOLGUARD

El RECEPTOR REMOTO POOLGUARD está integrado en la unidad estándar POOLGUARD para el funcionamiento de la alarma remota inalámbrica desde una distancia máxima de 61 metros. El RECEPTOR REMOTO POOLGUARD activa la alarma en la casa cuando la unidad POOLGUARD se activa en la piscina. El sistema remoto contiene los siguientes elementos funcionales:

- Un receptor de impulsos codificado (Receptor remoto). Figura 6
- Una toma de corriente mural estándar para el suministro de energía. Figura 6.

El RECEPTOR REMOTO es una unidad compacta impulsada por un suministro de energía AC/DC, UL y **CSA** aprobado. Para Europa el suministro de energía tiene la aprobación de **CE** y conforma con la norma RoHS. Puede colocar el receptor remoto sobre una mesa o una repisa ubicadas en el interior de la vivienda. La señal de frecuencia radial codificada de impulsos es transmitida desde la unidad de la piscina, recibida y decodificada, activando así el receptor remoto. **El receptor remoto sonará durante otros 3 segundos después de que la unidad de la piscina haya sido desactivada. Si el RECEPTOR REMOTO suena aproximadamente cada 20 segundos indica que la pila 9 voltios de la unidad de la piscina está baja y necesita ser reemplazada.** Si después de haber comprado la alarma POOLGUARD, desea añadir otro receptor remoto a su sistema de alarma, puede obtener uno contactando con PBM Industries, Inc. Contacte con PBM por teléfono o correo electrónico, o contacte con la tienda donde compró el sistema.



**FIGURA 6**

## COMO OPERAR EL RECEPTOR REMOTO

Coloque el RECEPTOR REMOTO en un lugar accesible en la vivienda, cerca de la piscina. Evite las paredes de acero, objetos metálicos de gran tamaño u obstrucciones que puedan interferir con la recepción de la señal. El RECEPTOR REMOTO debe ubicarse al mismo nivel o a un nivel superior a la piscina de la vivienda (no coloque el receptor en el sótano). El lugar ideal para el RECEPTOR REMOTO es cerca de una ventana con vistas a la piscina. Pruebe el RECEPTOR REMOTO en diferentes zonas del hogar hasta determinar el mejor lugar para el mismo. Conecte el suministro de energía y revise que la luz roja del indicador esté encendida. El RECEPTOR REMOTO está listo para recibir la transmisión de la unidad POOLGUARD. **NO UTILICE EL RECEPTOR REMOTO AFUERA.**

## **SUGERENCIAS DE SEGURIDAD PARA NADAR EN LA PISCINA**

- Vigile a los niños en todo momento.
- Nunca los deje nadar solos. Nunca deje a un niño solo en la piscina, ni para ir a contestar el teléfono.
- Retire siempre la cubierta solar de la piscina antes de nadar.
- Recuerde que no es seguro beber alcohol y meterse a la piscina.
- Coloque una cerca alrededor de la piscina y mantenga la puerta cerrada para evitar el acceso de personas no autorizadas a la piscina. Instale una alarma en la puerta.
- Asegúrese de que un adulto responsable enseñe a sus hijos las medidas de seguridad y a nadar.
- Have a responsible adult teach swimming and water safety to your children.
- Mantenga el agua de la piscina limpia y transparente.
- No nade durante tormentas eléctricas.
- No permita el uso de botellas, vidrios u objetos afilados alrededor de la piscina.
- Pregúntele a su distribuidor de piscinas como puede mejorar la seguridad de la piscina; estarán encantados de ayudarle.
- Recuerde que si utiliza el sentido común, es consciente y precavido podrá disfrutar de la piscina.

## **GARANTÍA Y REPUESTOS**

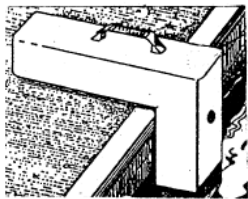
POOLGUARD incluye una garantía limitada que cubre la mano de obra y las piezas defectuosas durante tres años a partir de la fecha de compra. (Conserve el comprobante de compra). Si POOLGUARD presenta algún defecto, llame al Departamento de servicio de atención al cliente al 1-800-242-7163. No se aceptarán devoluciones no autorizadas. Se garantiza la reparación adecuada sólo cuando se devuelva la unidad al fabricante.

**ENVÍE LA CORRESPONDENCIA A:** PBM INDUSTRIES, INC.  
P.O.BOX 658, NORTH VERNON, IN 47265  
1-800-242-7163

Este producto ha sido diseñado para permitir la detección de intrusiones indeseadas en las piscinas sin supervisión. POOLGUARD ES UN SISTEMA DE ALARMA DE SEGURIDAD Y NO UN DISPOSITIVO SALVAVIDAS. "Este dispositivo no ha sido diseñado con la intención de reemplazar ningún otro método de seguridad, por ej.: supervisión por parte de un adulto, salvavidas, cercas, rejas, cubiertas para piscinas, cerraduras, etc., y puede ser que algunos dispositivos no detecten un acceso gradual."



REV. 3/2006



Poolside Unit

# poolguard®

Suministro de energía



Receptor remoto

## **FALSAS ALARMAS**

Todas las alarmas para piscina se activarán erróneamente por razones diferentes. Puede minimizar el número de falsas alarmas; sin embargo, es importante recordar que es mejor una falsa alarma que no tener una alarma. **EL CLIMA Y EL VIENTO:** POOLGUARD se fija en la plataforma de la piscina para que el viento no afecte la unidad. El viento puede activar una falsa alarma si es demasiado fuerte o constante ya que ocasionaría que el agua en la piscina se agite u oscile contra la pared de la piscina. Cuando el movimiento oscilante del agua de la piscina haga contacto con el dispositivo sensor POOLGUARD, puede que éste se active y haga sonar la alarma. Los días extremadamente ventosos, en que el agua se mueve fuertemente, se recomienda retirar el POOLGUARD de la piscina. **La lluvia o el viento leve no activarán la alarma POOLGUARD.**

Otra manera de activar una falsa alarma es cuando el propietario de la piscina intenta instalar la alarma tan pronto como deja de nadar. Después de nadar, el agua en la piscina se mantiene agitada o revuelta durante un tiempo, dependiendo del tamaño de la piscina y del tipo de actividad acuática que se haya realizado. **Antes de instalar la alarma, y una vez que haya terminado de nadar, debe esperar un momento hasta que el agua se calme.** El tiempo variará (aproximadamente entre 10 y 30 minutos); y una vez que el usuario de la piscina vea que el agua está tranquila podrá instalar la alarma.

Ciertos **limpiadores automáticos** pueden activar la unidad POOLGUARD en determinadas ocasiones. Si el cabezal o la manguera del limpiador choca contra la alarma POOLGUARD puede que la haga sonar. La mejor solución a este problema es utilizar el limpiador durante la noche y la alarma durante el día. Otra opción sería encontrar otro lugar circundante a la piscina donde el limpiador no interfiera con la alarma.

## **COLOCACIÓN DE LA ALARMA**

Para obtener mejores resultados, debe colocar la alarma en una superficie sólida y llana. El cuello del dispositivo ha sido diseñado para que funcione en la mayoría de las piscinas con un limpiador de residuos integrado en la pared. Es muy importante que revise el nivel del agua sobre el cuello del dispositivo. El dispositivo sensor no puede estar a menos de 5,1 cm ni a más de 17,8 cm en el agua. POOLGUARD recomienda colocar el dispositivo sensor aproximadamente a una altura de 10,2 cm en el agua. POOLGUARD puede utilizarse con una cubierta solar; sin embargo, antes de quitar la cubierta, debe sacar la alarma para que ésta no caiga a la piscina.

## **PRUEBA DE LA ALARMA**

Arroje, desde el lugar más lejano a la alarma, un objeto que tenga el **tamaño, peso y volumen** del niño más pequeño de la familia. Para realizar la prueba, es ideal utilizar un bidón de cuatro (4) galones de agua o 3 bidones atados de 1 galón de agua cada uno. **Recuerde que cada vez que quiera realizar la prueba deberá esperar aproximadamente 25 minutos hasta que el agua se calme.**

## **LA ALARMA NO SONARÁ**

Asegúrese de que se haya instalado correctamente una pila de 9 voltios. Si cuando realiza la prueba, el POOLGUARD no suena, asegúrese de estar realizándola correctamente. El colocar los pies en la piscina, el salpicar con las manos, el crear olas con el limpiador de hojas, o el arrojar un objeto con un tamaño, peso y volumen inapropiado **no activará la alarma POOLGUARD.** Es muy importante que realice la prueba y que lo haga correctamente.

## **CUIDADO Y MANIPULACIÓN**

La unidad POOLGUARD está fabricada con vinilo PVC rígido y resistente, clasificada UV. Preste mucha atención en no dejar caer la unidad ya que presenta un sistema electrónico y mecánico; y al igual que cualquier otro artefacto, puede romperse. Ni el sol ni la lluvia afectarán la alarma. POOLGUARD es resistente a la intemperie **pero no impermeable**. Preste mucha atención en no dar golpes a la alarma en la piscina. Si la alarma se cae a la piscina, consulte la sección de instrucciones sobre como secarla, descritas en el manual. Sin embargo, lo más seguro es que deba devolver la unidad a la fábrica para ser reparada. **Recuerde siempre quitar la alarma antes de usar la piscina.**

## **RECEPTOR REMOTO**

Cuando suena la unidad en la piscina, el receptor remoto también lo hace. **El alcance máximo del receptor remoto es de 61 metros** desde la unidad situada en el lateral de la piscina. Evite colocar el receptor remoto en sótanos o cerca de paredes metálicas. Asegúrese que la luz roja en el remoto esté encendida. Recuerde que la unidad situada en el lateral de la piscina debe sonar (dar la alarma) para que funcione el receptor remoto.

Si el receptor remoto no recoge una señal clara o no recibe señal alguna de la unidad situada en el lateral de la piscina, intente lo siguiente: antes de enchufar el suministro de energía, asegúrese de estirar el cable; no lo deje enroscado como viene en el paquete. Cuando enchufe por primera vez el remoto, éste emitirá un sonido corto y fuerte y luego se callará.

El receptor remoto es similar a una radio portátil pequeña. Si su remoto no suena cuando la unidad situada en el lateral de la piscina esté sonando, traslade el remoto a una zona diferente y espere unos segundos para que pueda coger la señal. Quizás tenga que mover el remoto un poquito a la izquierda o a la derecha para que pueda captar la señal; en algunos casos puede que tenga que trasladarlo a una zona diferente o a otro cuarto. Si el receptor remoto no capta la señal, LLAME AL DEPARTAMENTO DE SERVICIO DE ATENCIÓN AL CLIENTE AL 1-800-242-7163.

## **LO QUE DEBE Y LO QUE NO DEBE HACER**

- **Lea el manual atentamente**
- **Instale una pila de 9 voltios**
- **Desate el lazo del suministro de energía**
- **Realice la prueba para establecer el correcto funcionamiento de la alarma**
- **Traslade la alarma por el asa**
- **Quite la alarma antes de acceder a la piscinag**
- **Conserve la tarjeta roja con el número gratuito del servicio de atención al cliente.**

- **No deje la alarma en la piscina mientras esté nadando**
- **No arroje la alarma, puede romperse**
- **No golpee ni deje caer la alarma en la piscina**
- **No instale la alarma inmediatamente después de nadar**
- **No utilice la alarma en días extremadamente ventosos**



**IMPORTANT**

**MODE D'EMPLOI**

**CONSEILS UTILES**

**SATISFAIT AUX NORMES DE SÉCURITÉ ASTM POUR  
ALARME DE PISCINE**



Cet appareil a été conçu pour aider à la détection d'intrusions non voulues dans des piscines non surveillées, POOLGARD EST UN SYSTÈME D'ALARME ET PAS UN APPAREIL DE SAUVETAGE. Cet appareil n'a pas pour but de remplacer d'autres mesures de sécurité comme surveillance par adultes, maître nageurs, clôtures, barrières, couvertures de piscine, serrures, etc., et certains appareils peuvent ne pas détecter une entrée graduelle.

## **GÉNÉRALITÉS**

POOLGUARD est le résultat d'un design et de techniques de fabrication de qualité qui sont la norme chez PBM Industries, Inc., une société vouée à des produits de haute qualité. POOLGUARD est le résultat de cet engagement et nous garantissons le système d'alarme POOLGUARD. Les alarmes de piscine POOLGUARD sont vérifiées par ETL selon les normes de sécurité et de performance ASTM pour alarmes de piscine, ASTM F2208.

POOLGUARD est un système de surveillance électronique qui sonne l'alarme automatiquement quand un enfant ou un animal tombe dans une piscine non surveillée. Les alarmes de piscine POOLGUARD sont conçues pour détecter une intrusion semblable à un enfant d'un an qui pèse 18 livres (8 kg). POOLGUARD est un appareil portable, autonome, léger, facile à utiliser et sans danger. Une entrée dans la piscine sera détectée par le capteur électronique de l'appareil, déclenchant une alarme sonore à répétition et un transmetteur interne RF. Le récepteur à distance recevra le signal transmis et sonnera l'alarme dans la maison.

## **INSPECTION**

POOLGUARD est emballé dans une boîte d'expédition qui minimise les risques de dommages causés par la manutention. Voir s'il y a des dommages et confirmer que la boîte contient bien les pièces suivantes :

- Appareil POOLGUARD
- Poignée
- Récepteur à distance et Alimentation électrique
- Mode d'emploi
- Garantie et Carte d'Enregistrement
- S'il manque une pièce, contacter le vendeur ou PBM Industries pour la remplacer.

## **ENTRETIEN ET MANUTENTION**

POOLGUARD est construit en plastique robuste capable de résister à l'environnement humide difficile d'une piscine. **Faire attention quand on le manipule de ne pas le laisser tomber, de ne pas le cogner, etc. Ne pas oublier aussi d'enlever l'appareil, de l'éloigner des activités et de le placer droit quand on utilise la piscine. (Voir Figure 1)**

Si l'appareil tombe accidentellement dans la piscine, le retirer immédiatement et en drainer l'eau. Démontez l'appareil comme indiqué à la Procédure de remplacement de la pile et enlever la pile. Incliner et secouer l'appareil pour enlever l'excédent d'eau de l'intérieur de l'appareil et de la pile. Essuyer autour du circuit imprimé avec un chiffon ou une serviette en papier. Tester l'appareil complètement avant chaque utilisation comme décrit dans le manuel pour en garantir la bonne marche. **(Ne pas oublier de toujours enlever l'appareil de la piscine quand se baigne et de l'éloigner de toute activité de la piscine).**

## **ATTACHER LA POIGNÉE**

Les deux vis de la poignée sont situées sur le dessus de l'alarme, les enlever et fixer la poignée (Voir Figure 1)

## **MONTER L'ALARME**

### **BOUTON REMISE À ZÉRO/VEILLE (VOIR FIGURE 1)**

**REMISE À ZÉRO** Quand l'appareil piscine est installé dans la piscine et que l'avertisseur retentit, appuyer sur le bouton remise à zéro/veille une fois pour le faire taire.

**MODE VEILLE** : Quand l'appareil piscine est enlevé de la piscine et que l'avertisseur retentit, appuyer sur le bouton remise à zéro/veille pendant trois secondes pour le faire taire. L'appareil piscine se remettra en route automatiquement quand il est installé dans la piscine. **L'APPAREIL PISCINE NE SE METTRA PAS EN MODE VEILLE UNE FOIS QU'IL EST INSTALLÉ DANS LA PISCINE!**

## **INSTALLATION SILENCIEUSE ET ENLÈVEMENT**

• Le système poolguard fera sonner une alarme (l'avertisseur retentit) quand on installe ou quand on enlève l'appareil de la piscine. Si on préfère que l'alarme ne sonne pas (l'avertisseur ne retentit pas) quand on installe l'appareil dans la piscine ou quand on l'enlève, suivre les instructions suivantes.

### **1. INSTALLATION SILENCIEUSE (L'AVERTISSEUR NE RETENTIRA PAS)**

• Appuyer sur le bouton remise à zéro/veille pendant 3 secondes jusqu'à ce que l'avertisseur de l'appareil piscine retentisse. Lâcher le bouton remise à zéro/veille, on a maintenant 15 secondes pour installer **doucement** l'appareil dans la piscine sans que l'avertisseur retentisse. **Nota** : Cela permet de déplacer le capteur de l'appareil une fois sans faire retentir l'avertisseur. Si l'appareil n'est pas installé doucement l'avertisseur peut retentir.

**POOLGUARD COMMENCERA IMMÉDIATEMENT À SURVEILLER LES ENTRÉES DANS LA PISCINE.**

### **2. ENLÈVEMENT SILENCIEUX (L'AVERTISSEUR NE RETENTIRA PAS)**

• Avant d'enlever l'appareil piscine de la piscine. Appuyer sur le bouton remise à zéro/veille pendant 3 secondes jusqu'à ce que l'avertisseur de l'appareil piscine retentisse. Lâcher le bouton remise à zéro/veille, on a maintenant 5 secondes pour installer l'appareil piscine dans la piscine sans que l'avertisseur retentisse. **IMPORTANT : CELA N'ARRÊTE PAS POOLGUARD, SI ON N'ENLÈVE PAS L'APPAREIL, IL CONTINUERA À SURVEILLER LES INTRUSIONS DANS LA PISCINE.**

### **3. POOLGUARD A CONÇU CETTE FONCTION "UNIQUEMENT" POUR CEUX QUI POSENT L'ALARME DANS LA PISCINE OU L'EN ENLÈVENT.**

## **POSE DE LA PILE/REMPACEMENT**

(Pile non comprise)

POOLGUARD est alimenté par une pile standard alcaline de 9 volts. Pour poser ou enlever la pile :

- Enlever la vis au fond de l'appareil, voir la Figure 1.
- Faire glisser soigneusement l'ensemble électronique, ne pas tirer sur le câble de branchement interne. (si nécessaire, secouer doucement l'appareil pour enlever l'ensemble)
- Enlever la pile usagée et vérifier s'il y a des fuites ou de la corrosion. (Le cas échéant, enlever le résidu ou la corrosion avant de poser la nouvelle pile)

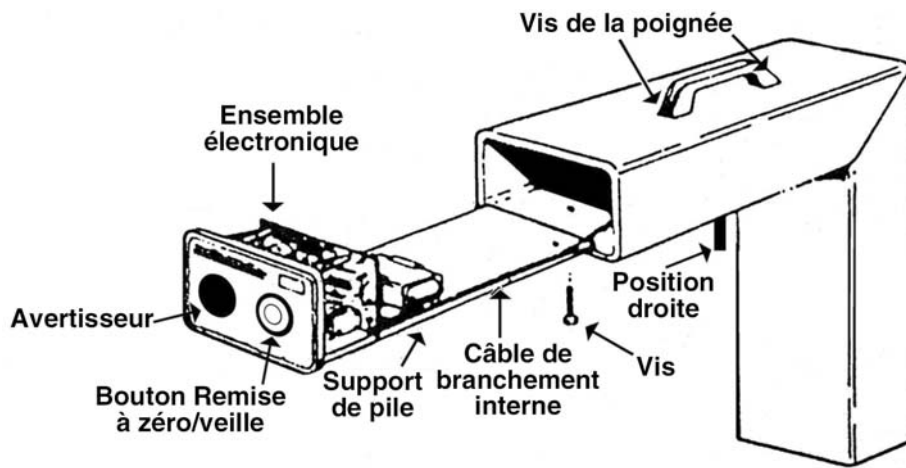
**• IMPORTANT: L'AVERTISSEUR RETENTIT QUAND ON MET POUR LA PREMIÈRE FOIS UNE PILE DE 9 VOLTS DANS L'APPAREIL PISCINE. POUR FAIRE TAIRE L'ALARME, APPUYER SUR LE BOUTON REMISE À ZÉRO/VEILLE PENDANT 3 SECONDES. CELA MET L'APPAREIL EN FONCTION VEILLE. L'APPAREIL PISCINE SE REMET AUTOMATIQUEMENT EN MARCHÉ QUAND ON L'INSTALLE DANS LA PISCINE.**

- Poser la nouvelle pile en attachant le raccord et en faisant glisser dans le support de pile.
- Faire glisser l'ensemble électronique dans l'appareil (voir Figure 1 pour s'assurer que l'ensemble électronique est installé correctement ; ne pas pincer le câble de branchement interne.
- Remettre la vis, serrer jusqu'à ce qu'elle soit complètement enfoncée et au ras de l'appareil piscine.

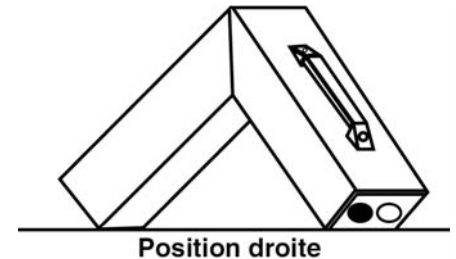
Pour éviter les dommages, la pile doit être enlevée quand on range l'alarme pendant une longue période.

### **FONCTION PILE FAIBLE**

L'APPAREIL ET LE RÉCEPTEUR À DISTANCE biperont environ toutes les 20 secondes pour avvertir que la pile est basse dans l'appareil piscine et doit être remplacée.

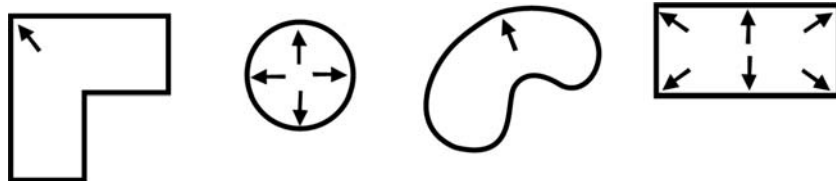


## APPAREIL PISCINE FIGURE 1



### **PLACER DANS LA PISCINE**

La Figure 2 illustre les meilleurs emplacements pour la détection d'intrusions n'importe où dans la piscine. Si la piscine mesure plus de 72 mètres carrés, a plus de 2 tuyaux de retour, si on s'inquiète de sa taille ou si la piscine est de forme irrégulière, appeler le service clientèle pour clarifier le nombre recommandé d'alarmes ainsi que leur emplacement. 1-812-346-2648. Les alarmes de piscine Poolguard ont été testées et certifiées par ETL dans une piscine de 5 mètres x 10 mètres. On peut utiliser les alarmes POOLGUARD dans des piscines de 6 mètres x 12 mètres soit de 72 mètres carrés



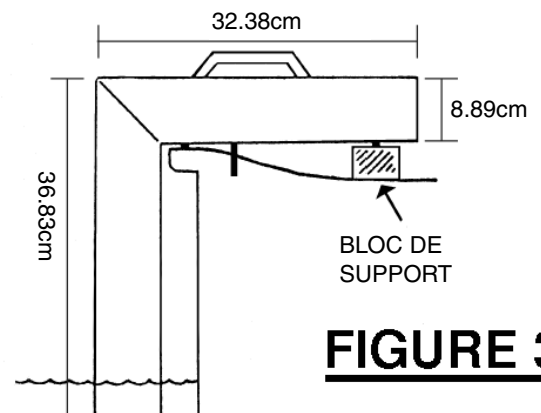
## FIGURE 2

Piscines de 72 mètres carrés ou moins.

### **PLACEMENT DANS LA PISCINE(Suite)**

POOLGUARD compense automatiquement pour les variations dans le niveau de la piscine dans la portée de l'appareil. L'appareil utilise un col capteur qui s'avance dans l'eau et est conçu pour fonctionner dans la plupart des piscines avec un écumeur dans le mur. Il ne faut pas que le col capteur soit placé à moins de 5.1 centimètres (voir Figure 3) et à plus de 17 centimètres de profondeur, POOLGUARD recommande qu'il soit placé à environ 10 centimètres de profondeur. POOLGUARD peut être utilisé avec des couvre-piscines solaires. On peut aussi utiliser POOLGUARD dans des jacuzzis.

**LE COL CAPTEUR NE DOIT PAS ÊTRE À MOINS DE 5.1 CENTIMÈTRES DE PROFONDEUR. POOLGUARD RECOMMANDE QU'IL SOIT PLACÉ À ENVIRON 10 CENTIMÈTRES DE PROFONDEUR.**





## IMPORTANT

POOLGUARD peut ne pas fonctionner correctement si le niveau de l'eau n'est pas maintenu au niveau requis par l'alarme. L'appareil peut aussi ne pas fonctionner correctement pendant que certains types de nettoyeurs automatiques opèrent dans la piscine.

Certaines plages irrégulières peuvent ne pas offrir une base plane pour l'appareil au bord de la piscine. Ce problème mineur peut être résolu en soutenant l'appareil de façon appropriée (Voir Figure 3).

## STABILISER L'ALARME DE PISCINE

La tige de stabilisation (ASP) a été installée dans l'alarme à l'usine.

Outils nécessaires pour installer l'alarme : Un foret de maçonnerie de 8 mm que l'on peut trouver dans toutes les quincailleries, une perceuse, un mètre coulissant ou une règle graduée.

1. Placer l'alarme de façon à ce que le capteur soit dans l'eau et que l'ASP touche la plage, (Bien laisser un petit intervalle entre le capteur et le bord de la plage), voir Figure 4.

2. Marquer au crayon l'endroit où l'on désire percer le trou de l'ASP.

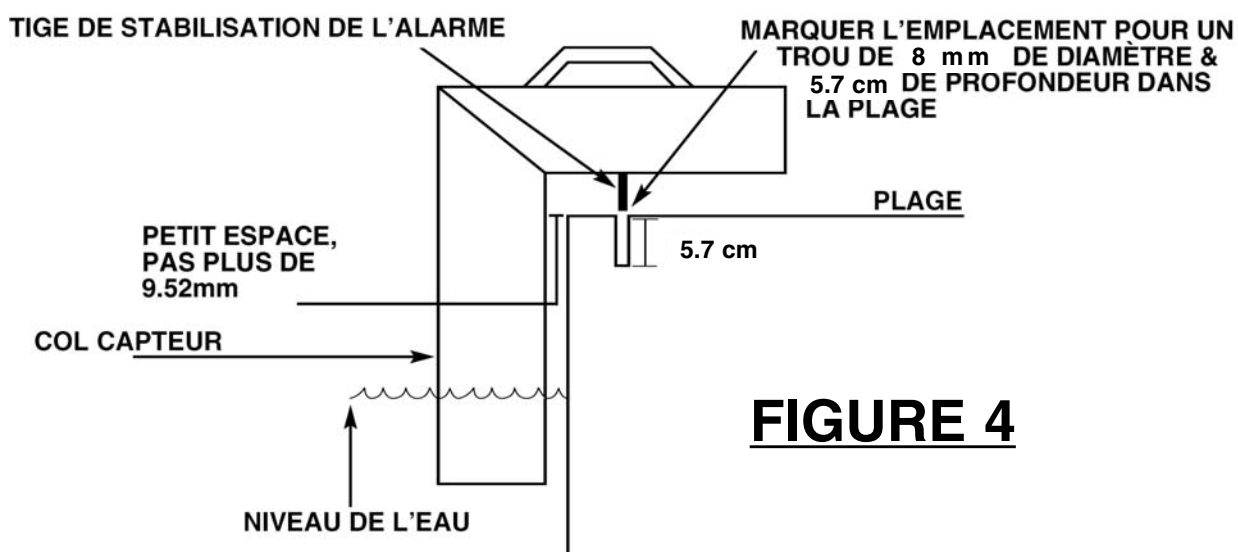
3. Avec le foret de maçonnerie de 8 mm, percer un trou de 5.7 cm de profondeur aussi droit que possible.

4. Nettoyer les débris et installer l'alarme en plaçant l'ASP dans le trou de 8 mm de diamètre et de 5.7 cm de profondeur.

5. On peut maintenant utiliser l'alarme. Pour toutes questions ou pour assistance à l'installation, appeler le 1-812-346-2648.

6. Toujours enlever les débris et la terre du trou de l'ASP pour que l'alarme reste toujours à plat sur la plage une fois installée.

## NE PAS OUBLIER D'ENLEVER L'APPAREIL AVANT DE SE Baigner



LE COL CAPTEUR NE DOIT PAS ÊTRE À MOINS DE 5.1 CENTIMÈTRES DE PROFONDEUR. POOLGUARD RECOMMANDE QU'IL SOIT PLACÉ À ENVIRON 10 CENTIMÈTRES DE PROFONDEUR.

## TESTER AVANT D'UTILISER

Pour en garantir l'efficacité, tester POOLGUARD chaque fois qu'on le place dans la piscine en faisant la procédure suivante :

- **POOLGUARD N'A PAS DE BOUTON MARCHÉ/ARRÊTE,**

Quand l'alarme est dans la piscine elle est toujours en position **MARCHE**, et elle ne peut pas être éteinte. Quand l'alarme est hors de la piscine, elle est toujours en position **ARRÊT**.

- Pour tester l'alarme pousser un objet d'un volume et d'un poids appropriés dans la piscine le plus loin possible de l'alarme. Une bonbonne d'eau de dix-huit (18) litres ou 12 bouteilles d'un litre et demi (1.5) attachées ensemble sont parfaites pour le test. L'alarme doit sonner quand le mouvement d'eau causé par l'intrusion atteint l'appareil. L'alarme peut prendre quelques secondes pour réagir au mouvement de l'eau.

- Après avoir remis l'alarme à zéro et avoir permis à l'eau de se calmer, répéter la procédure à un autre endroit de la piscine jusqu'à ce que l'on ait confiance dans la détection.

- POOLGUARD comprend une fonction minuterie qui remet automatiquement l'appareil à zéro après que l'alarme ait sonné pendant environ 5 minutes.

## RÉGLAGE DU TUYAU DE RETOUR

L'appareil POOLGUARD ne doit pas être placé trop près d'un tuyau de retour. La turbulence de l'eau peut être trop forte et déclencher une fausse alarme. S'il y a plus de 2 tuyaux de retour, appeler le Service Clientèle au 1-812-346-2648. Il est très important de régler toutes les buses des tuyaux de retour pour qu'elles n'interfèrent pas avec l'alarme de la piscine. Il n'est pas nécessaire que la buse pointe vers le haut pour que l'eau circule correctement. Si l'eau tourbillonne en surface, cela rend la piscine trop turbulente pour que l'alarme fonctionne correctement. Pointer la buse vers le bas, l'eau circulera correctement et l'alarme fonctionnera correctement. Si on pointe la buse vers le haut, l'alarme peut ne pas fonctionner correctement. (Voir Figure 5)

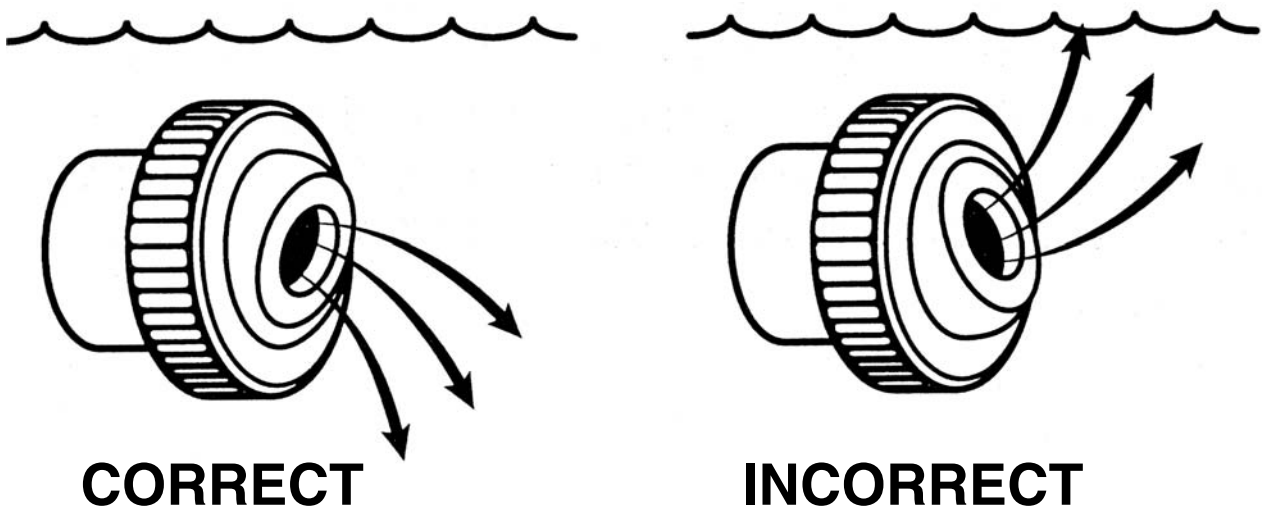


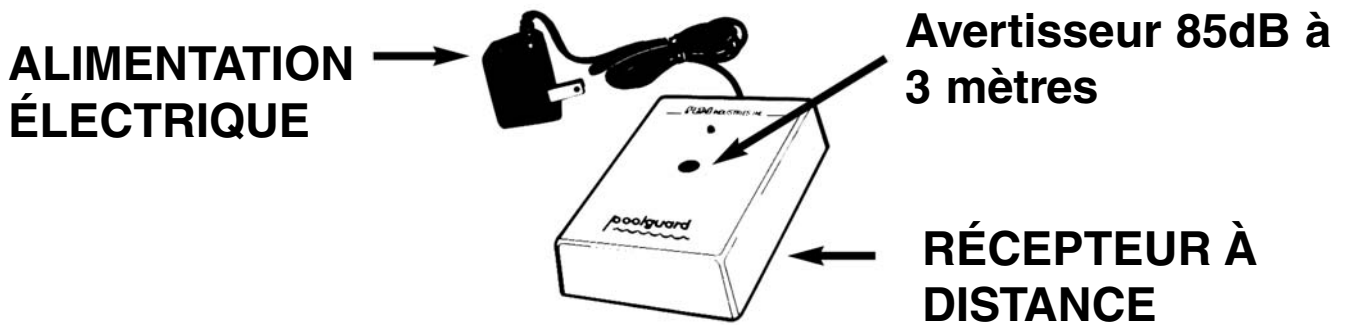
FIGURE 5

## RÉCEPTEUR À DISTANCE POOLGUARD

Le RÉCEPTEUR À DISTANCE POOLGUARD a été intégré dans l'appareil standard POOLGUARD pour fournir une alarme sans fil à une distance allant jusqu'à 60 mètres. Le RÉCEPTEUR À DISTANCE POOLGUARD sonne l'alarme dans la maison quand POOLGUARD est activé à la piscine. Le système à distance contient les éléments fonctionnels suivants :

- Un récepteur à impulsions codées (Récepteur à Distance). Figure 6
- Alimentation électrique d'une prise murale standard Figure 6

Le RÉCEPTEUR À DISTANCE est un appareil compact avec alimentation électrique CA/DC homologuée CE et CSA. En Europe l'alimentation électrique est conforme **CE** et RoHS. On peut placer le RÉCEPTEUR À DISTANCE sur une table ou un comptoir à l'intérieur de la maison. Le signal radio codé est envoyé par l'appareil et reçu et décodé sous forme sonore par le récepteur à distance. **Le récepteur à distance sonnera pendant encore 3 secondes après l'arrêt de l'alarme de l'appareil piscine. Si le RÉCEPTEUR À DISTANCE bipe environ une fois toutes les 20 secondes, cela indique que la pile de 9v dans l'appareil est basse et doit être remplacée.** Si, après avoir acheté l'alarme POOLGUARD on désire ajouter un autre récepteur à distance au système d'alarme, on peut l'acquérir chez PBM Industries, Inc. Contacter PBM par téléphone ou courrier ou contacter le détaillant.



**FIGURE 6**

### **POUR OPÉRER LE RÉCEPTEUR, À DISTANCE**

Essayer de placer le RÉCEPTEUR À DISTANCE dans un endroit pratique de la maison proche de la piscine. Éviter les murs en acier ou tous autres objets en métal ou obstructions pouvant interférer avec la réception du signal. Le RÉCEPTEUR À DISTANCE doit être placé dans la maison au même niveau, ou plus haut, que la piscine (ne pas mettre le récepteur à la cave). L'emplacement idéal du RÉCEPTEUR À DISTANCE serait une fenêtre donnant sur la piscine. Tester le RÉCEPTEUR À DISTANCE dans plusieurs emplacements dans la maison pour trouver le meilleur endroit pour le récepteur Brancher l'alimentation et s'assurer que le témoin lumineux rouge est allumé. Le RÉCEPTEUR À DISTANCE est maintenant prêt à recevoir une transmission de l'appareil POOLGUARD. **NE PAS UTILISER LE RÉCEPTEUR À DISTANCE À L'EXTÉRIEUR.**

## **CONSEILS DE SÉCURITÉ POUR LA PISCINE**

- Surveiller constamment les enfants.
- Ne jamais permettre de se baigner seul. Ne jamais laisser un enfant seul, même pour répondre au téléphone.
- Toujours enlever complètement la couverture solaire de la piscine avant de se baigner.
- Ne pas oublier qu'alcool et sécurité dans l'eau ne font pas bon ménage.
- Faire clore la piscine et fermer le portillon pour empêcher une entrée non autorisée dans la piscine et installer une alarme de portillon.
- Bien fermer toutes les portes de la maison permettant d'accéder facilement à la piscine et installer une alarme aux portes.
- Faire enseigner la natation et la sécurité dans l'eau aux enfants par un adulte responsable.
- Garder la piscine pleine d'eau propre et claire.
- Ne pas nager pendant une tempête électrique.
- Ne pas permettre l'utilisation de bouteilles, de verre ou d'objets pointus autour de la piscine.
- Demander au concessionnaire comment améliorer la sécurité de la piscine - il sera ravi de vous aider.
- Surtout : se rappeler que le bon sens, la prise de conscience et la prudence permettent de profiter de sa piscine.

## **GARANTIE ET RÉPARATIONS**

POOLGUARD est vendu avec une garantie limitée qui couvre les vices de matériaux et de main d'œuvre pendant trois ans à partir de la date d'achat (garder la preuve d'achat). Si POOLGUARD a un défaut, appeler le Service Clientèle au 1-812-346-2648. Les renvois non autorisés ne seront pas acceptés. Des réparations correctes ne sont assurées que quand l'appareil est renvoyé au fabricant.

### **ENVOYER LA CORRESPONDANCE À :**

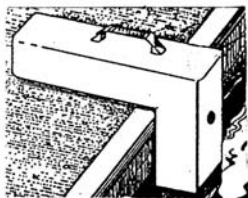
**PBM INDUSTRIES, INC.  
P.O.BOX 658, NORTH VERNON, IN 47265  
1-800-242-7163**

Ce produit a été conçu pour aider à la détection d'intrusions non voulues dans des piscines non surveillées. POOLGUARD EST UN SYSTÈME D'ALARME ET PAS UN APPAREIL DE SAUVETAGE. " Cet appareil n'a pas pour but de remplacer d'autres mesures de sécurité comme surveillance par adultes, maîtres nageurs, clôtures, barrières, couvertures de piscine, serrures, etc., et certains appareils peuvent ne pas détecter une entrée graduelle. "



REV. 3/2006

# CONSEILS UTILES ET DÉPANNAGE



Appareil piscine

# poolguard®

Alimentation électrique



Récepteur à distance

## FAUSSES ALARMES

Toutes les alarmes de piscine auront de temps en temps des fausses alarmes pour plusieurs raisons. Les fausses alarmes peuvent être cependant minimisées, il est important de se rappeler qu'une fausse alarme est mieux que pas d'alarme du tout. **TEMPS ET VENT** - POOLGUARD est stationnaire sur la plage de la piscine de telle façon que le vent n'aura pas d'effet sur l'alarme elle-même. Le vent peut causer une fausse alarme s'il est assez fort ou régulier pour faire remuer l'eau de la piscine et la faire rebondir sur les murs. Si l'eau de la piscine va de haut en bas dans le capteur de POOLGUARD, cela peut éventuellement faire sonner l'alarme. Lors de journées très venteuses quand l'eau remue il est recommandé d'enlever le POOLGUARD de la piscine. **Un peu de vent ou une pluie légère n'affecteront pas l'alarme POOLGUARD.** Une autre fausse alarme peut se produire si on essaye d'installer l'alarme trop tôt après s'être baigné. Suivant la taille de la piscine et le type d'activité, l'eau peut remuer et rebondir sur les murs pendant un certain temps après que l'on se soit baigné. **Avant d'installer l'alarme après la baignade il faut donner à la piscine le temps de se calmer.** La durée peut varier, (entre 10 et 30 minutes), quand on voit que l'eau ne remue plus le long des murs, il est temps d'installer l'alarme. Dans certains cas, certains nettoyeurs automatiques peuvent déclencher l'appareil POOLGUARD. Une fausse alarme peut se produire quand la tête ou le tuyau du nettoyeur touche l'alarme POOLGUARD. La solution est de nettoyer la nuit et d'utiliser l'alarme pendant le jour. Une autre option est de trouver un endroit autour de la piscine où le nettoyeur n'interfère pas avec l'alarme.

## METTRE L'ALARME EN POSITION

Pour obtenir des résultats optimaux, placer l'alarme sur une surface plate et solide. Le col de l'appareil est conçu pour fonctionner dans la plupart des piscines avec un skimmer mural. Le niveau d'eau sur le col est important et doit être vérifié. Le col capteur ne doit pas être à moins de 5.1 centimètres et à plus de 17 centimètres de profondeur dans l'eau. POOLGUARD recommande que le capteur soit à environ 10 centimètres de profondeur. POOLGUARD peut être utilisé avec une couverture solaire. Il est cependant recommandé, avant d'enlever la couverture, de sortir l'alarme pour qu'elle ne soit pas tirée dans la piscine.

## TESTER L'ALARME

Faire tomber le plus loin possible de l'alarme quelque chose ayant approximativement la taille, le poids et le volume du plus petit enfant de la famille. Une bonbonne d'eau de dix-huit (18) litres ou 12 bouteilles d'un litre et demi (1.5) attachées ensemble sont parfaites pour le test. **Ne pas oublier d'attendre environ 15 minutes entre tests pour donner à l'eau le temps de se calmer.**

## L'ALARME NE SONNERA PAS

S'assurer qu'une pile de 9 volts a été correctement installée. Si POOLGUARD ne sonne pas l'alarme pendant un test, s'assurer que le test est fait correctement - mettre les pieds dans la piscine, agiter l'eau avec les mains, faire des vagues avec un skimmer ou faire tomber dans la piscine -quelque chose d'une taille, d'un poids et d'un volume insuffisant ne déclenchera pas l'alarme! Tester est très important et doit être fait correctement.

## **ENTRETIEN ET MANUTENTION**

POOLGUARD est fabriqué en vinyle PVC solide et rigide - évalué UV. Comme l'alarme est électronique et mécanique, il faut faire très attention de ne pas la laisser tomber. Elle peut se casser comme tous les autres appareils. Le soleil et la pluie n'abîmeront pas l'alarme. POOLGUARD est résistant aux intempéries mais n'est pas étanche. Il faut faire très attention de ne pas faire tomber l'alarme dans la piscine. Si l'alarme tombe dans la piscine voir les instructions dans le manuel sur la façon de la sécher. Il est très vraisemblable qu'il faudra la renvoyer à l'usine pour réparations. **Ne jamais oublier d'enlever l'alarme avant d'utiliser la piscine.**

## **RÉCEPTEUR À DISTANCE**

Le RÉCEPTEUR À DISTANCE sonne quand il y a une alarme à la piscine. La portée maximum du récepteur à distance est de 61 mètres de l'appareil piscine. Éviter de placer le récepteur à la cave ou près de murs en métal. S'assurer que le témoin lumineux du récepteur est allumé. Ne pas oublier que l'appareil piscine doit bipper (alarme) pour que le récepteur fonctionne.

Si le récepteur à distance ne reçoit pas de signal clair ou ne reçoit aucun signal de l'appareil piscine, essayer ceci : Avant de brancher dans l'alimentation électrique, bien étirer le cordon, ne pas le garder attaché comme livré. Quand on branche le récepteur pour la première fois il fait un court bip fort.

Le récepteur à distance est similaire à une petite radio portative. Si le récepteur ne sonne pas quand l'appareil piscine sonne, mettre le récepteur dans différents endroits et attendre quelques secondes que le récepteur capte le signal. Il peut suffire de déplacer le récepteur légèrement à gauche ou à droite pour capter le signal - dans certains cas il peut falloir mettre le récepteur dans un endroit différent ou dans une autre pièce. Si on ne peut pas obtenir de signal du récepteur à distance APPELER LE SERVICE CLIENTÈLE AUX U.S.A. AU 1-812-346-2648.

## **FAIRE ET NE PAS FAIRE**

- Lire soigneusement le manuel
  - Installer une pile de 9 volts
  - Défaire le nœud de l'alimentation électrique.
  - Bien tester l'alarme
  - Transporter l'alarme par la poignée
  - Enlever l'alarme avant de se baigner
- 
- Enlever l'alarme de la piscine avant de se baigner
  - Ne pas laisser tomber l'alarme, elle peut se casser.
  - Ne pas cogner l'alarme et ne pas la laisser tomber dans la piscine
  - Ne pas installer l'alarme immédiatement après s'être baigné
  - Ne pas utiliser l'alarme les jours très venteux





# poolguard®



**POOLGUARD POOL ALARMS**  
**"BEST SOLUTION"**  
**GOOD HOUSEKEEPING**  
**MAGAZINE**

*The name you can trust,  
since 1982.*

One source for all  
your pool safety alarms,  
number one in  
customer service.  
All products  
made in the USA.



**IN GROUND  
POOL ALARM  
WITH REMOTE**



**ABOVE GROUND  
POOL ALARM  
WITH REMOTE**



**Poolguard's  
Family of Products  
Helps Protect Your Family!**



**GATE ALARM**



**DOOR ALARM**

[www.poolguard.com](http://www.poolguard.com)

**Call Toll Free 1-800-242-7163**

P.O. Box 658 • North Vernon, Indiana 47265