

# Owner's Manual

## A-Frame Ladder



#71550

**Read the instruction manual carefully before assembly and use.  
Please also save it for future reference.**

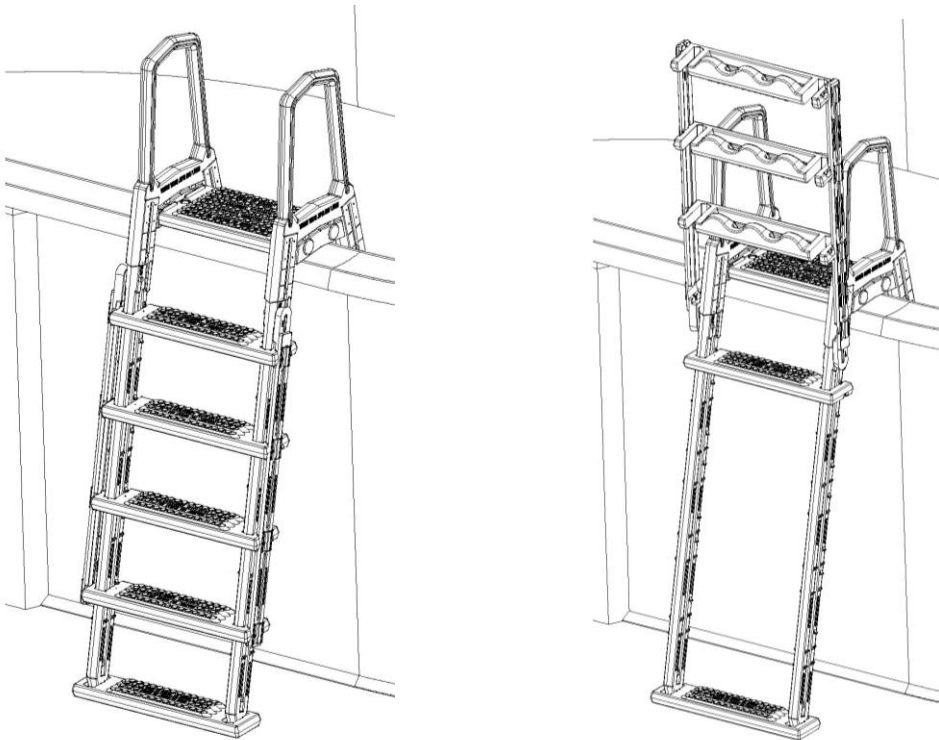
# Table of Content

1. Product Introduction.....	2
2. Warning and Caution .....	2
3. Assembly and Use Instructions .....	3
4. Routine Maintenance .....	9
5. Parameter List .....	9
6. Explosion Diagram and List of Accessories .....	10

## 1. Product Introduction

The A-Frame ladder adopts blow molding process and polyethylene material, which has strong corrosion-resistance feature. The whole ladder has been polished to ensure a nice foot touch. The treads have round embossments which effectively prevents slipping. Enforced thick material guarantees the safety, stability and durability.

The ladder is suitable for 48 -54" aboveground swimming pools. The external ladder is designed to be swung up. When the swimming pool is not in use, the external ladder can be swung up and fixed to prevent children from accidentally entering.





## **⚠ WARNING**

- **No diving or jumping!** shallow water, diving may result in serious injury or death.
- To prevent injuries install the ladder on a solid base.
- **To prevent drowning or serious injuries**, the ladder must be used and installed as per the manufacturer instructions.
- **Do not swim under or behind this ladder**, entrapment or drowning can result. **Watch children at all time.**
- To prevent unauthorised access & drowning, **flip up the outer ladder and lock it when the pool is not in use.**
- To prevent falls, face the ladder when entering and leaving the pool.
- One person on the ladder at a time.
- **Prevent falls and ladder failure** due to excessive load, the **maximum load is 250lb.**

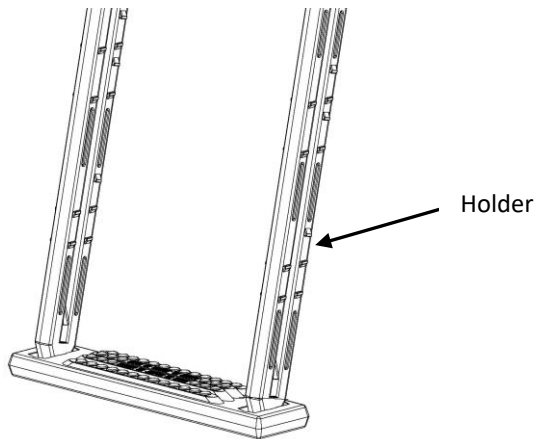
## **CAUTION**

- In order to avoid injury during the installation and handling of this ladder, it is recommended for two people to carry them together.
- A different type of ladder might be mandatory in your area, check your local pool installation regulations. Regulations may differ in state localities or provinces.
- Failure to use or install the ladder according to the instructions provided might void the manufacturer warranty.

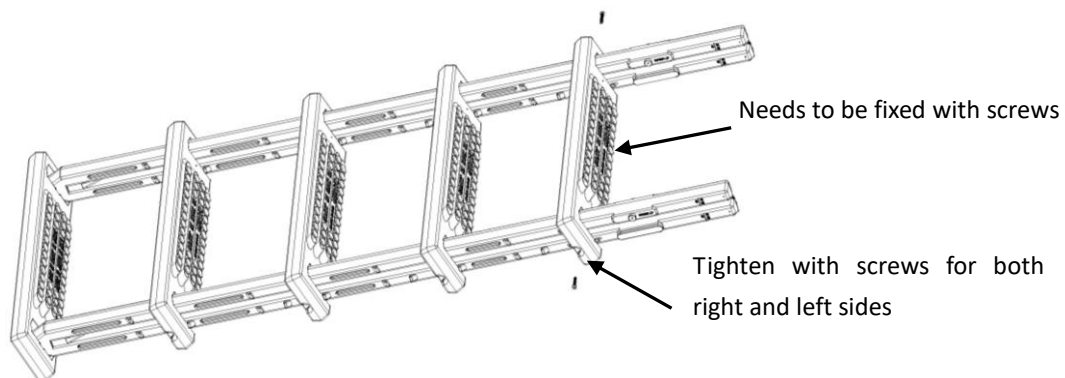
### 3. Assembly and Use Instruction

- a) Remove the A-Frame ladder and its accessories from the box and check that all the accessories are complete.
- b) Place one of the bottom tread on a flat surface with the grooved side facing up; then snap the two holders into the grooves.

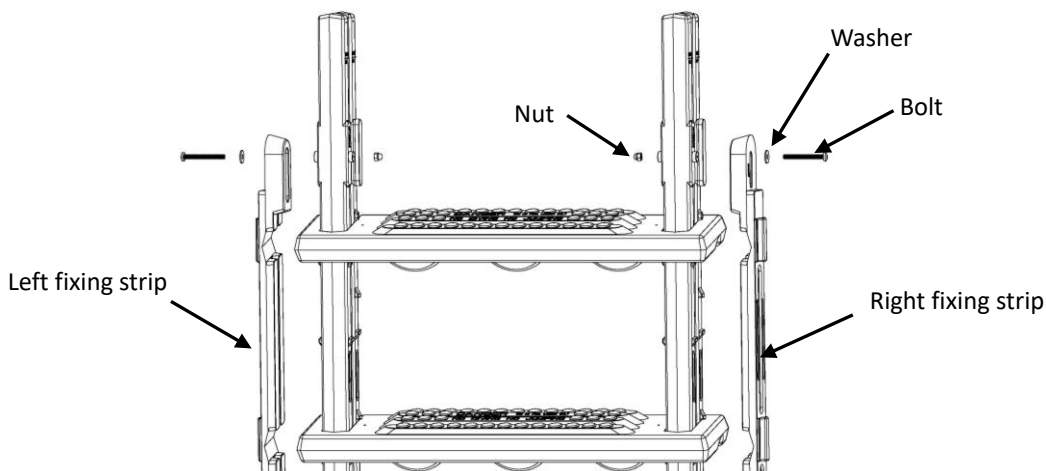
**Note:** The two holders need to be snapped into the groove in the same direction.



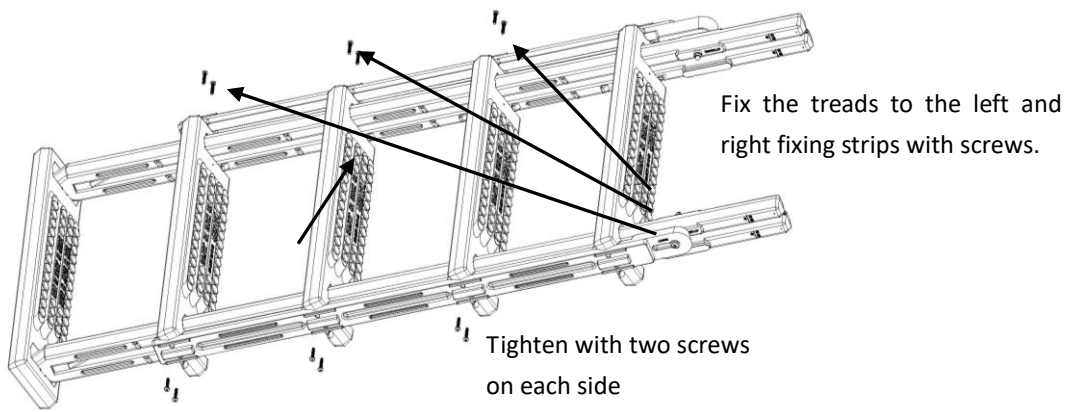
- c) Install four treads to the holders, as illustrated below. Fix the top tread to the holders with #10x1-1/4" screws.



- d) Fix the left and right fixing strips with bolts, washers (M6), and nuts (M6\*85). Do not overtighten (the accessories are in screw kit #5862050002)

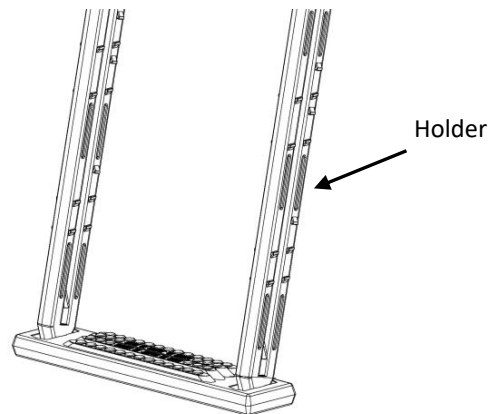


- e) Use #10x1-1/4" screws to fix the other three treads, then put aside for further processes.

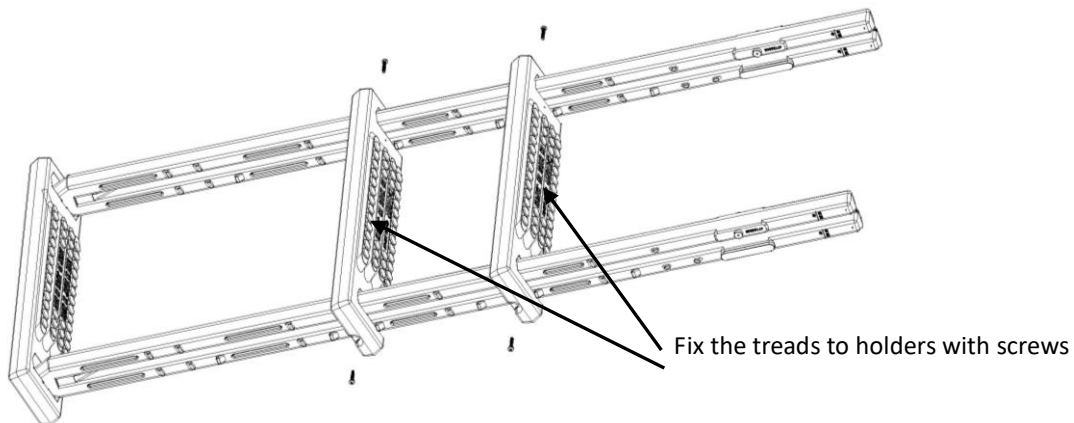


- f) Place the second bottom tread on a flat surface with the grooved side facing up; then snap the two holders into the groove.

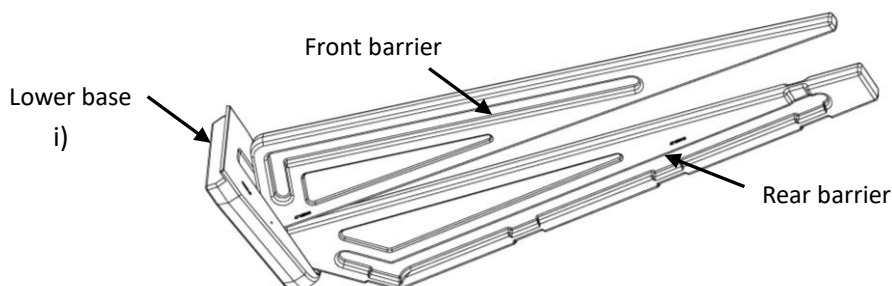
**Note:** The two holders need to be snapped into the groove in the same direction.



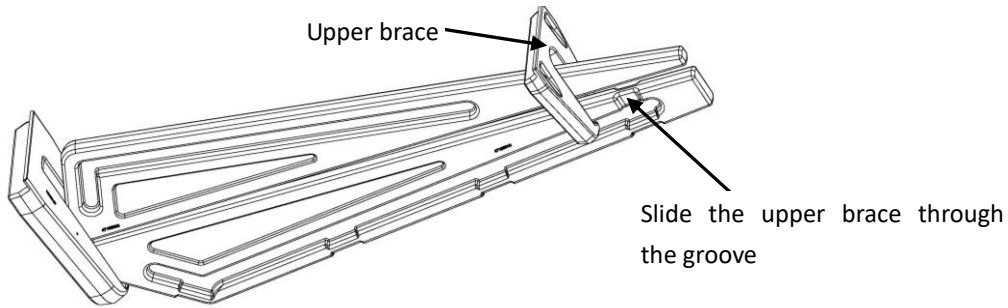
- g) Fix the treads to the holders with #10x1-1/4" screws.



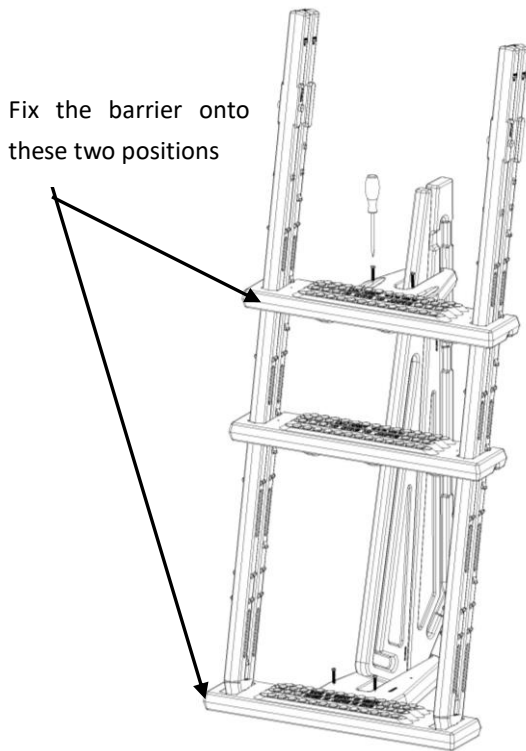
- h) Place the lower base of the entrapment barrier on a level surface. Snap the front barrier into the groove on the lower base facing the round edge. Snap the rear barrier into the groove on the lower base facing the straight side.



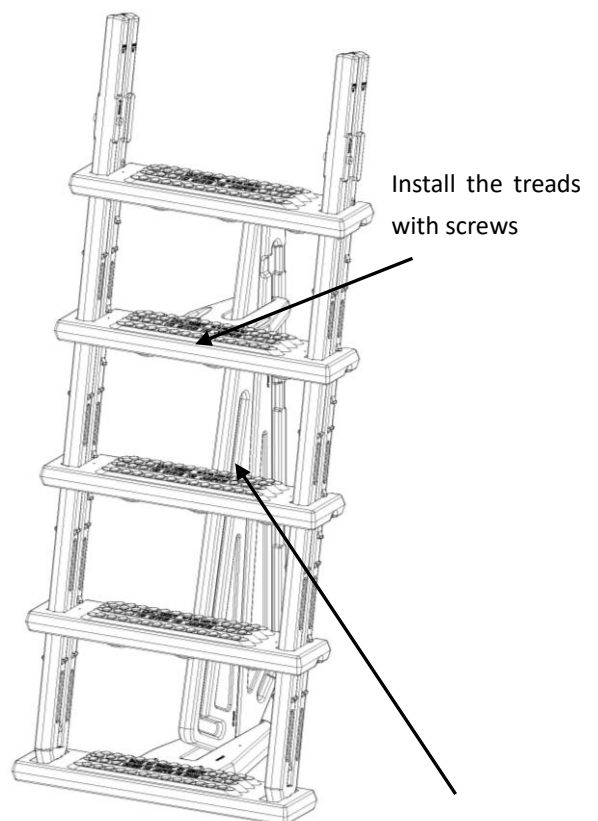
- j) Slide the upper brace over the front barrier as shown. Slide the upper brace through the groove in the rear barrier and push down lightly to secure.



- k) Fix the lower base of the entrapment barrier into the bottom step of the inside portion of the A-Frame ladder with 2 #10x1-1/4" screws.

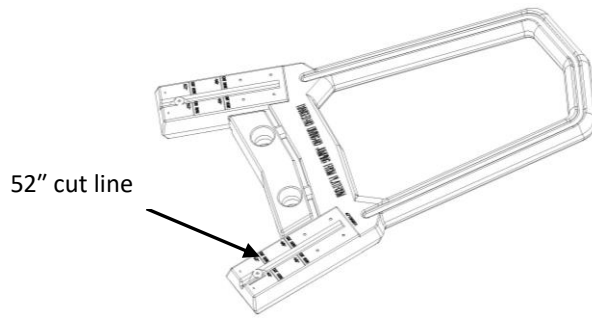


- l) Fix the remaining two treads with #10x1-1/4" screws into the grooves of the holders.

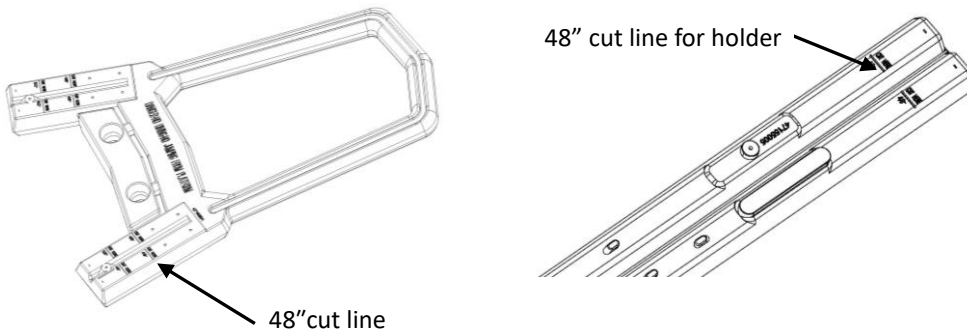


m) This ladder is designed to fit multiple pool heights.

**If your pool height is 52"**, locate the first line on the handrail of the ladder. Using a hacksaw, cut the handrail evenly through both sides

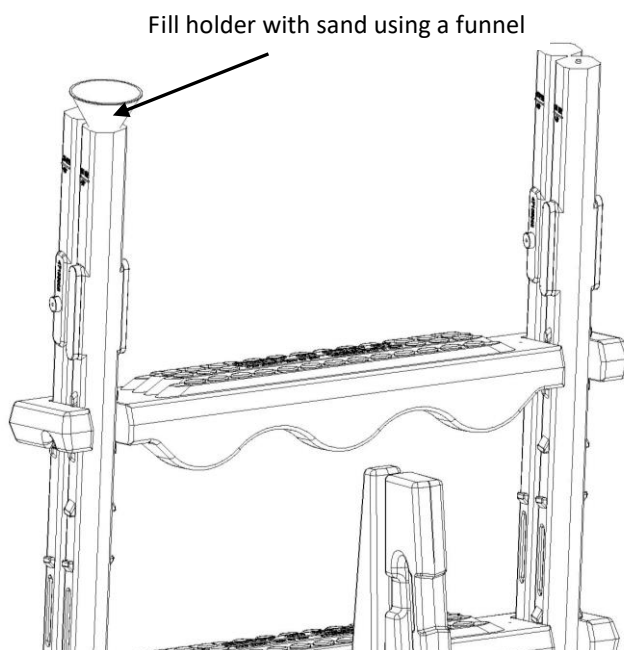


**If your pool height is 48"**, locate the second line on the handrail and, using a hacksaw, cut the handrail evenly through both sides. Locate the line on the holder and cut the redundancies evenly through both sides.



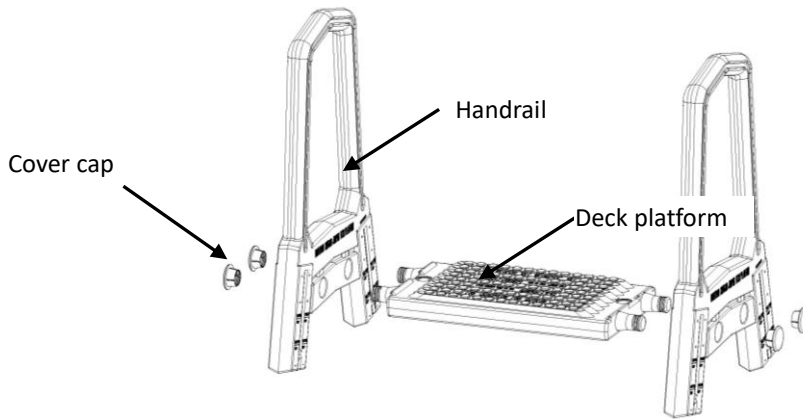
No cut needed **if your pool height is 54"**.

n) Using a funnel, fill both holders with sand. Use approximately 20 Lbs. of sand in each holder. The entrapment barrier in step K has a front and rear barrier.



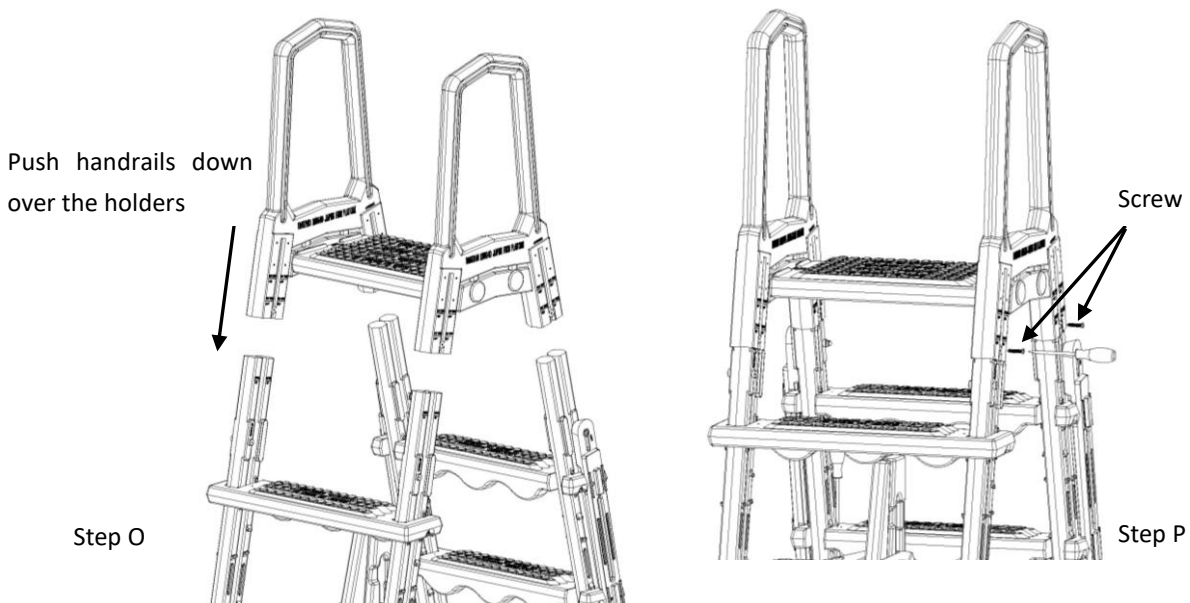


- o) Assemble the handrails to the platform, center the cover cap opening on the side of the handrail where the platform was just attached. Using a rubber mallet/hammer, tap on the cap until it is flush with the handrail.



- p) Attach the handrails by pushing them down over the holders.

- q) Secure all handrails to the legs with #10x1-1/4" screws.

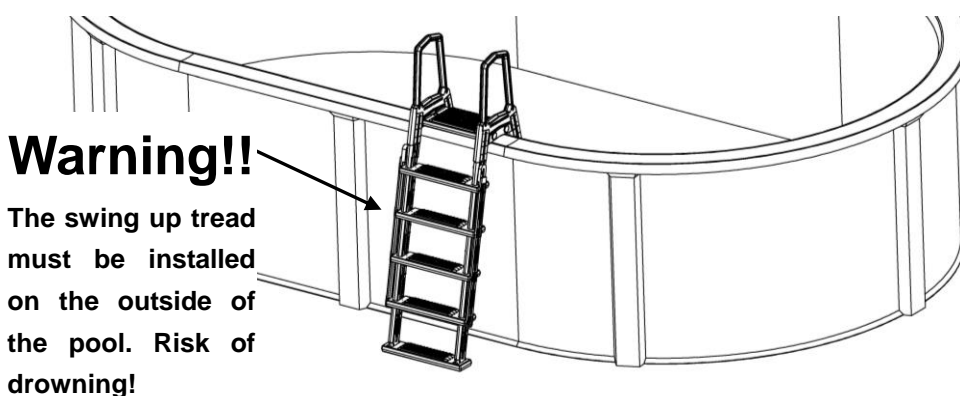


- r) Place the assembled ladder inside the pool where you would like to enter and exit. The entrapment barrier should be inside of the pool. Once the ladder is placed in the pool, tip the ladder forward and backward and side to side to release any air that may be trapped inside. **Be careful, the corners of the ladder can be sharp, special attention is required to protect the liner when putting the ladder in water.**

**It is strongly recommended to sand the sharp corners.**

When a ladder is installed, it is recommended that a step mat should be installed underneath.

THIS ITEM IS SOLD SEPARATELY.

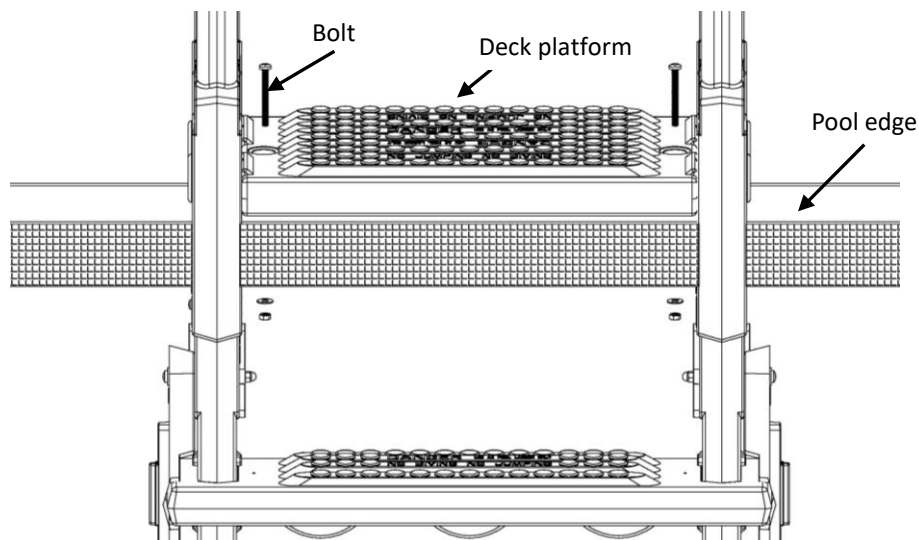


s) The A-Frame ladder must be fixed on the edge of the pool. First, align the two holes on the surface of the deck platform with the edge of the pool, mark the hole positions at the edge of the pool with a fine marker pen, then drill through the edge of the swimming pool with a 5/16" drill bit. Finally, use bolts, nuts and washers to fix the ladder on the edge of the swimming pool.

(1) Use 5862050000 screw kit (2.5" bolt) if your pool height is 48"

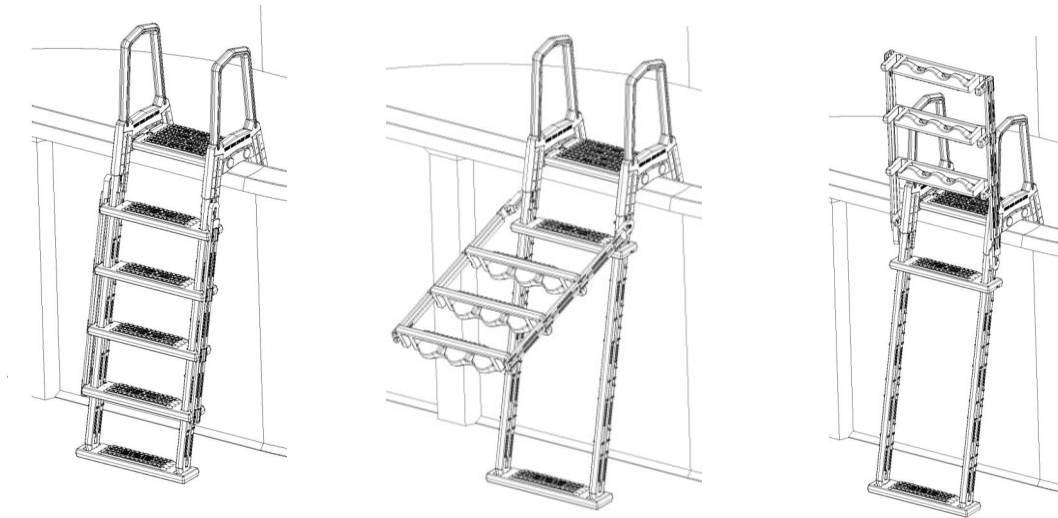
(2) Use 5862050001 screw kit (5" bolt) if your pool height is 52"

(3) Use 5862050001 screw kit (5" bolt) if your pool height is 54"



#### 4. Routine Maintenance

When the swimming pool is not in use, it is recommended to flip the outer ladder upwards, then push it down and fix it.

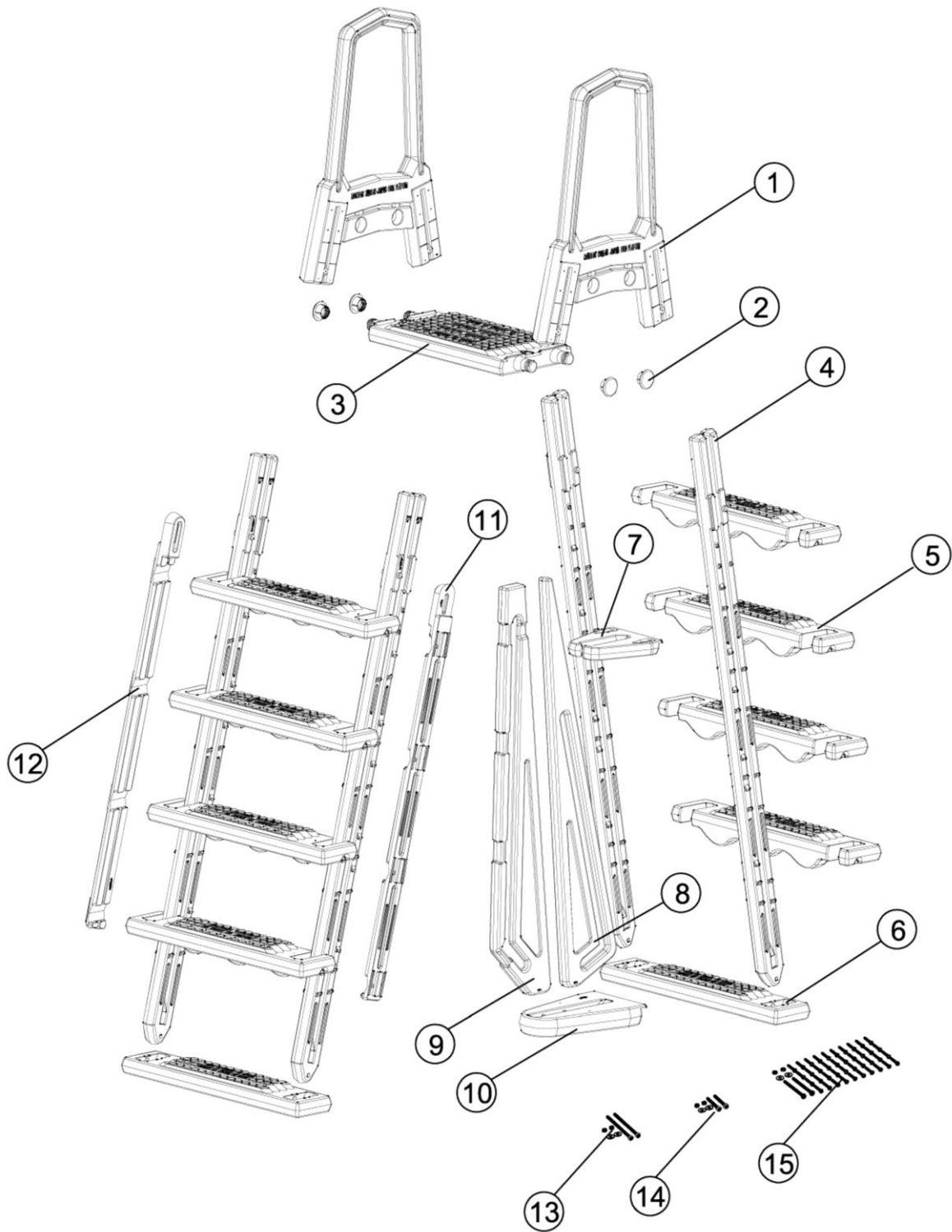


- a) In winter, the ladder must be removed.
- b) When removing the ladder, it is recommended to wash it with fresh water to remove the chemicals on the surface.
- c) Store the ladder in a warm and dry place for reuse in the next year.

#### 5. Parameter List

No.	Description	Specification
1	Application	48"-54" height aboveground pool
2	Weight limit	250 lbs
3	Material	Polyethylene
4	Product Size	1070*646*1966 MM
5	Gross Weight	
6	Package Size	600*200*1510 MM

6. Product Explosion Diagram and Accessories (parts number page 12)



<b>No.</b>	<b>Part Number</b>	<b>Description</b>	<b>Qty</b>
1	47155001	Handrail	2
2	48850112	Cover Cap	4
3	47155011	Deck Platform	1
4	47155005	Holder	4
5	47155002	Tread	8
6	47155008	Bottom Tread	2
7	47155003	Upper Brace	1
8	47155009	Front Barrier	1
9	47155010	Back Barrier	1
<b>No.</b>	<b>Part Number</b>	<b>Description</b>	<b>Qty</b>
10	47155004	Lower Base	1
11	47155007	Left Fixing Strip	1
12	47155006	Right Fixing Strip	1
13	5862050001	Screw Kit (5" bolt)	1
14	5862050000	Screw Kit (2.5" bolt)	1
15	5862050002	Screw Kit (1-1/4" bolt)	1