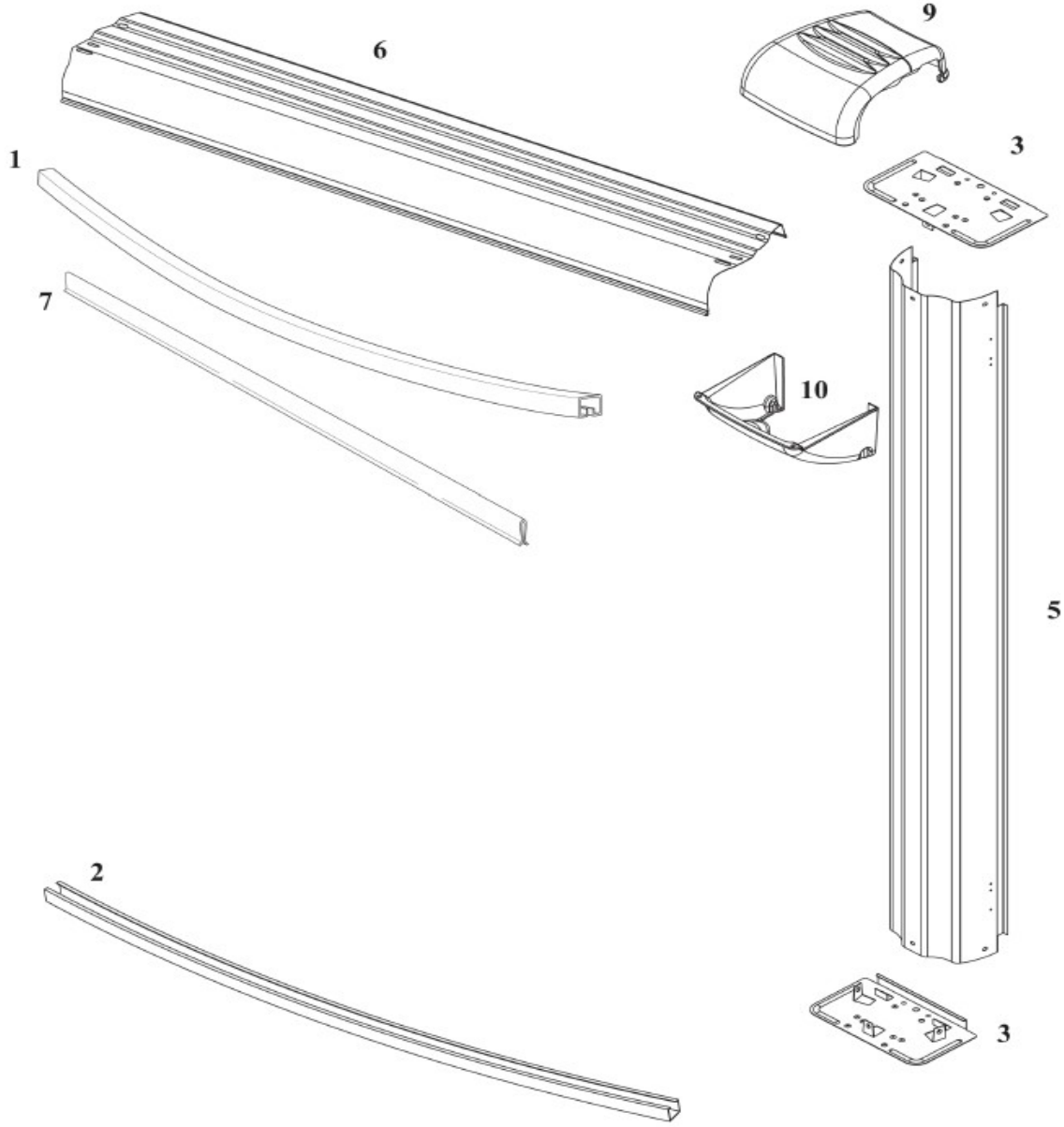


FALLSTON ROUND PFALFAL-**52SSPSSD2-WS

PMOR_**52SSPSSD2



Product Description:**Fallston Round**

9/15/2021

Product Code**PFALFAL-**52SSPSSD2-WS****Qty Required for Installation (by Size)**

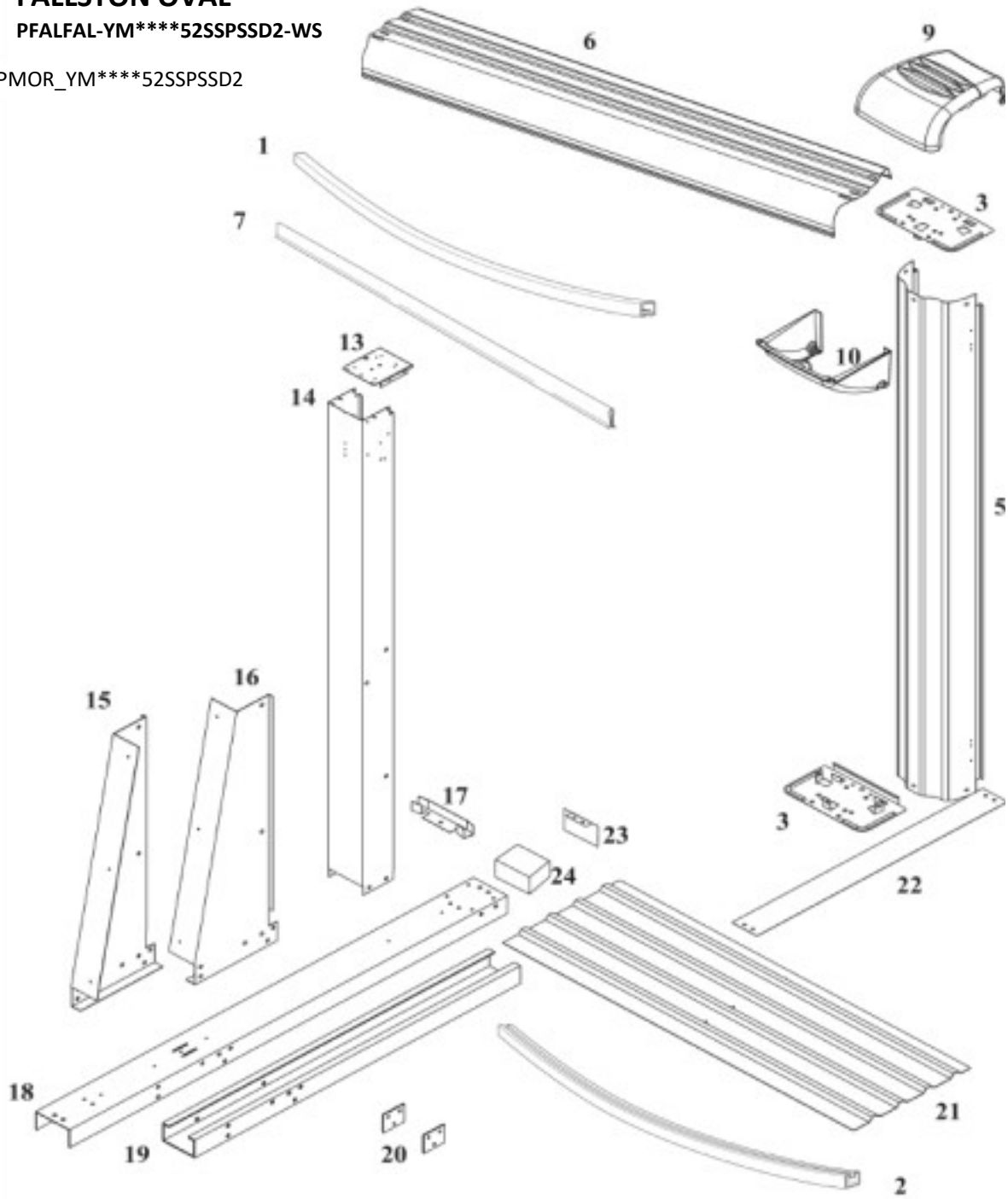
Index #	Description	Part #	Length	15'	18'	21'	24'	27'	
6	Top Rail Curved	27626	56-5/32"	10	12	14	16	18	
5	Upright	19611	51.8125"	10	12	14	16	18	
10	Top Cap Support	27392	8"	10	12	14	16	18	
9	Top Cap Large Half	27393	8"	10	12	14	16	18	
3	Top/Bottom Plate	19164	8"	20	24	28	32	36	
7	Plastic Coping	10296	48"	12	14	16	19	21	
1	Inner Stabilizer	38502	53-1/4"	11					
1	Inner Stabilizer	38503	54-1/8"		13				
1	Inner Stabilizer	38505	54-7/16"			15			
1	Inner Stabilizer	38506	52-1/4"				18		
1	Inner Stabilizer	38507	52-7/8"					20	
2	Bottom Rail	38737	54-1/8"	10					
2	Bottom Rail	38738	54-7/16"		12				
2	Bottom Rail	38739	54-5/16"			14			
2	Bottom Rail	38740	54-1/8"				16		
2	Bottom Rail	38741	54-1/4"					18	
*	Hardware Stainless Steel	44-10053		1					
*	Hardware Stainless Steel	44-10057				1			
*	Hardware Stainless Steel	44-10058					1	1	
*	Hardware Kit	44-10055			1				
*	Envelope Safety Stickers	95-0007		1	1	1	1	1	
*	Instructional DVD	99975		1	1	1	1	1	

*May not be pictured

FALLSTON OVAL

PFALFAL-YM****52SSPSSD2-WS

PMOR_YM****52SSPSSD2



Product Description:

Fallston Yardmore Oval

9/15/2021

Product Code

PFALFAL-YM****52SSPSSD2-WS

Index #	Description	Part #	Length	Qty Required for Installation (by Size)							
				1217	1218	1224	1524	1526	1530	1833	
6	Top Rail Curved	27622	40-9/32"	12	8	10					
6	Top Rail Curved	27624	51-11/32"				10	10	10		
6	Top Rail Curved	38361	52-3/32"							12	
6	Top Rail Transition	27644	47-5/16"				4				
6	Top Rail Straight Side	27627	41-13/32"	2	6	8	2	8	10	10	
5	Upright	19611	51.8125"	10	10	12	12	12	12	14	
14	Wrap Upright Oval	35738	52"	4	4	6	4	8	8	8	
10	Top Cap Support	21177	8"	4	4	6	6	6	8	8	
10	Top Cap Support Curved	27392	8"	10	10	12	12	12	12	14	
9	Top Cap Large Half	27393	8"	14	14	18	18	18	20	22	
13	Top Plate	10136	4"	4	4	6	4	6	8	8	
3	Top/Bottom Plate	19164	8"	20	20	24	24	24	24	28	
7	Plastic Coping	10296	48"	14	14	16	19	18	19	21	
1	Inner Stabilizer	38501	42-5/8"	12	8	10					
1	Inner Stabilizer	38502	53-1/4"				10	10	10		
1	Inner Stabilizer	38503	54-1/8"							12	
1	Rim	38511	37"			4		4	4	4	
1	Rim	38512	33"	2	2	4	2	4	6	6	
1	Rim	38513	8"	4	4	6	4	6	8	8	
1	Rim	38514	43"		4		4				
2	Bottom Rail	14949	50"							12	
2	Bottom Rail	14950	49"				10	10	10		
2	Bottom Rail	38736	38"	12	8	10					
2	Bottom Rail	16713	37-1/2"	2	2	4	2	4	6	6	
2	Bottom Rail Corner	16714	39"			4		4	4	4	
2	Bottom Rail Corner	22901	45"		4		4				
17	Connector Bottom Rail Straight Side	16542	1"	4	4	6	4	6	8	8	
21	Pressure Plate	16549	44"	4	4	6	4	6	8	8	
18	Upper Oval Channel	16539	52-3/8"	4	4	6	4	6	8	8	
23	Oval Channel End Cap	22726		4	4	6	4	6	8	8	
24	Oval Channel Foam Block	29917	2x4x4-1/8"	4	4	6	4	6	8	8	
19	Under Channel Yardmore	15933	45-9/16"	4	4	6	4	6	8	8	
15	Yardmore Gusset Left	35740		4	4	6	4	6	8	8	
16	Yardmore Gusset Right	35741		4	4	6	4	6	8	8	
22	Strap Section	16724	41-11/16"	4	4	6					
22	Strap Section	16725	40-11/16"				6	9	12		
22	Strap Section	16726	52-11/16"							12	
20	Hardware Stainless Steel Base Pack YM	22-16722	[2 upr]			1		1			
20	Hardware Stainless Steel Base Pack YM	22-16720	[4 upr]	1	1	1	1	1	2	2	
*	Hardware Stainless Steel	44-10093		1	1						
*	Hardware Stainless Steel	44-10097						1			
*	Hardware Stainless Steel	44-10095				1	1				
*	Hardware Stainless Steel	44-10099								1	
*	Hardware Kit	44-10098							1		
*	Envelope Safety Stickers	95-0007		1	1	1	1	1	1	1	
*	Instructional DVD	99975		1	1	1	1	1	1	1	

*May not be pictured