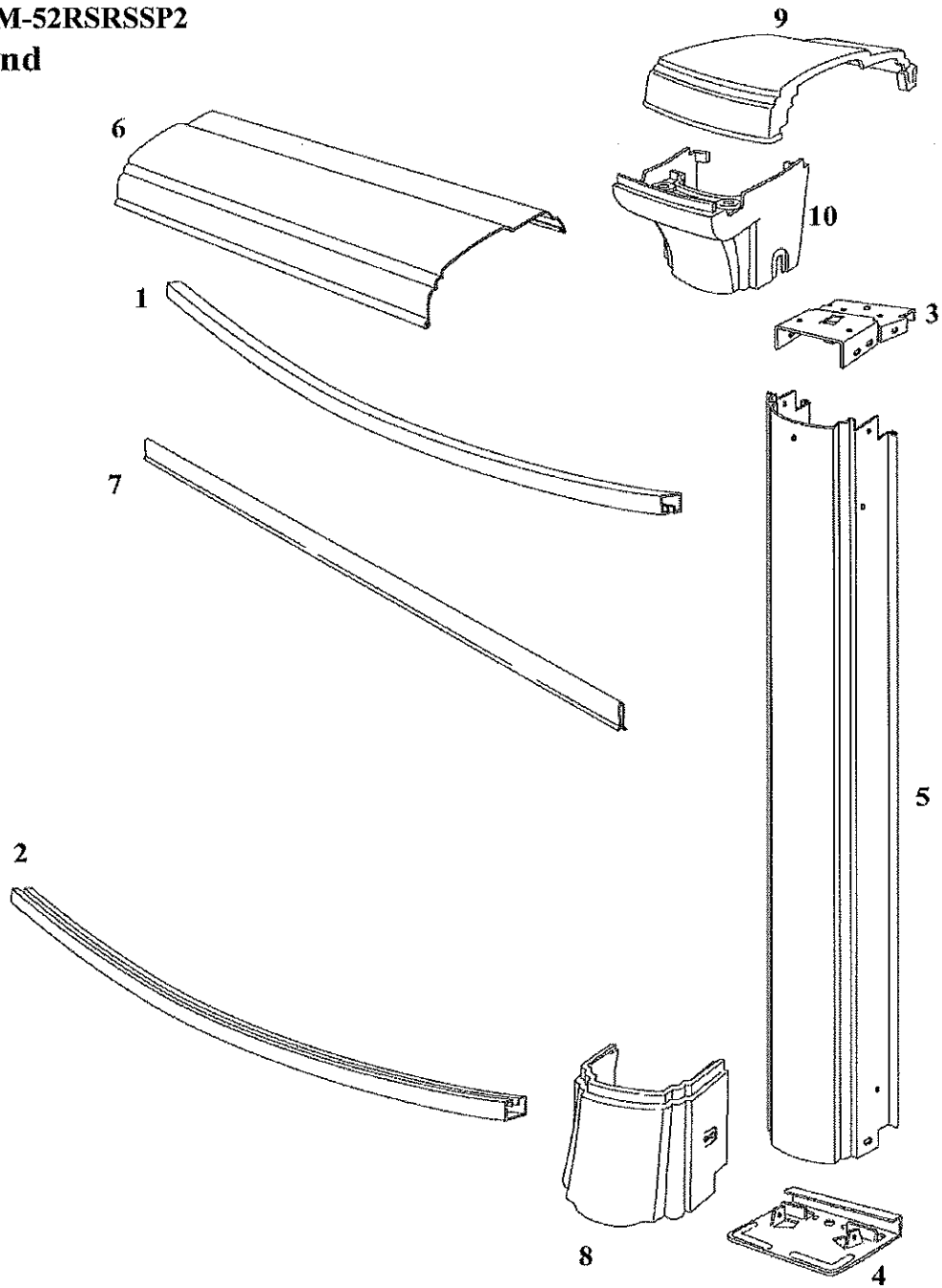


**Summerfield**  
**PSUM-52RSRSP2**  
**Round**



Product Description:

Summerfield Round

9/29/2017

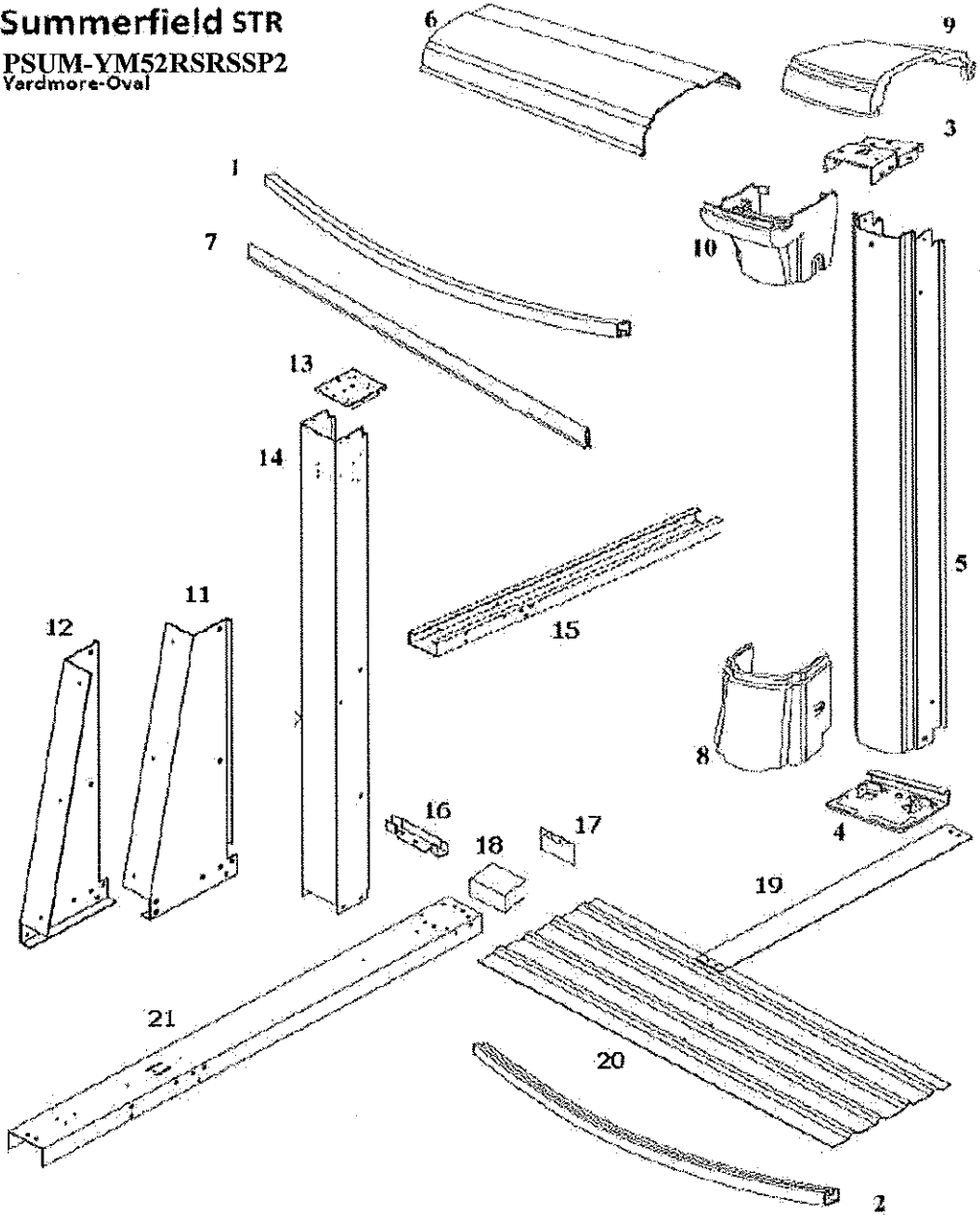
Product Code:

PSUM-52RSRSP2

				Quantity Required for Installation (by Pool Size)						
Index #	Description	Part #	Length	08'	15'	18'	21'	24'	27'	30'
6	Top Rail Curved	35394	27-1/4"	11						
6	Top Rail Curved	35000	55-13/16"		10	12	14	16	18	20
5	Upright	29290	52.2185	11	10	12	14	16	18	20
9	Top Cap Large Half	19309		11	10	12	14	16	18	20
10	Top Cap Support	19310		11	10	12	14	16	18	20
8	Bottom Boot	19312		11	10	12	14	16	18	20
3	Top Plate	15614		11	10	12	14	16	18	20
4	Bottom Plate	15444		11	10	12	14	16	18	20
7	Plastic Coping	10296	48"	7	12	14	16	19	21	23
1	Inner Stabilizer	38500	29-1/2"	11						
1	Inner Stabilizer	38502	53-1/4"		11					
1	Inner Stabilizer	38503	54-1/8"			13				
1	Inner Stabilizer	38505	54-7/16"				15			
1	Inner Stabilizer	38506	52-1/4"					18		
1	Inner Stabilizer	38507	52-7/8"						20	
1	Inner Stabilizer	38509	51-1/4"							23
2	Bottom Rail	18837	25-1/4"	11						
2	Bottom Rail	12312	54-1/4"		10					
2	Bottom Rail	12321	54-1/4"			12				
2	Bottom Rail	12322	54-1/4"				14			
2	Bottom Rail	12323	54-1/4"					16		
2	Bottom Rail	12324	54-1/4"						18	
2	Bottom Rail	12325	54-1/4"							20
*	Hardware Stainless Steel	44-10223		1						
*	Hardware Stainless Steel	44-10052			1					
*	Hardware Stainless Steel	44-10055				1				
*	Hardware Stainless Steel	44-10056					1			
*	Hardware Stainless Steel	44-10057						1		
*	Hardware Stainless Steel	44-10058							1	
*	Hardware Stainless Steel	44-10059								1
*	Hardware Stainless Steel	22-10090			1					
*	Hardware Stainless Steel	22-10074				1				
*	Hardware Stainless Steel	22-10091					1			
*	Hardware Stainless Steel	22-10075						1		
*	Hardware Stainless Steel	22-10096							1	
*	Hardware Stainless Steel	22-10097								1
*	Envelope Safety Stickers	95-0007		1	1	1	1	1	1	1
*	Instructional DVD	36878		1	1	1	1	1	1	1

\*May not be pictured

**Summerfield STR**  
**PSUM-YM52RSRSP2**  
Yardmore-Oval



Product Description:

Summerfield Yardmore Oval

9/29/2017

Product Code:

PSUM-YM52RSRSP2

Index #	Description	Quantity Required for Installation (by Pool Size)						
		Part #	Length	1217	1224	1526	1530	1833
6	Top Rail Curved	34999	40-1/8"	12	10			
6	Top Rail Curved	35085	51-3/16"			10	10	
6	Top Rail Curved	35144	51-15/16"					12
6	Top Rail Straight Side	35084	41-1/4"	2	8	8	10	10
14	Wrap Upright	35637		4	6	6	8	8
5	Upright	29290		10	12	12	12	14
9	Top Cap	19309		14	18	18	20	22
10	Top Cap Straight Support	19311		4	6	6	8	8
10	Top Cap Curved Support	19310		10	12	12	12	14
8	Bottom Boot	19312		10	12	12	12	14
3	Top Plate	15614	5.5"	10	12	12	12	14
3	Top Plate Oval	10136	4"	4	6	6	8	8
4	Bottom Plate	15444	5"	10	12	12	12	14
7	Plastic Coping	10296	48"	16	16	19	19	21
1	Inner Stabilizer	38501	42-5/8"	12	10			
1	Inner Stabilizer	38502	53-1/4"			10	10	
1	Inner Stabilizer	38503	54-1/8"					12
1	Rim	38513	8"	4	6	6	8	8
1	Rim	38512	33"	2	4	4	6	6
1	Rim	38511	37"		4	4	4	4
2	Bottom Rail	38991	38"	12	10			
2	Bottom Rail	12311	49"			10	10	
2	Bottom Rail	12331	50"					12
2	Bottom Rail Straight Side	12327	37-1/2"	2	4	4	6	6
2	Bottom Rail Corner	12328	39"		4	4	4	4
16	Connector Bottom Rail Straight Side	16542		4	6	6	8	8
20	Pressure Plate	16549		4	6	6	8	8
17	Oval Channel End Cap	22726		4	6	6	8	8
18	Oval Channel Foam Block	29917		4	6	6	8	8
21	Strap Oval Channel	16539	52-3/8"	4	6	6	8	8
15	Under Channel YM	15933	45-9/16"	4	6	6	8	8
12	Yardmore Gusset Left	16654		4	6	6	8	8
11	Yardmore Gusset Right	16653		4	6	6	8	8
19	Strap Section	16724	41-11/16"	4	6			
19	Strap Section	16725	40-11/16"			9	12	
19	Strap Section	16726	52-11/16"					12
*	Hardware Yardmore (4 Uprights)	22-16720		1	1	1	2	2
*	Hardware Yardmore (2 Uprights)	22-16722			1	1		
*	Hardware	44-10102		1				
*	Hardware	44-10094			1	1		
*	Hardware	44-10098					1	
*	Hardware	44-10105						1
*	Hardware	22-10073			1	1		
*	Hardware	22-10074						1
*	Hardware	22-10090			1	1	2	1
*	Envelope Safety Stickers	95-0007		1	1	1	1	1
*	Instructional DVD	36878		1	1	1	1	1

\*May not be pictured