

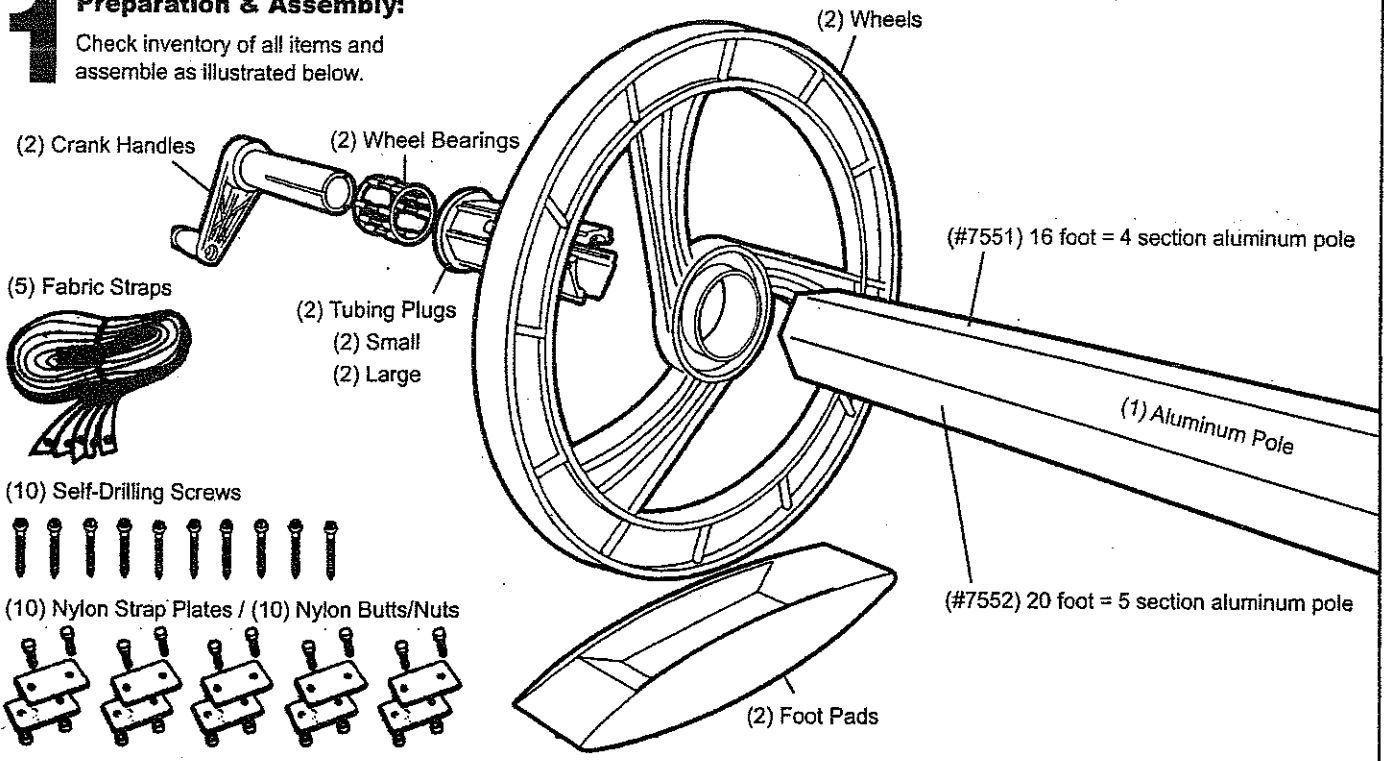
751670

Please use your solar blanket and reel assembly in the manner it was intended for:

- Your Solar Blanket is not a safety cover
- Remove the solar blanket and solar reel assembly from the pool completely before swimming use.
- Do not store the solar blanket on the ground in direct sunlight, as it will burn the lawn.

1 Preparation & Assembly:

Check inventory of all items and assemble as illustrated below.

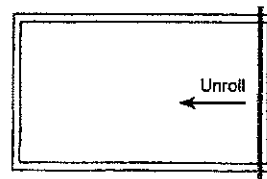


2 Pole Set Information:

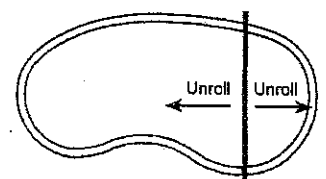
- | | |
|--|--|
| <ul style="list-style-type: none"> • Fits up to 16' W pool <p>Contains:</p> <ul style="list-style-type: none"> • (2) 59-1/2" x 2.920" diameter extruded aluminum shaft • (2) 59-1/2" x 2.745" diameter extruded aluminum shaft • (18) SS Screws • Begin Tube Assembly with SMALL Tubing Plug • END Tube Assembly with LARGE Tubing Plug | <ul style="list-style-type: none"> • Fits up to 20' W pool <p>Contains:</p> <ul style="list-style-type: none"> • (2) 59-1/2" x 2.920" diameter extruded aluminum shaft • (2) 59-1/2" x 2.745" diameter extruded aluminum shaft • (24) SS Screws • Begin Tube Assembly with SMALL Tubing Plug • END Tube Assembly with SMALL Tubing Plug |
|--|--|

3 Positioning Your Solar Blanket:

For rectangular pools: place wheels at either end of pool
 For irregular shaped pools: place wheels at same convenient midway point. You will need to fold solar blanket and allow solar blanket to unwind in two directions. (See illustration below.)



Rectangular Shaped Pool



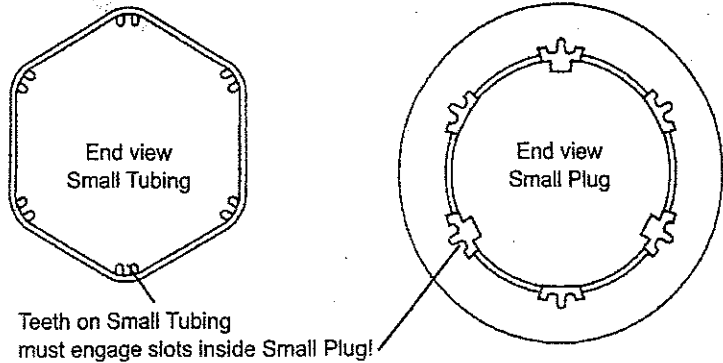
Irregular Shaped Pool

4 Trimming Your Solar Blanket:

Lay your solar blanket (not provided) on top of water. **IMPORTANT!** Irregular shaped pools will need to have their solar blankets folded at point of placement of wheels. The cover will unroll left and right of wheels and cross pole. Please allow six inches more material on length to allow for a fold where straps will be attached for wind onto reel system. (See illustrations above.) Trim blanket with scissors to fit shape of pool. Be sure to clear pool edge coping.

5 Assembling your Cross Poles:

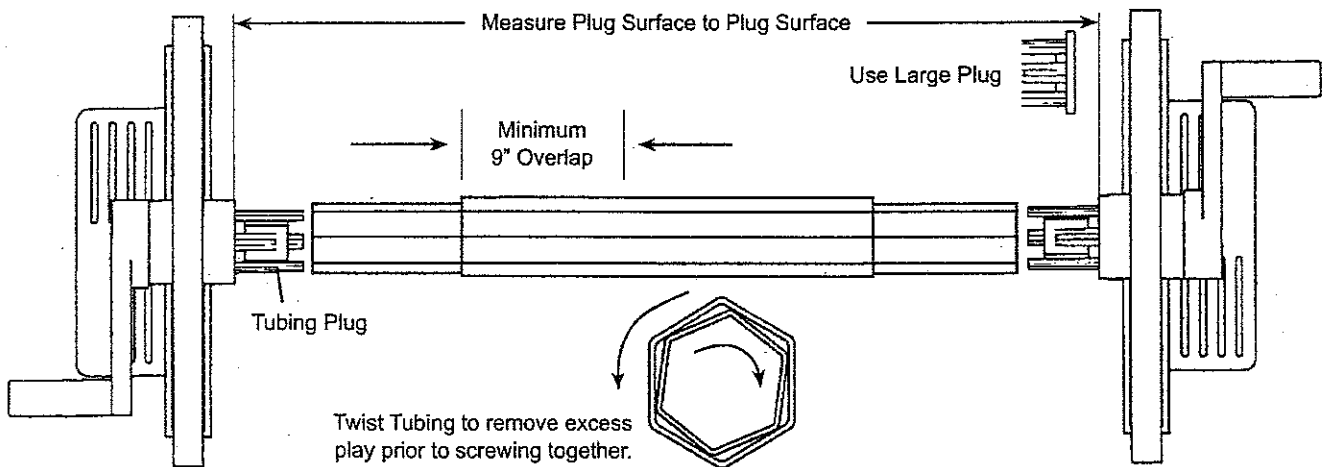
All Tube Sets consist of 6-sided hexagon shaped aluminum tubing. There are two diameters of tubing, 2.745" and 2.920", the smaller size nesting into the larger size. The 16' Tube Kit Begins with a Small Tube Plug and Ends with a Large Tube therefore requiring a Small Tube Plug at one end and a Large Tube Plug at the other end. The 20' Tube Kits Begin and End with Small Tubes, therefore requiring Small Tube Plugs at either end. The Large Tube Plug is self-aligning. The Small Tube Plug requires CAREFUL ALIGNMENT! (See illustration at right for proper plug insertion.)



6 Drilling Holes Instructions:

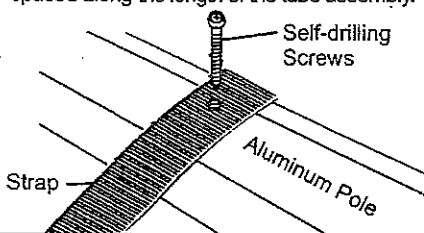
You will need to drill holes, spaced approximately 1-1/2" and 7-1/2" inches from the each end, to join the large tubing to the small tubing. Space holes 120° apart around the circumference of the pole. At the appropriate time you will secure with self-drilling and tapping SS screws. Also take note of large holes that pierce both end tubes. You will eventually use these holes to anchor tubing to crank handles with bolts provided.

- 1 Loosely assemble extruded tubes together. Slide excess width into adjoining tubes, dividing it up as equally as possible.
Note: You must have a minimum of 9" of overlap in each tube!
- 2 Measure the width across the pool from plug surface to plug surface.
- 3 Adjust the total length of the tube assembly to fit the span.
- 4 Lock the tubes together by rotating each adjoining tube in the opposite direction. (See illustration below.)
- 5 Secure each tube with just 1 self drilling screw in each adjoining tube.
- 6 Attach the tube assembly into the Crank and Tubing Plugs and check for fit.
- 7 When all is OK drill and screw the remaining screws at each end of the overlapped poles. You should have 6 screw on each tube end where there is a connection.
- 8 Assemble Tube assembly together with Crank Handles and Tube Plugs by lining up hole in the end of each tube fitted into Crank Handle and secure with plastic bolt and nut provided.



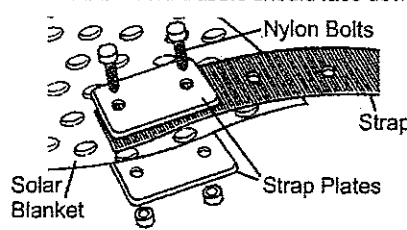
7 Attach Straps to Tubes:

Come in 6 inches from each tube and attach a strap to the aluminum tube assembly. Use the self-drilling screws on the drill line to attach the strap. Take the remaining straps and connect them evenly spaced along the length of the tube assembly.



8 Attach Solar Blanket to Straps:

Attach solar blanket to strap plate with nylon bolt. If wheel is to be placed in offset position, then attach solar blanket to strap plates forming a fold and the nylon bolts will go through two layers of the solar blanket. Bubble should face down.



9 Finished:

This is what your Deluxe In-ground Reel System and Solar Blanket should look like when you have completed steps 1-8.

