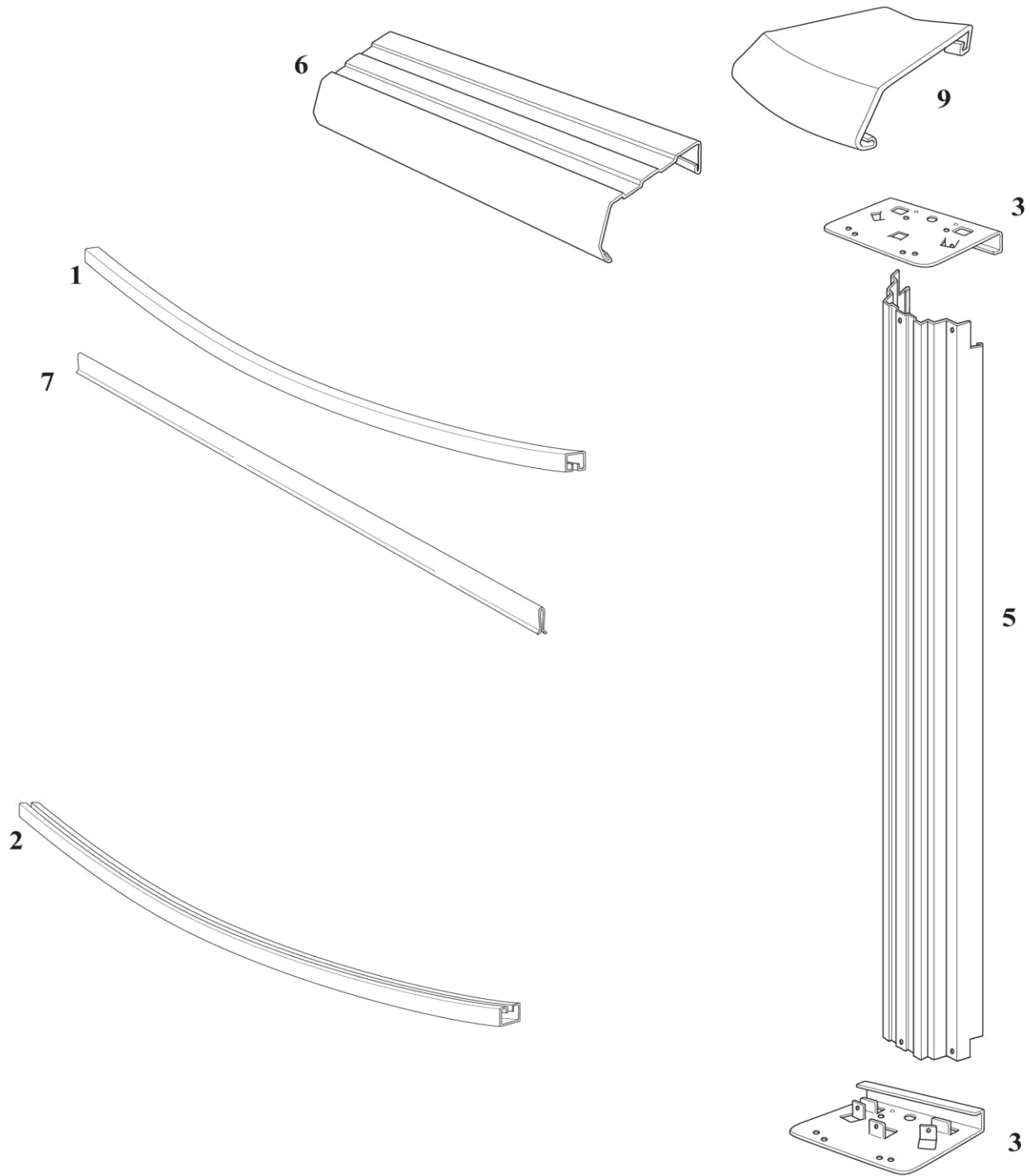


**MEADOWS REPRIEVE ROUND
PREPMEA-**52SSPSSN1-WS**



Product Description:

Meadows Reprieve Round

9/27/2021

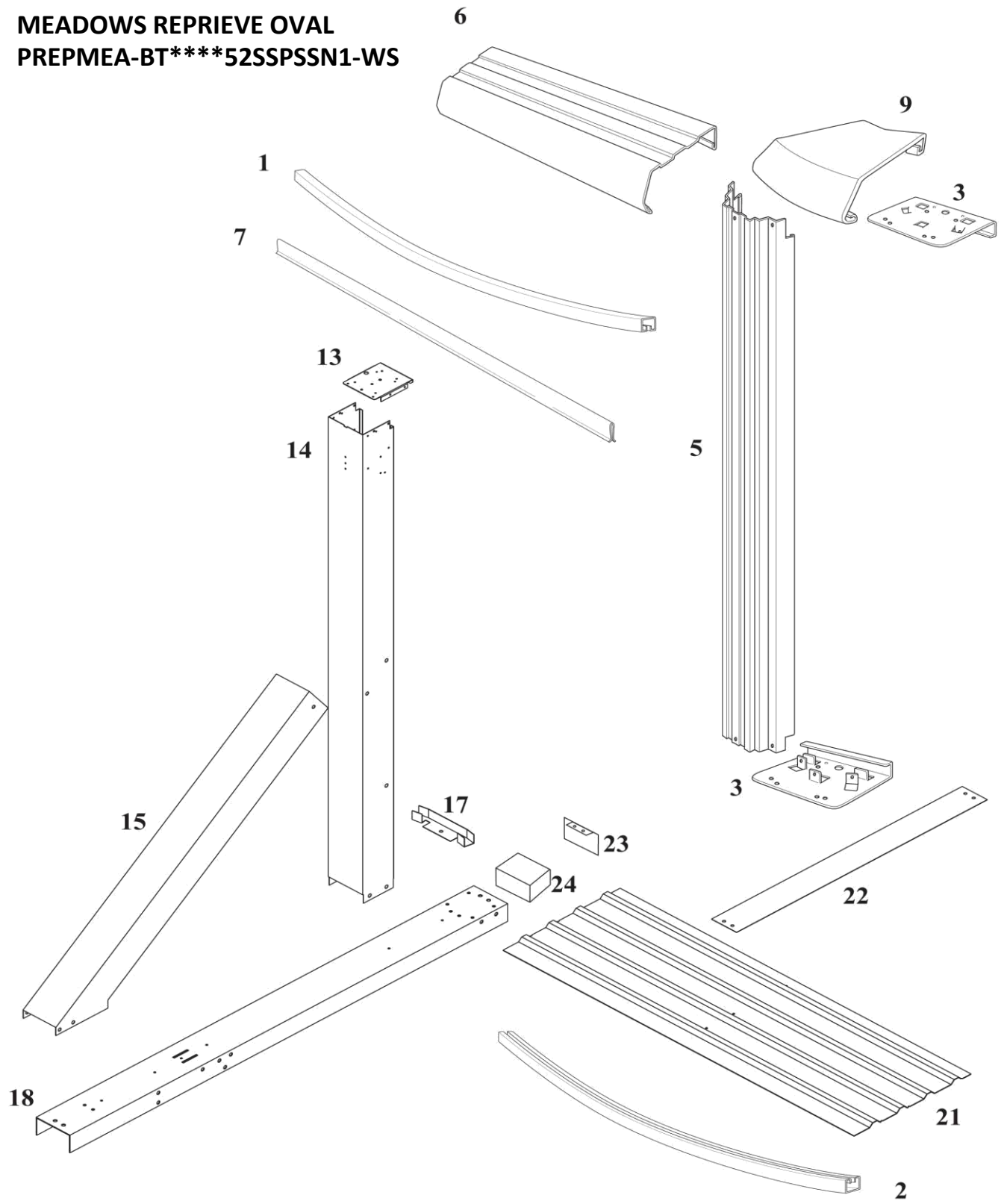
Product Code

PREPMEA-52SSPSSN1-WS**

				Quantity Required for Installation (by Pool Size)							
Index #	Description	Part #	Length	12'	15'	18'	21'	24'	27'	30'	
6	Top Rail Curved	21424	40-1/8"	11							
6	Top Rail Curved	21428	55-13/16"		10	12	14	16	18	20	
5	Upright Curved	21430	51-13/16"	11	10	12	14	16	18	20	
9	Top Cap	21431	6"	11	10	12	14	16	18	20	
3	Top / Bottom Plate	11595	4-1/2"	22	20	24	28	32	36	40	
7	Plastic Coping	10296	48"	9	12	14	16	19	21	24	
1	Inner Stabilizer	38501	42-5/8"	11							
1	Inner Stabilizer	38502	53-1/4"		11						
1	Inner Stabilizer	38503	54-1/8"			13					
1	Inner Stabilizer	38505	54-7/16"				15				
1	Inner Stabilizer	38506	52-1/4"					18			
1	Inner Stabilizer	38507	52-7/8"						20		
1	Inner Stabilizer	38508	52-1/8"								
1	Inner Stabilizer	38509	51-1/4"							23	
2	Bottom Rail	38736	38"	11							
2	Bottom Rail	38737	54-1/8"		10						
2	Bottom Rail	38738	54-7/16"			12					
2	Bottom Rail	38739	54-5/16"				14				
2	Bottom Rail	38740	54-1/8"					16			
2	Bottom Rail	38741	54-1/4"						18		
2	Bottom Rail	38742	54-1/4"							20	
*	Hardware	44-10004		1	1						
*	Hardware	44-10006				1					
*	Hardware	44-10008					1				
*	Hardware	44-10010						1			
*	Hardware	44-10011							1		
*	Hardware	44-10013								1	
*	Envelope Safety Stickers	95-0007		1	1	1	1	1	1	1	
*	Instructional DVD	36879		1	1	1	1	1	1	1	

*May not be pictured

**MEADOWS REPRIEVE OVAL
PREPMEA-BT****52SSPSSN1-WS**



Product Description:

Meadows Reprieve Buttress Oval

9/27/2021

Product Code:

PREPMEA-BT**52SSPSSN1-WS**

		Quantity Required for Installation (by Pool Size)									
Index #	Description	Part #	Length	1217	1218	1224	1524	1526	1530	1833	
6	Top Rail Curved	21424	40-1/8"	12	8	10					
6	Top Rail Curved	21425	51-3/16"				10	10	10		
6	Top Rail Curved	21426	51-15/16"							12	
6	Top Rail Curved	35372	47-1/4"		4		4				
6	Top Rail Straight Side	21427	41-1/4"	2	2	8	2	8	10	10	
5	Upright Curved	21430	51-13/16"	10	10	12	12	12	12	14	
14	W-A Upright Oval Straight Side	35738	52"	4	4	6	4	6	8	8	
9	Top Cap Curved	21431	6"	14	14	18	16	18	20	22	
13	Top Plate Oval	10136	4"	4	4	6	4	6	8	8	
3	Top / Bottom Plate	11595	4-1/2"	20	20	24	24	24	24	28	
7	Plastic Coping	10296	48"	14	14	16	19	19	19	21	
1	Inner Stabilizer	38501	42-5/8"	12	8	10					
1	Inner Stabilizer	38502	53-1/4"				10	10	10		
1	Inner Stabilizer	38503	54-1/8"							12	
1	Inner Stabilizer	38514	43"		4		4				
1	Straight Middle Stabilizer	38512	33"	2	2	4	2	4	6	6	
1	Straight Center Stabilizer	38513	8"	4	4	6	4	6	8	8	
1	Straight Corner Stabilizer	38511	37"			4		4	4	4	
2	Bottom Rail	38736	38"	12	8	10					
2	Bottom Rail	14950	49"				10	10	10		
2	Bottom Rail	14949	50"							12	
2	Bottom Rail Straight Side	16713	37.5"	2	2	4	2	4	6	6	
2	Bottom Rail Corner	22901	45"		4		4				
2	Bottom Rail Corner	16714	39"			4		4	4	4	
17	Connector Bottom Rail Straight Side	16542	1"	4	4	6	4	6	8	8	
21	Pressure Plate	16549	44"	4	4	6	4	6	8	8	
18	Upper Oval Channel	16539	52-3/8"	4	4	6	4	6	8	8	
23	Oval Channel End Cap	22726		4	4	6	4	6	8	8	
24	Oval Channel Foam Block	29917	2x4x4-1/8"	4	4	6	4	6	8	8	
15	Wrap Strut	17916		4	4	6	4	6	8	8	
22	Strap Section	16723	39-3/32"	2	2	3	2	3	4	4	
22	Strap Section	16724	41-1/16"	4	4	6	4				
22	Strap Section	16725	40-11/16"				6	9	12		
22	Strap Section	16726	52-11/16"							12	
*	Hardware Strut 4- pack	22-36501		1	1	1	1	1	2	2	
*	Hardware Strut 2-pack	22-36502				1		1			
*	Hardware	44-10033		1	1						
*	Hardware	44-10037				1		1			
*	Hardware	44-10038					1				
*	Hardware	44-10039							1		
*	Hardware	44-10040								1	
*	Envelope Safety Stickers	95-0007		1	1	1	1	1	1	1	
*	Instructional DVD	36879		1	1	1	1	1	1	1	

*May not be pictured