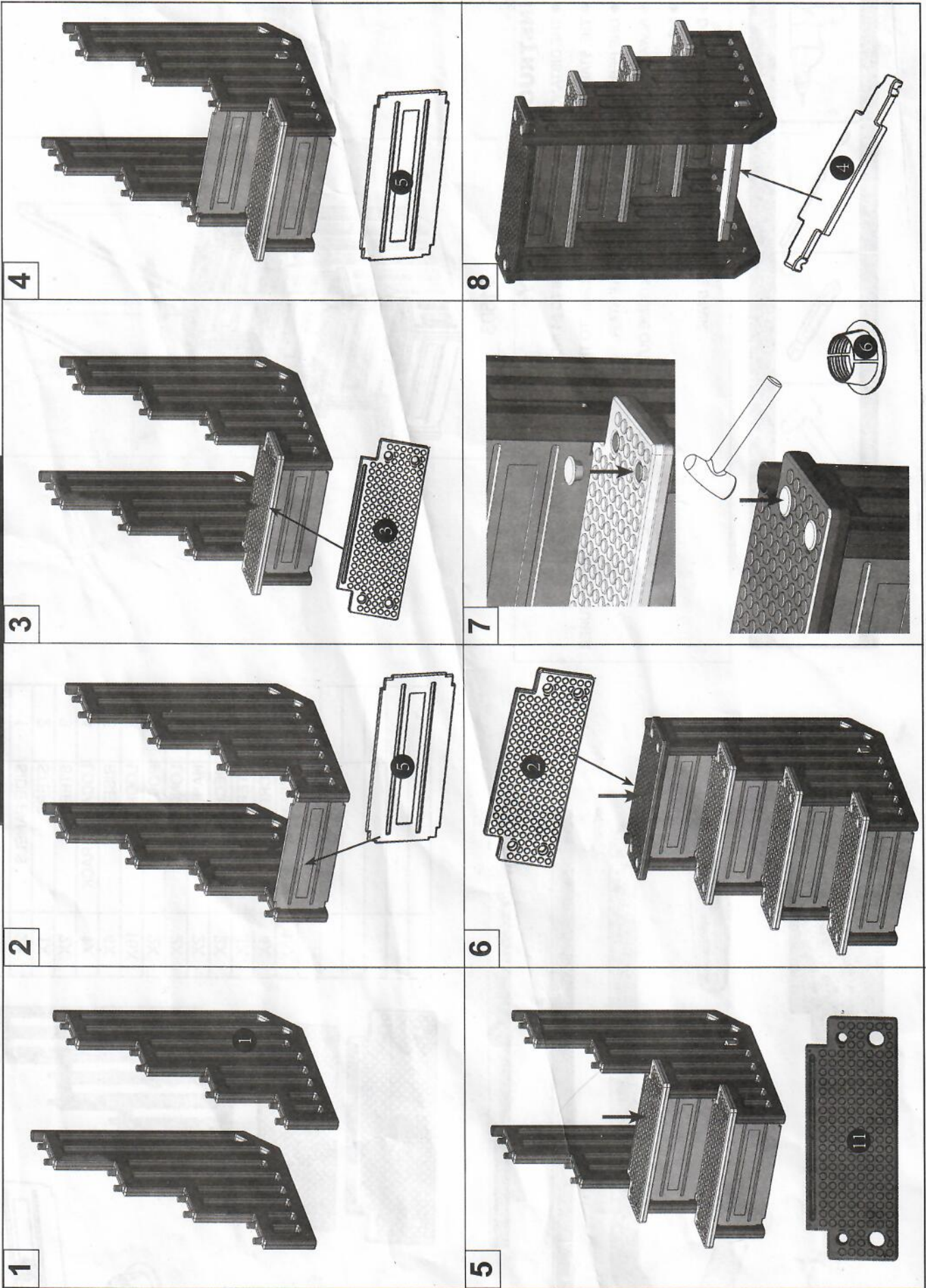


ASSEMBLY



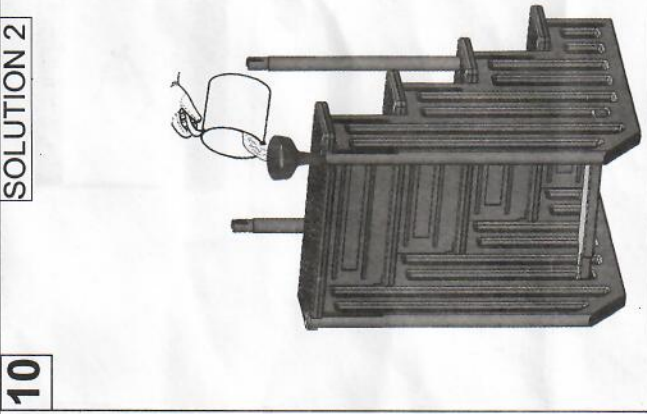
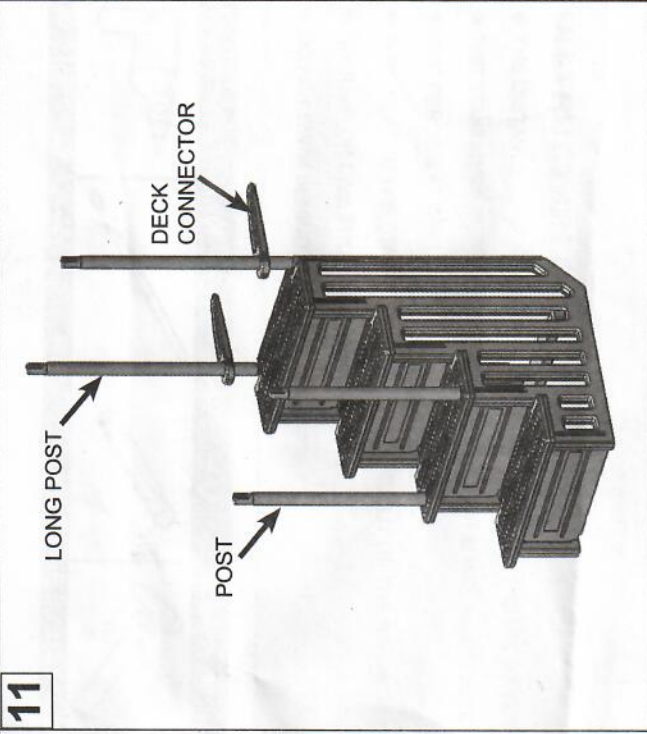
9

SOLUTION 1

10

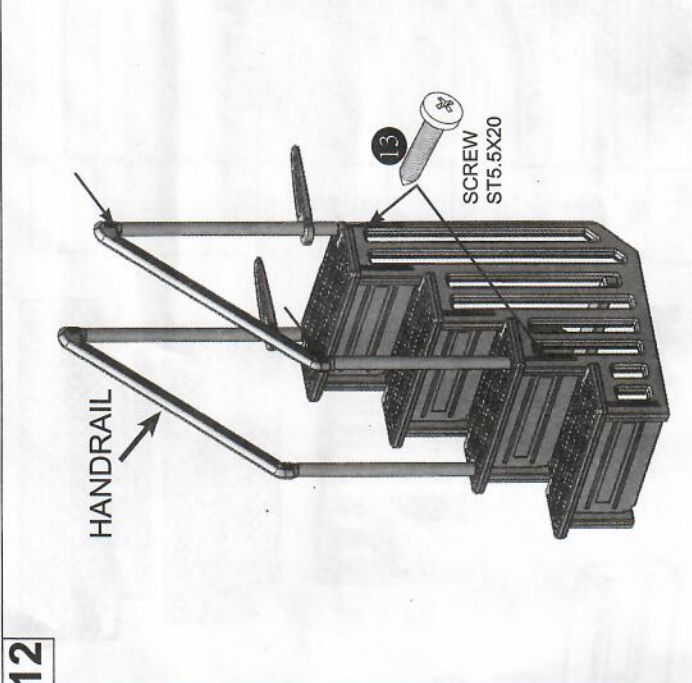
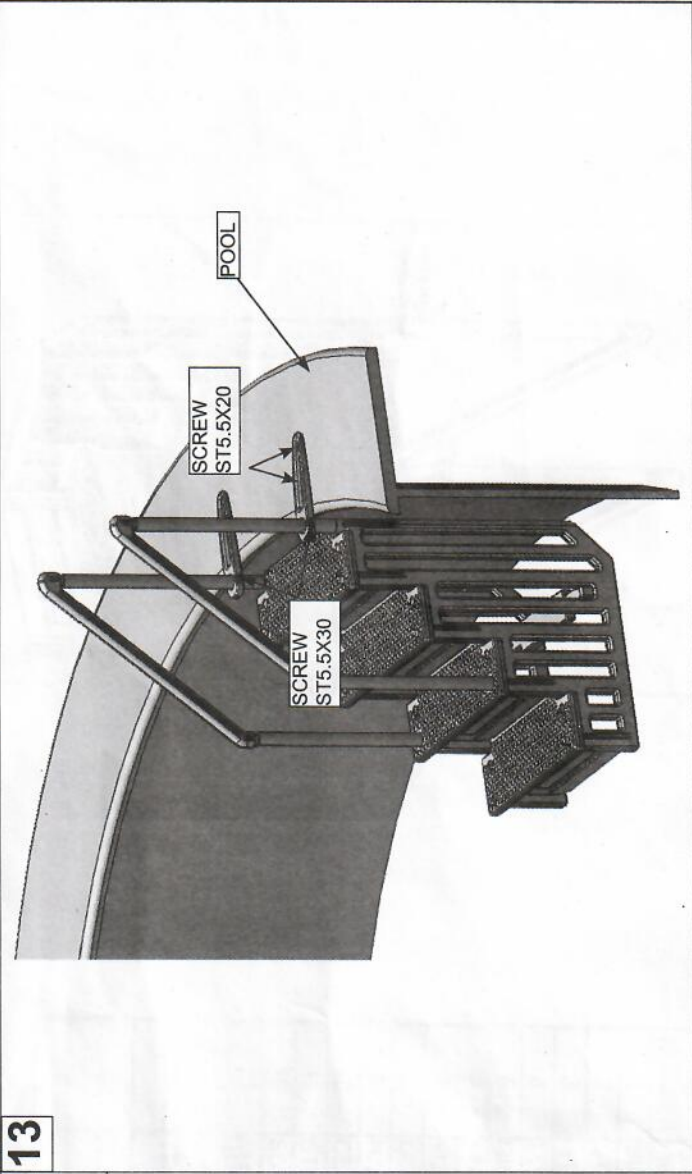
SOLUTION 2

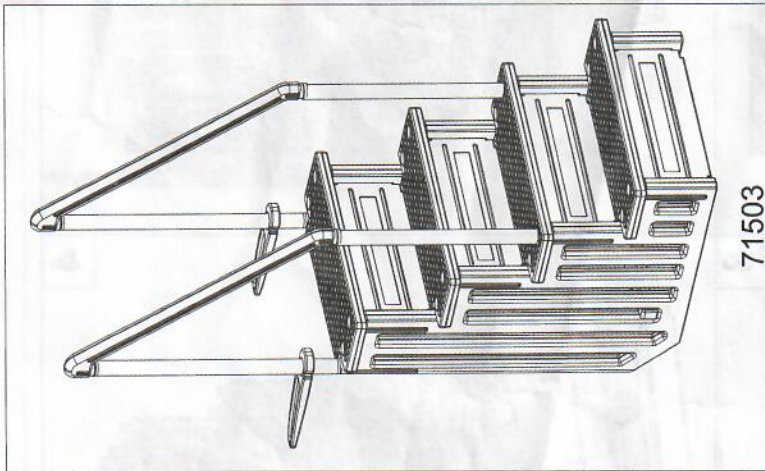
11



12

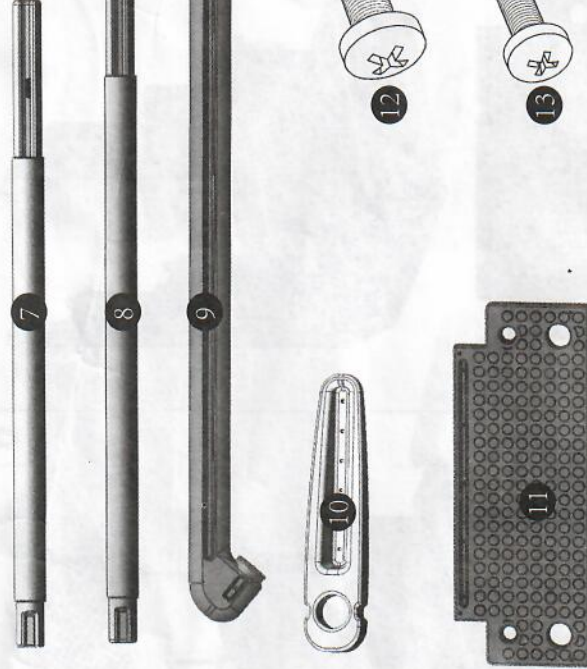
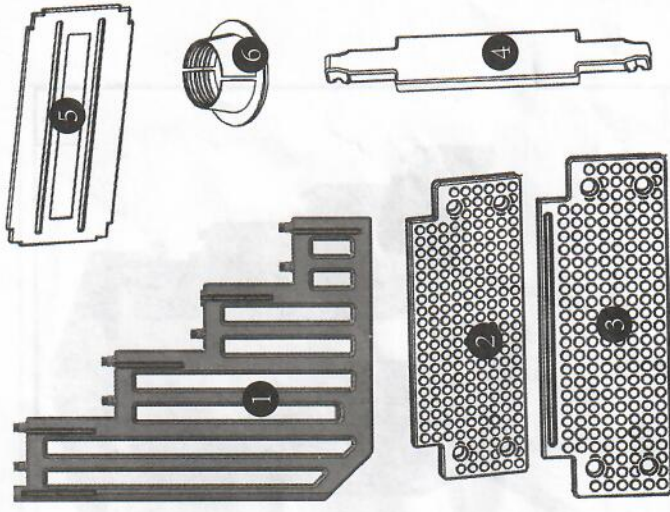
13





71503

PART NUMBER	DESCRIPTION	71503
1	SIDE PANELS	2X
2	STEPS	1X
3	STEPS	2X
4	LOCATING RACK	1X
5	RISERS	4X
6	LOCK CAPS	16X
7	POST	2X
8	LONG POST	2X
9	HANDRAIL	2X
10	DECK CONNECTOR	2X
11	STEPS	1X
12	SCREW ST5.5X30	4X
13	SCREW ST5.5X20	16X



**INSTRUCTION OF SAFETY:**

- ◆ THE DISTANCE IS ADJUSTABLE FROM 48 TO 54 INCHES (122CM TO 137CM)
- ◆ THE STAIR MUST BE INSTALLED ACCORDING TO THE INSTRUCTIONS OF THE MANUFACTURER.
- ◆ ONE PERSON AT THE SAME TIME ON THE STAIR.
- ◆ ALWAYS FACE THE STAIR TO ENTER OR COME OUT OF THE SWIMMING POOL.
- ◆ NO JUMP OR DIVE FROM THE STAIR.
- ◆ DO NOT SWIM BEHIND OR AROUND THE STAIR.

Required for the installation

	Drill		Star bit		Mallet		Sandbags
--	-------	--	----------	--	--------	--	----------