

AUTO-REGENERATION D.E. FILTER

OPERATING INSTRUCTIONS

1. Place filter on flat surface.
2. Tighten locking ring by turning clockwise.
3. Open all slide valves to ensure that water can flow freely from pool to filter. Make sure drain plug is tight. (Caution: Failure to do so could result in severe personal injury and/or property damage)
4. Turn pump on.
5. Loosen air relief valve by turning counter-clockwise.
6. When a steady stream of water is discharged from the valve, tighten air relief valve by rotating valve clockwise.
7. Add the recommended amount of DE to filter by mixing in a bucket of water until a consistency is reached similar to a pancake batter. Add by pouring through skimmer with pump running.

***Failure to run filter without DE will damage filter element.**

FILTER MAINTENANCE

Clean filter element when pressure gauge increases 5-7 PSI above the original starting pressure or if the return flow diminishes.

1. Turn pump off.
2. Close all slide valves to prevent backflow from pool.
3. Open air relief valve by turning valve counter-clockwise until loose.
4. Remove drain plug, allow water to drain from filter.
5. Open locking ring counter-clockwise and remove the filter element.
6. Clean the filter element with a Blue Seal Spray Away cleaning tool, remove debris from filter tank bottom.
7. Replace filter element in tank.
8. Follow all operating instructions above.

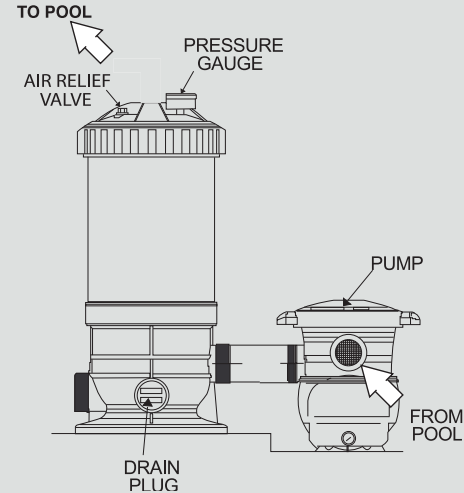
Note: Be sure to replace **DE each time element is cleaned.**
Failure to do so will damage filter element.

WINTERIZING

1. Remove drain plug and drain tank completely.
2. Clean filter element and allow it to dry thoroughly.
3. Replace element in tank.
4. Store in a cool, dry place.

MODEL NO.

- 73120
- 73121
- 73122
- 73123
- 73123004
- 73123005



FILTER SPECIFICATION

Model No.	73120	73121	73122	73123	73123004	73123005
DE REQUIRED	1 Lb.	1-1/2 Lbs.	2 Lbs.	2-1/2 Lbs.	3 Lbs.	3-1/2 Lbs.