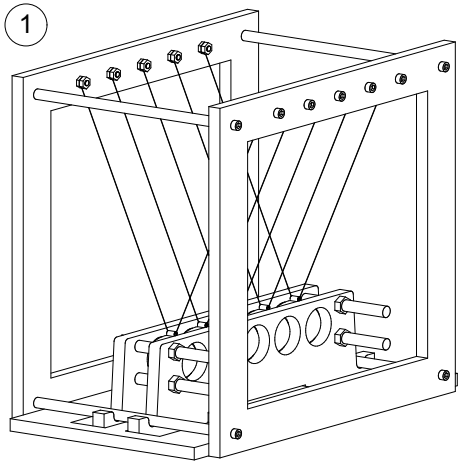
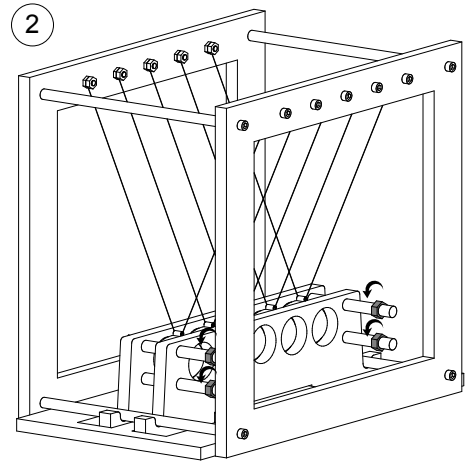


NEWTON'S CRADLE PRO

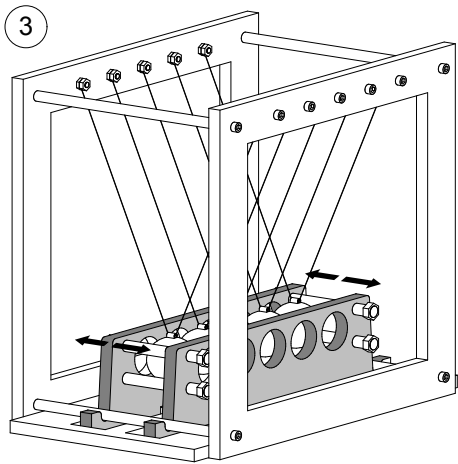
design by
Tooby



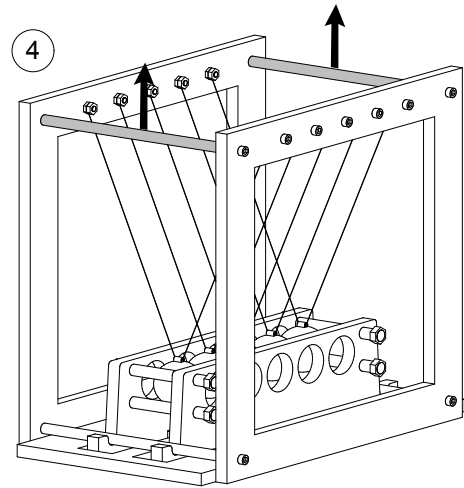
Lay the cradle on a flat surface



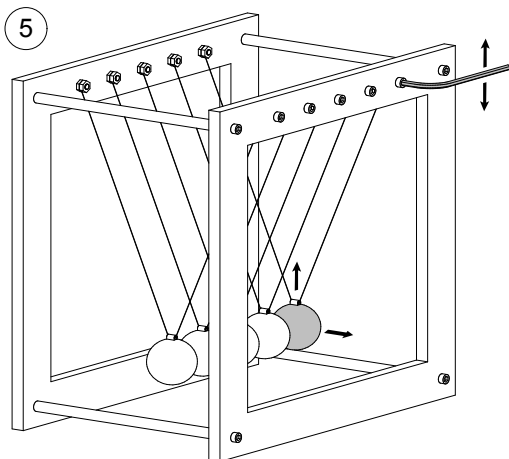
Unscrew the four bolts of the calibrator



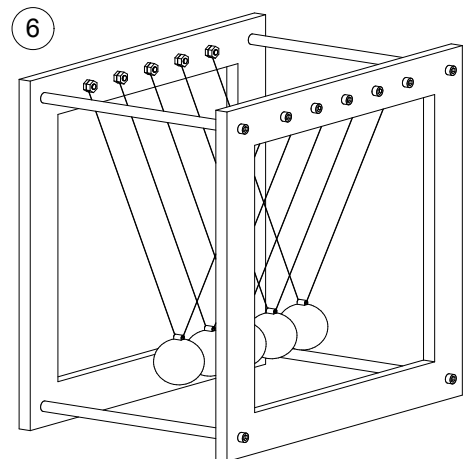
Open the clamps of the calibrator



Lifts the cradle using the metal spacers



Use the Allen wrench to correct micro-misalignments



Your Newton's Cradle is ready!