



**LAKE EFFECT<sup>®</sup>**  
SWIMMING POOLS



# **METROPOLITAN<sup>™</sup>**

## **OVAL SWIMMING POOL**

### **INSTRUCTIONAL MANUAL**

**IMPORTANT: READ ALL STEPS OF THIS MANUAL BEFORE INSTALLATION. RETAIN THIS MANUAL FOR LATER REFERENCE.**

# WARNING

TO LESSEN YOUR RISK OF SERIOUS INJURY OR DEATH, FOLLOW THESE RULES:



## IMPORTANT SAFETY INSTRUCTIONS

The following instructions contain important safety information. All safety instructions in this manual and owner's packed must be read and abide by them when installing and using this pool. When installing and using the electrical equipment, basic safety precautions must always be followed!

## WARNING!

**CHILDREN HAVE DROWNED IN SWIMMING POOLS. ENSURE ACTIVE ADULT SUPERVISION AT ALL TIMES. DO NOT LEAVE CHILDREN UNSUPERVISED IN OR AROUND THE POOL- KEEP THEM WITHIN ARM'S REACH. POOL FENCING LAWS APPLY TO THIS POOL, AS WELL AS OTHER SAFETY PRECAUTIONS. IE: ALARM SYSTEMS, SPECIAL LADDERS AND SAFETY GUARDS. CONSULT YOUR LOCAL BUILDING CODES FOR REQUIREMENTS. DO NOT JUMP OR DIVE DECALS AND SIGNS MUST BE INSTALLED ON THE POOL.**

## READ AND FOLLOW ALL INSTRUCTIONS

**NOTE** Please examine equipment before use. If there are any damaged or missing parts at the time of purchase, do not assemble or operate until parts are replaced.

**WARNING** Consult your local municipality, water authority and local building codes in regards to the use of water and/or water restrictions relating to this product.

**WARNING** Pool fencing laws affect this product. Consult your local municipality for applicable building code. Abide by state and federal law requirements such as fencing, enclosures, childproof gates, etc.

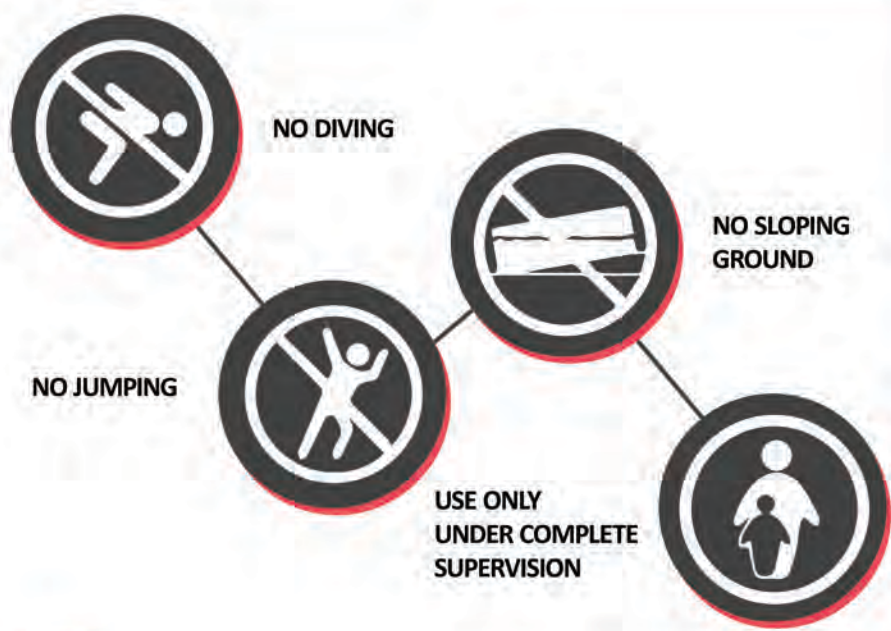
**WARNING** Always remove pool ladder when not in use. Store in a place where it is not accessible to children.

**DANGER** Prevent the Risk of Accidental Drowning. Never allow anyone who does not know how to swim to access the pool. Extreme caution must be exercised to prevent unsupervised access by children. To avoid accidents, ensure that children cannot use the pool unless they are supervised by an adult at all times. NEVER LEAVE CHILDREN UNATTENDED.

**WARNING** RISK OF ELECTRIC SHOCK. Connect Filter Pump only to a grounding type receptacle protected by a GFCI (Ground Fault Circuit Interrupter). Use a qualified electrician to install the GFCI, which has a maximum rating of 30A.

**WARNING** Know where the cut-off switch for your pump is at all times so you can turn it off in an emergency. It is necessary to have the GFCI cut-off switch plug accessible after installation of the pool.

**WARNING** Follow all safety and installation instructions provided with your filtration system.



### GENERAL WATER SAFETY

- Install Do Not Jump or Dive decals and signs on the pool.
- Supervise children at all times around water.
- Ensure you have a pool fence that is correctly installed and functioning.
- Follow all local and national pool safety codes.
- Learn CPR and keep in practice.
- Teach your children to swim.
- Read these safety instructions to your children often.
- Prepare yourself mentally for any situation that may occur. You may be required to offer adequate aid and assistance.
- Post emergency phone numbers near the pool and a phone.
- Keep any object that could be used by a child to climb into the pool at least 4 feet away from the side of the pool.
- Swimming pool and water safety publications are provided in the owner’s packet. Many other references are available online. You are urged to review them and share with all members of your family.

**REMEMBER – Children’s safety around the pool depends on you! Accidents don’t just happen to other people. They may happen to your children if they are not closely supervised when in or around the pool!**

### SAVE THESE INSTRUCTIONS

See additional safety warnings and instructions for pool use contained inside of the owner’s packet.

# WARNING

**TO LESSEN YOUR RISK OF SERIOUS INJURY OR DEATH, FOLLOW THESE RULES:**

## WARNING

To avoid electrocution, do not permit electric devices i.e. light, telephone, radio, television, hair dryer, etc. within 8ft of this pool.

## WARNING

**RISK OF ELECTRIC SHOCK.** Never operate any electrical appliance when in the pool or when your body is wet.

## WARNING

**NEVER** swim or bathe in the pool during rain or an electrical storm or if there is the threat of lightning in the vicinity of the pool.

## WARNING

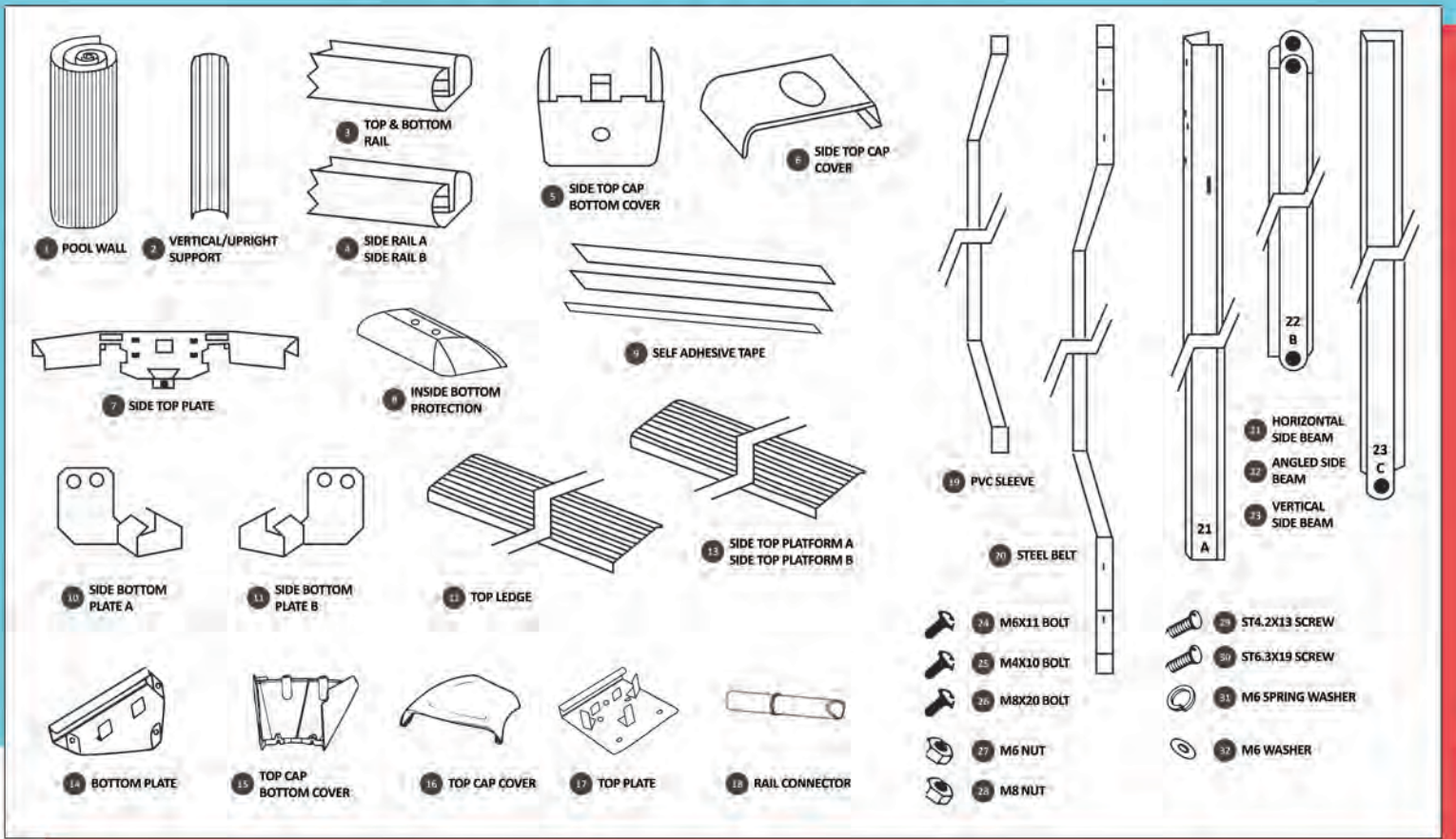
**NEVER** allow horseplay, diving or jumping into or around the pool. Never enter the pool via any decks or other raised surfaces because the water level of the pool is shallow. Serious injury, paralysis or death could result.

## CAUTION

It is advisable to wear protective gloves when assembling the pool.



# PRODUCT CONTENTS



## NOTE

Check all parts and ensure they are present and undamaged before starting assembly.

Report missing or damaged parts immediately to have them replaced.

Images and objects may differ slightly from actual parts.

#	PART DESCRIPTION	TOTAL # for 15'x30'x52" Oval
1	Pool Wall	1
2	Vertical/Upright Support	10
3	Top & Bottom Rail	16
4	Side Rail A / Side Rail B	8/8
5	Side Top Cap Bottom Cover	32
6	Side Top Cap Cover	6
7	Side Top Plate	6
8	Inside Bottom Protection	6
9	Self Adhesive Tape	1
10	Side Bottom Plate A	6
11	Side Bottom Plate B	6
12	Top Ledge	8
13	Side Top Platform A / B	4/4
14	Bottom Plate	10
15	Top Cap Bottom Cover	10
16	Top Cap Cover	10

#	PART DESCRIPTION	TOTAL # for 15'x30'x52" Oval
17	Top Plate	10
18	Rail Connector	40
19	PVC Sleeve	3
20	Steel Belt	3
21	Horizontal Side Beam	6
22	Angled Side Beam	6
23	Vertical Side Beam	6
24	M6X11 Bolt	144
25	M4X10 Bolt	78
26	M8X20 Bolt	60
27	M6 Nut	96
28	M8 Nut	60
29	ST4.2X13 Screw	52
30	ST6.3X19 Screw	12
31	M6 Spring Washer	64
32	M6 Washer	120

# SELECTING A SUITABLE SITE

Carefully select the site for your new pool. This is the most important decision you will have to make to ensure the safety and success of your pools construction. An incorrect site could cause problems in the future that may result in injury, death or financial loss. Carefully read the check list set out below when selecting your site.

## ACCEPTABLE

- Flat, level, firm and dry ground
- Easy access to all sides of the pool
- Position for the most direct sunlight exposure possible
- Ensure safe access to electricity for the filter pump and other pool accessories
- Easy access to a water source
- Protection from wind if possible
- A site for easily watching children

## TOOLS & MATERIALS REQUIRED

- Philips head screw driver
- Flat blade screwdriver
- Adjustable wrench
- Sand shifter
- Sharp stake
- Clothes pins
- 4' Level
- 14' long 2" x 4" board
- 16 pieces of 8" x 16" x 2" patio blocks
- Sharp knife
- Site excavation tools
- 4' x 4' piece of plywood
- Protective gloves
- Transit level

## NOT ACCEPTABLE

- Sloping ground
- Concrete, asphalt, sandy gravel and swampy ground
- Close to wooden construction e.g. Pergola's and decking
- Next to deciduous or leafy trees.
- Over-head wires and clothes line
- Drains, electric wires or gas pipelines underneath the site
- Areas with poor or little drainage
- Near sprinklers or over underground sprinkler



## STEP 1: POOL LOCATION AND SET UP

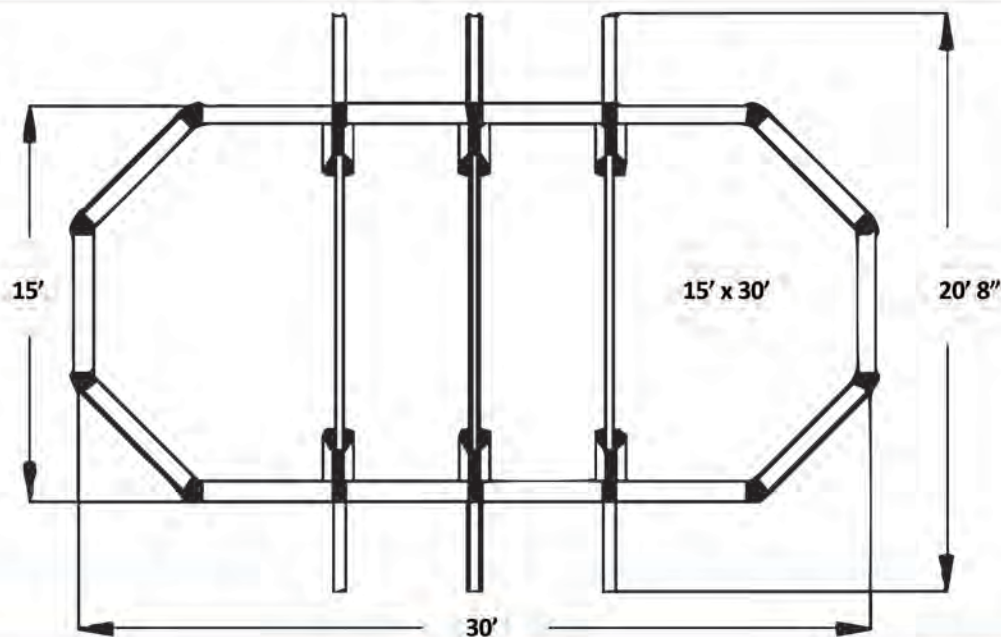
### POOL SITE PREPARATION

**Ground preparation is the most important step in the installation of the pool.**

**1.** Do not locate pool over underground lines, septic tanks, under electrical lines, near hazardous structures, or out of local code restrictions. **2.** Do not assemble your pool on asphalt, tar or oil base surfaces. **3.** Avoid areas with sharp objects, or ground treated with weed killer or other chemicals. **4.** Avoid areas where nut grass, Bermuda grass or bamboo grass grows, as they can grow through your liner. Grass must be removed.

Mark off your pool area by driving a stake in the center of the area where you will install the pool. Have a helper hold a tape measure or a string and mark off the pool perimeter using flour, chalk or spray paint. Remove all sod inside the pool area to a distance of 1' beyond the dimensions of your pool.

After removing the sod you must rake the dirt to remove any small rocks, stones, roots, sticks or other debris that could cause damage or tear the pool liner.



# STEP 2: LEVELING THE AREA

**Warning! Leveling is extremely important: take as much time as necessary to ensure the pool site is completely firm and leveled.**

DIAGRAM 5

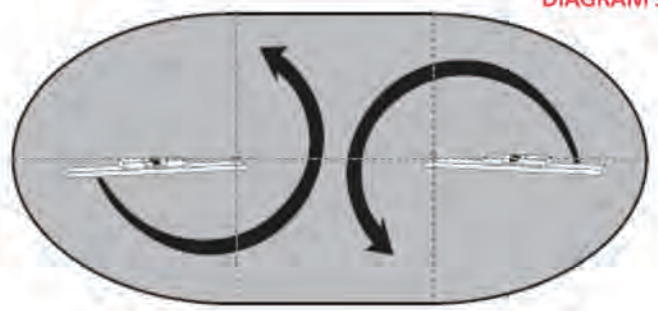
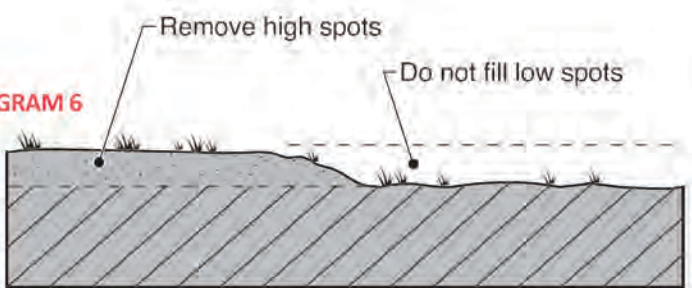


DIAGRAM 6



Spread a 2" layer of mason sand over the pool area. Level this layer evenly. (See Diagram 7)

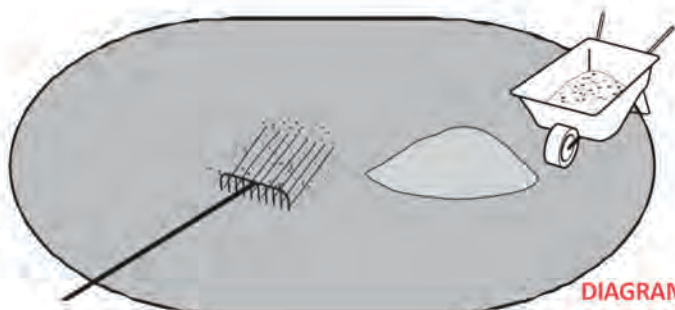


DIAGRAM 7

■ Use a carpenter's level and straight edge 2 x 4 board or transit level if available to ensure that the site is completely level! (See Diagram 5).

■ The pool contains thousands of gallons of water. Should the pool collapse due to unlevelled ground, it could cause significant property damage and even result in injury or death!

■ Remove the higher ground rather than filling the low laying ground (See Diagram 6).

■ Attention! Always remove rocks, stones, sticks, grass roots and other debris from within the circle.

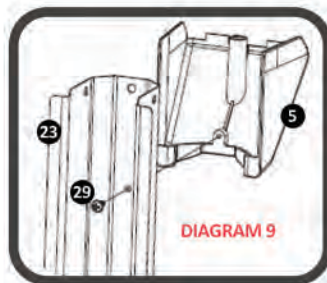
■ It is recommended that you use Rhino Pad® Pool Pad to ensure that the grass does not penetrate the pool liner and cause damage.

■ Once the pool site is completely leveled, debris removed and ground smoothed, you must place a 2" layer of mason sand that completely covers the inside of the pool perimeter. (See Diagram 7)

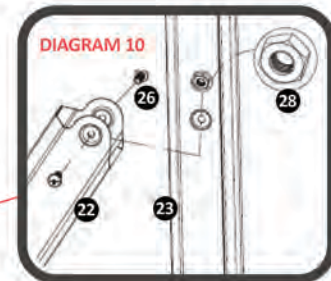
## STEP 3: SIDE FRAME SUPPORT ASSEMBLY

Once you have the ground preparation completed you can proceed with the side frame support and wall assembly & POOL WALL SIDE FRAME SUPPORT ASSEMBLY installation step. Follow each step and complete it carefully before moving on to the next step. Diagrams may not match the size pool you have.

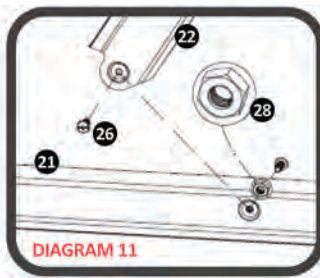
Side Frame Support consists of a left and right frame connected by a stainless steel belt. (See Diagram 8) Follow step 1, 2, 3 & 4 for detailed assembly instructions. (See Diagrams 9, 10, 11 & 12)



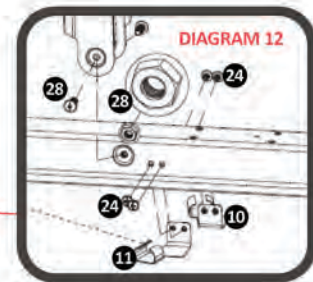
1. Connect the Side Top Cap Bottom Cover to the top of the Vertical Side Beam



2. Connect the Angeled Side Beam to the Vertical Side Beam



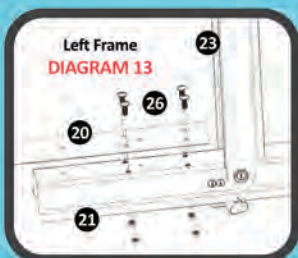
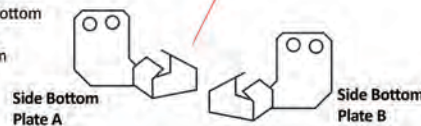
Horizontal Side Beam



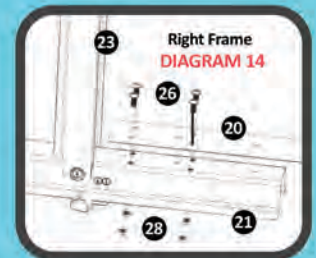
Angled Side Beam

Vertical Side Beam

Connect both Side Bottom Plate A and B to the Horizontal Side Beam



Connect the Steel Belt (#20) to either end of the Left and Right Side Pool Frames. (See Diagrams 13 and 14) Make sure the Steel Belt is protected by the PVC Sleeve (#19) which is provided in the package. This will protect the Pool Liner from damage.





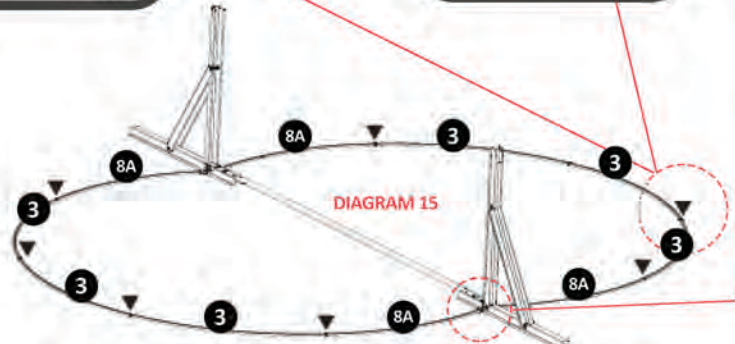
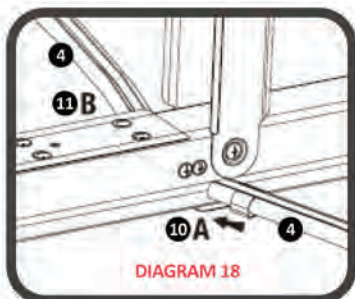
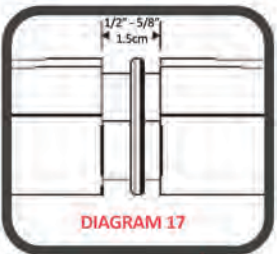
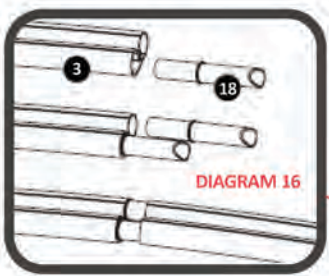
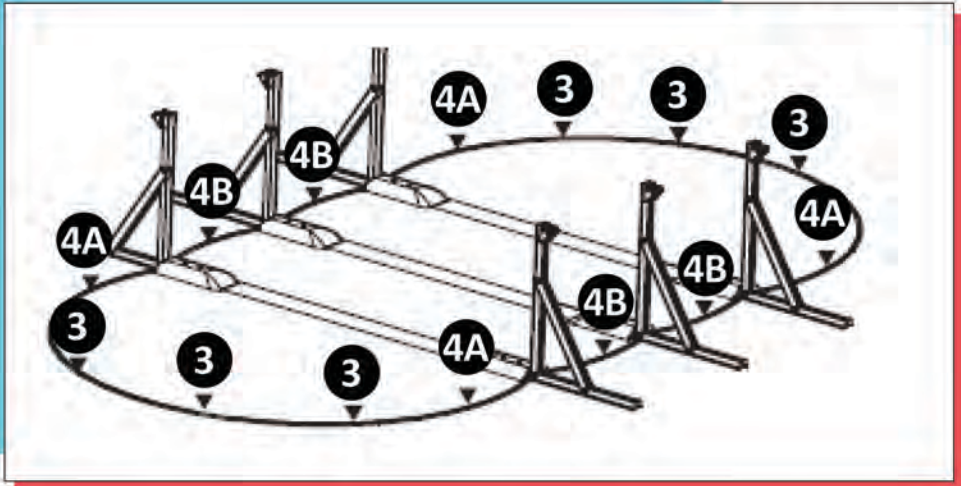
# STEP 4: ASSEMBLING THE BOTTOM RAILS AND CONNECTORS

1. Position the Left and Right Side Wall Frame in the middle of the prepared area. (See Diagram 15)

2. Place the Bottom Rails (#3) around the area where the Pool Wall is to be installed. (See Diagram 15)

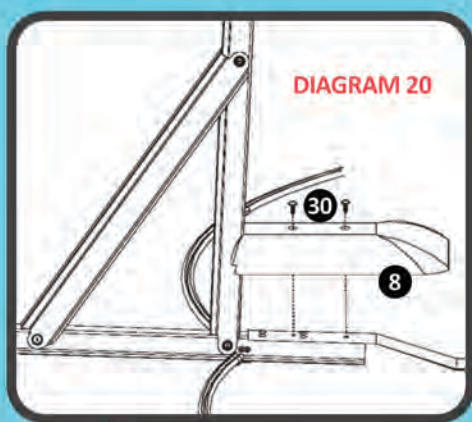
3. Connect the Bottom Rails together using 2 Rail Connectors (#18) per Bottom Rail (See Diagram 16) and leave a 1/2" - 5/8" gap between each connection. (See Diagram 17).

4. Connect the Side Rails (#4) to the Side Bottom Plate A and B (#10 & 11) either side of the Frame Supports. (See Diagram 18)



## STEP 4: Part 2

### ASSEMBLING THE BOTTOM RAILS AND CONNECTORS

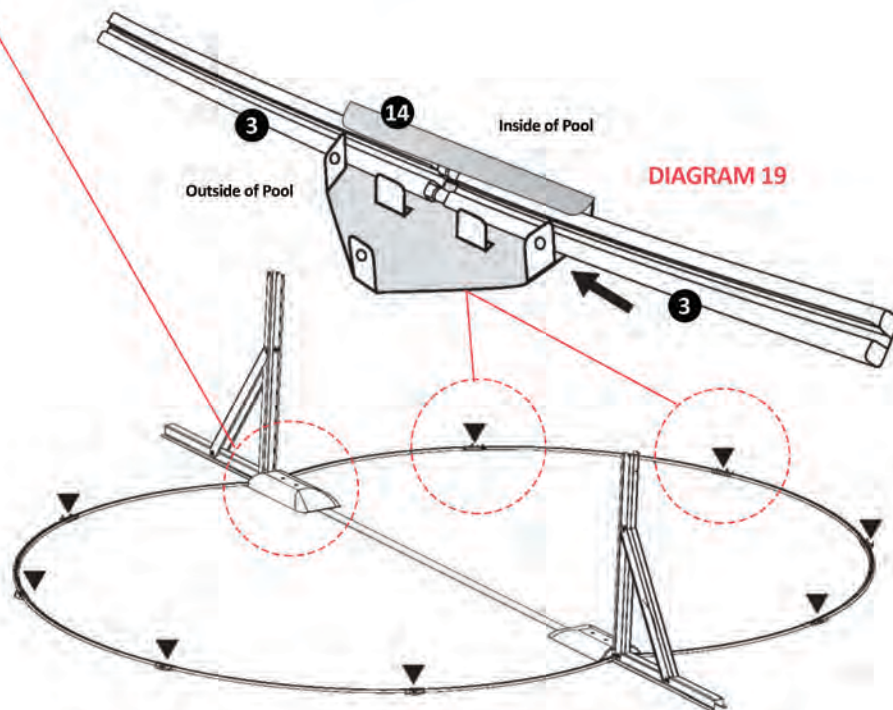


#### Follow Steps 5, 6, 7 & 8 (Diagrams 19 & 20)

5. Place the Bottom Plates (#14) between the joins of the Bottom Rails (#3) with the triangular end pointing out from the Pool Wall. (See Diagram 19)

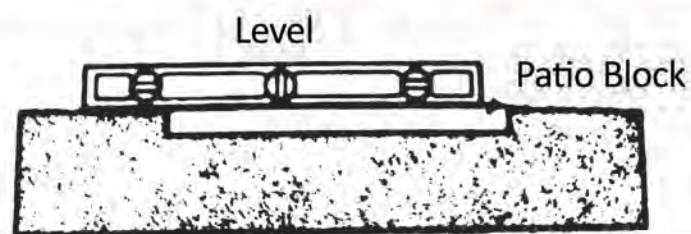
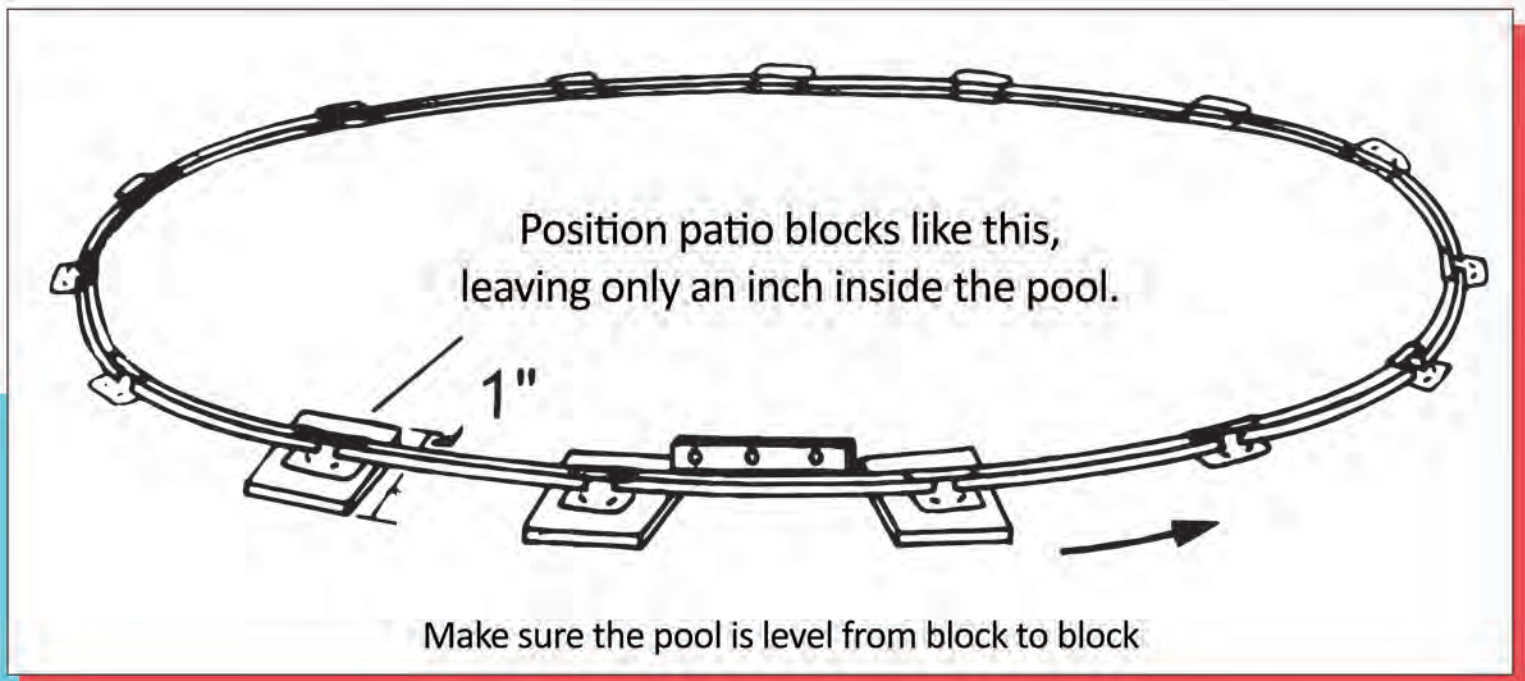
6. Place the Inside Bottom Protector (#8) over the Steel Belt (#20) and screw into the Horizontal Side Beam.

**NOTE:** Ensure the PVC Sleeve (#19) covers the Steel Belt to prevent damage or rust effecting the pool. (See Diagram 20)



## STEP 5: PATIO BLOCK INSTALLATION

Once the frame is in position, begin centering Bottom Plates (#6) on patio blocks. Sink patio block into ground under bottom plate, making sure that the block is level in all directions (side to side as well as front to back). Repeat this step around the frame making the tops of all blocks level with the ground. Do not install patio blocks or rails on loose sifted soil or sand. There must be no space between the ground and bottom of the rails. All patio blocks must be flush with the ground, solid and level with each other in all directions. You may remove a Bottom Rail at this time to cart in sand or sifted soil for the cove as long as your pool ring remains staked in position. Make sure you replace the bottom rail in its proper position. A chalk outline of the Bottom Plates on the patio block is an easy and temporary way to ensure that your track does not move throughout the remainder of the installation.



Check for levelness in all directions



## STEP 6: INSTALLING THE POOL WALL

7. Place the Pool Wall (#1) with the Skimmer Hole at the top, onto a piece of cardboard, ply wood or ground cloth to protect the leveled ground during installation.

**Note:** Position the Pool Wall's Skimmer cutout in the same location to where your electricity supply will be to power the filtration system. You will need 2 or 3 helpers with this step. (See Diagram 21)

**CAUTION:** Wear protective gloves when handling the metal wall.

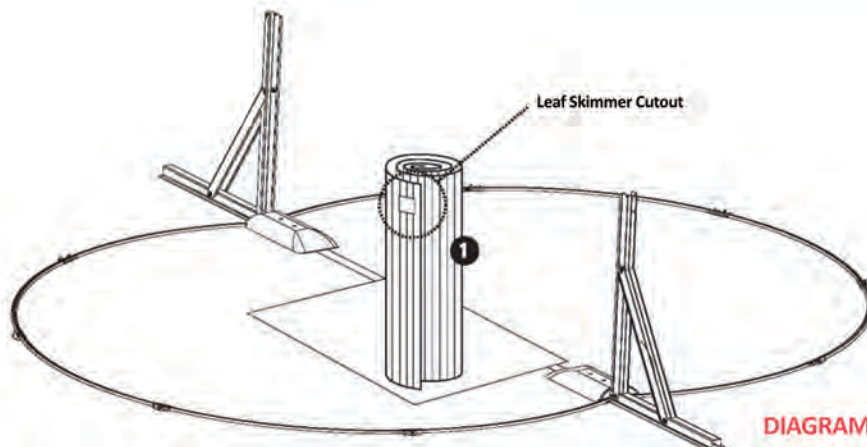


DIAGRAM 21

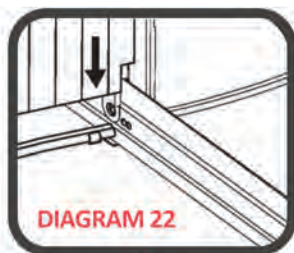
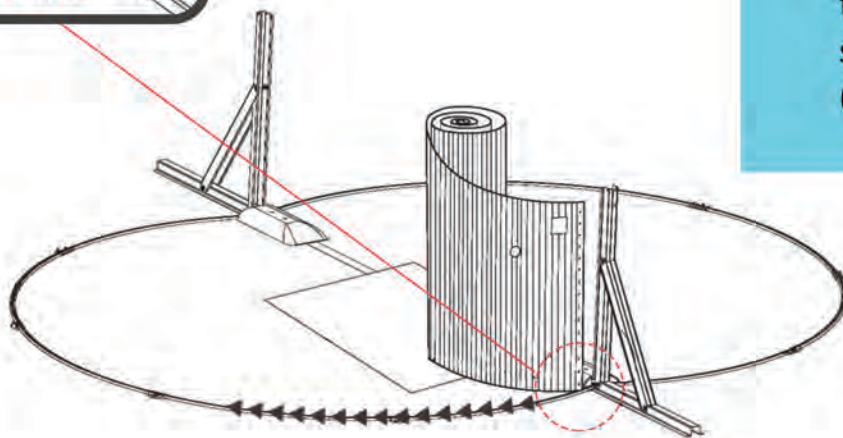


DIAGRAM 22



8. Rest the end of the pool wall in the Side Bottom Plate between the gap in the Side Rail. Make sure the prepared location is not prone to constant windy conditions. Continue unrolling and placing the bottom edge of the Pool Wall in to the rails until the full length of Pool Wall is sitting in the Bottom Rails. (See Diagram 22)

## STEP 6: Part 2

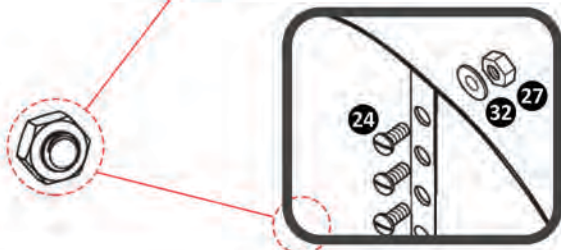
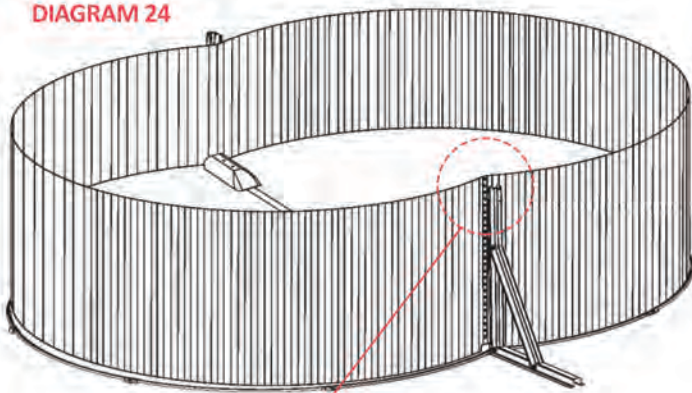
### INSTALLING THE POOL WALL

**Stop at this point to make sure you have the wall cut outs where you want them.**

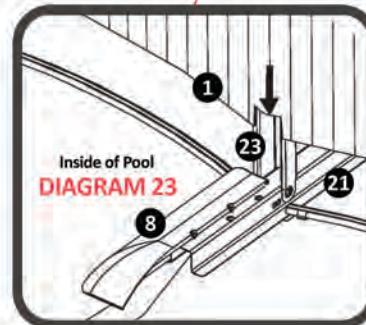
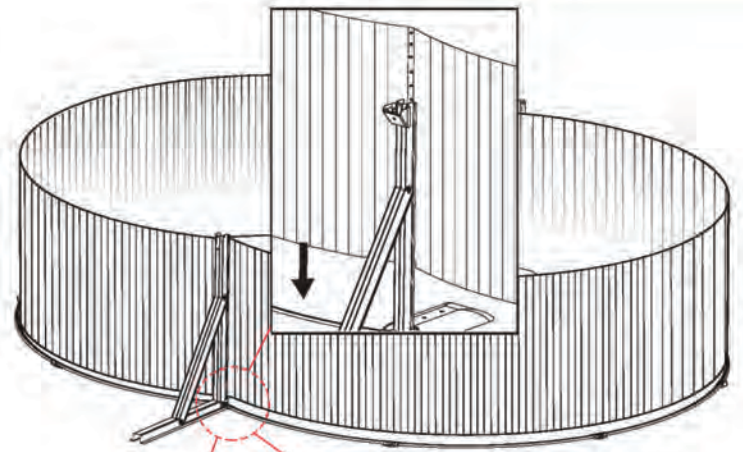
9. On the opposite side of the Pool Wall, carefully lift and place the steel wall in between the Side Support Frame and the Inside Bottom Protector. (#8)

**Note:** There is a section cut out of the Pool Wall that will allow the wall to slot over the Horizontal Support Beam. (See Diagram 23)

DIAGRAM 24



**NOTE:** At this stage, it is recommended that you assemble the Pool Ladder to place over the Pool Wall to gain access to the inside and outside of the pool areas.



10. Line up the two ends of the Pool Wall when begin inserting and hand tightening each bolt and nut until the full length of the join is assembling (see diagram 24). Do not completely tighten bolts before you check the wall is in the correct place, level and that no damage has occurred to the Pool Wall.

## STEP 6: Part 2 CONT. MEASURING THE POOL WALL

Check the Pool Wall level by placing a length of timber beam or similar across the diameter of the Pool Wall and placing the builders level on the top of the timber beam. You may also use a string level for this step (See diagram 26). If your pool is not level then you must move the Pool Wall, dismantle the pool frame and re-level the ground site. Check also if the Pool Wall is oval and measure the diameter across a few spots to make sure the differences of each diameter and width measured are within  $3/4"$ .

**CAUTION!** Try not to damage any of the components when disassembling the Pool Wall to correct the level of the ground.

Once the measurements and levels are correct and all nuts and bolts are tightened, you must cover the exposed bolt heads with the Self Adhesive Tape (#9) (See Diagram 27 and 28). This step is necessary to prevent damage to the liner from the bolt heads.

**WARNING!** A pool that is not level is very dangerous and may collapse at anytime.

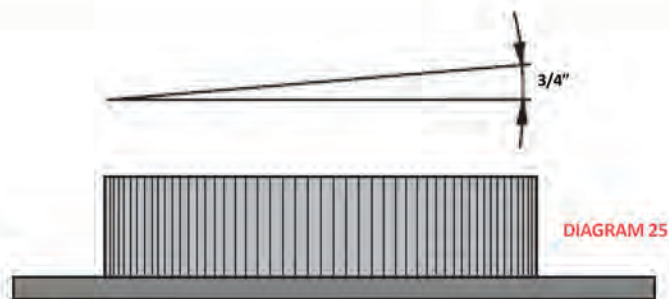


DIAGRAM 25

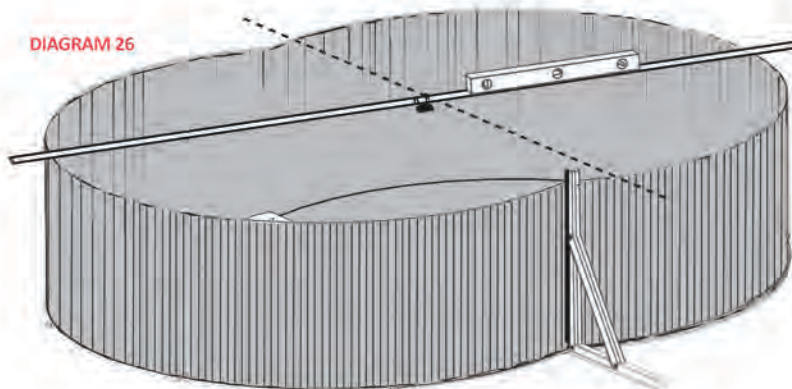


DIAGRAM 26

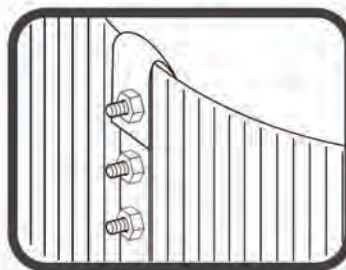


DIAGRAM 27

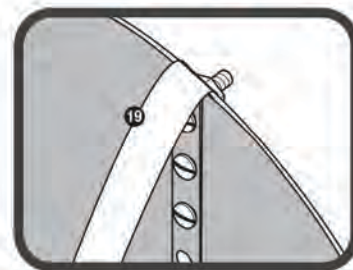


DIAGRAM 28

## STEP 7: PREPARING THE COVE

**DO NOT USE ANY SUBSTANCE WITH HIGH ALKALINE OR ACID CONTENT, ESPECIALLY PEAT MOSS, AS IT WILL CORRODE METAL PARTS!**

To protect the liner against the sharp edges of the Metal Rail and Pool Wall, it is necessary to build a protective cove at the base of the pool wall. Using Aqua Select® cove molding or fine sand, build a pool cove 6" high inside the metal wall along the entire circumference. This will prevent the liner from creeping under the wall, and it will also protect the liner from any metal edges of the pool framework.

**THIS STEP IS NOT OPTIONAL- IT MUST BE DONE!**

Since earth containing chemicals can cause discoloration or corrosion, it is suggested that you place a Rhino Pad® Pool Pad under the cove around the perimeter of the wall, so no earth comes in contact with the metal. Since the presence of such chemicals is beyond the control of the manufacturer, such damage is not covered by the warranty.

After the cove and the base are in place, rake and tamp the entire pool area. Make sure that no sand is allowed to remain on the wall above the cove. This could cause pinholes in your liner.

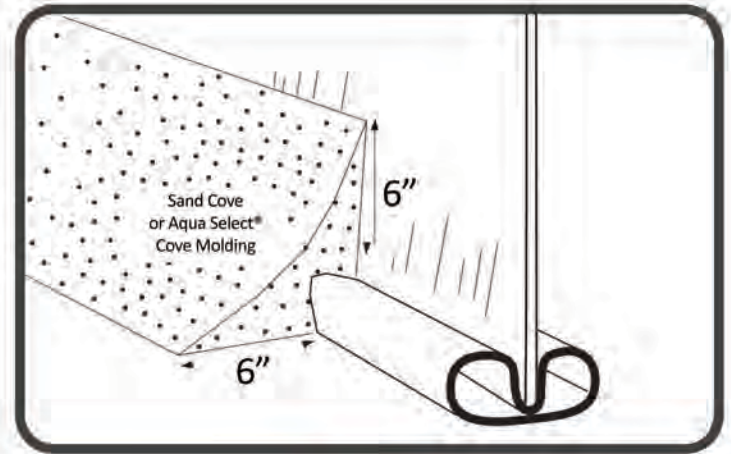


DIAGRAM 29

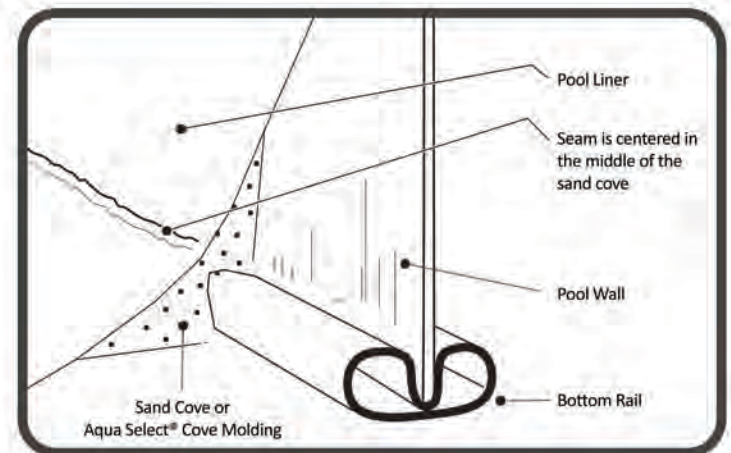


DIAGRAM 30



## STEP 8: INSTALLING THE POOL LINER

Now that you have installed the wall, created the protective cove and re-smoothed the sand floor it is time to install your liner.

The following general instructions apply to a typical overlap style pool liner. If you have a different style liner, please refer to the liner manufacture's installation instruction for the next step.

Important – Only attempt to install the liner on a warm and sunny day, preferably above 72°F. Unfold the liner and put it in the sun for 2 hours. This helps to soften the liner. If the temperature is below 60°F, the liner will be hard and rigid and quite difficult to handle

**CAUTION** – You should have 2 or 3 helpers for the following liner installation steps.

Carefully place the liner inside the pool at the center of the pool floor being. Do not to disturb the smoothed sand floor. Extend it evenly until the seam line between the wall and floor panels reaches the base of the pool in the center of the protective cove. Smooth out all the wrinkles in the liner. Straighten the liner wall seam and hold it perpendicular to the ground.

Drape the pool liner over the Pool Wall. There should be an overlap of about 1 1/2" - 2" minimum of the Pool Wall height (See Diagram 31, 32). Temporarily hold the overlap in place with clothes pins.

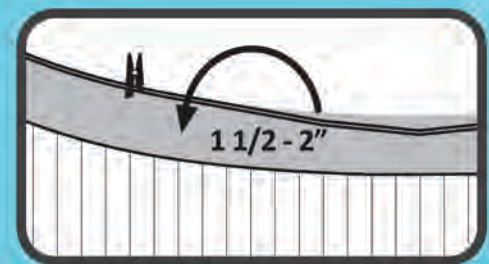


DIAGRAM 31

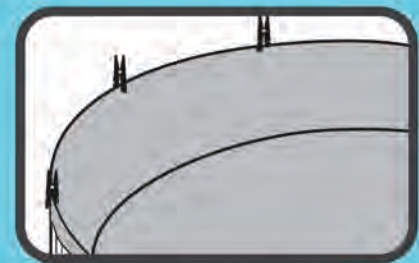


DIAGRAM 32



## STEP 8: Part 2

### INSTALLING THE POOL LINER

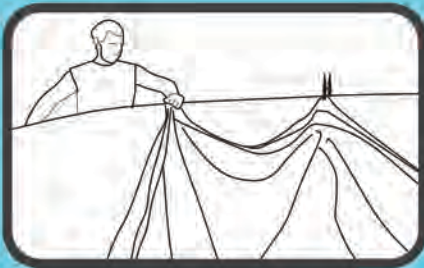


DIAGRAM 33



DIAGRAM 34

Confirm the pool liner is placed evenly inside the wall (See Diagram 33). If the liner is tight you can stretch it to fit smoothly on the inside of the wall. If the liner is loose you may not have it centered properly in the pool. Check if the overlap is uniform. You will want the pool liner to be slightly short and only touching the pool floor in the center of the pool so pull up an additional 3" of liner vinyl over the wall and re-pin with the clothes pins.

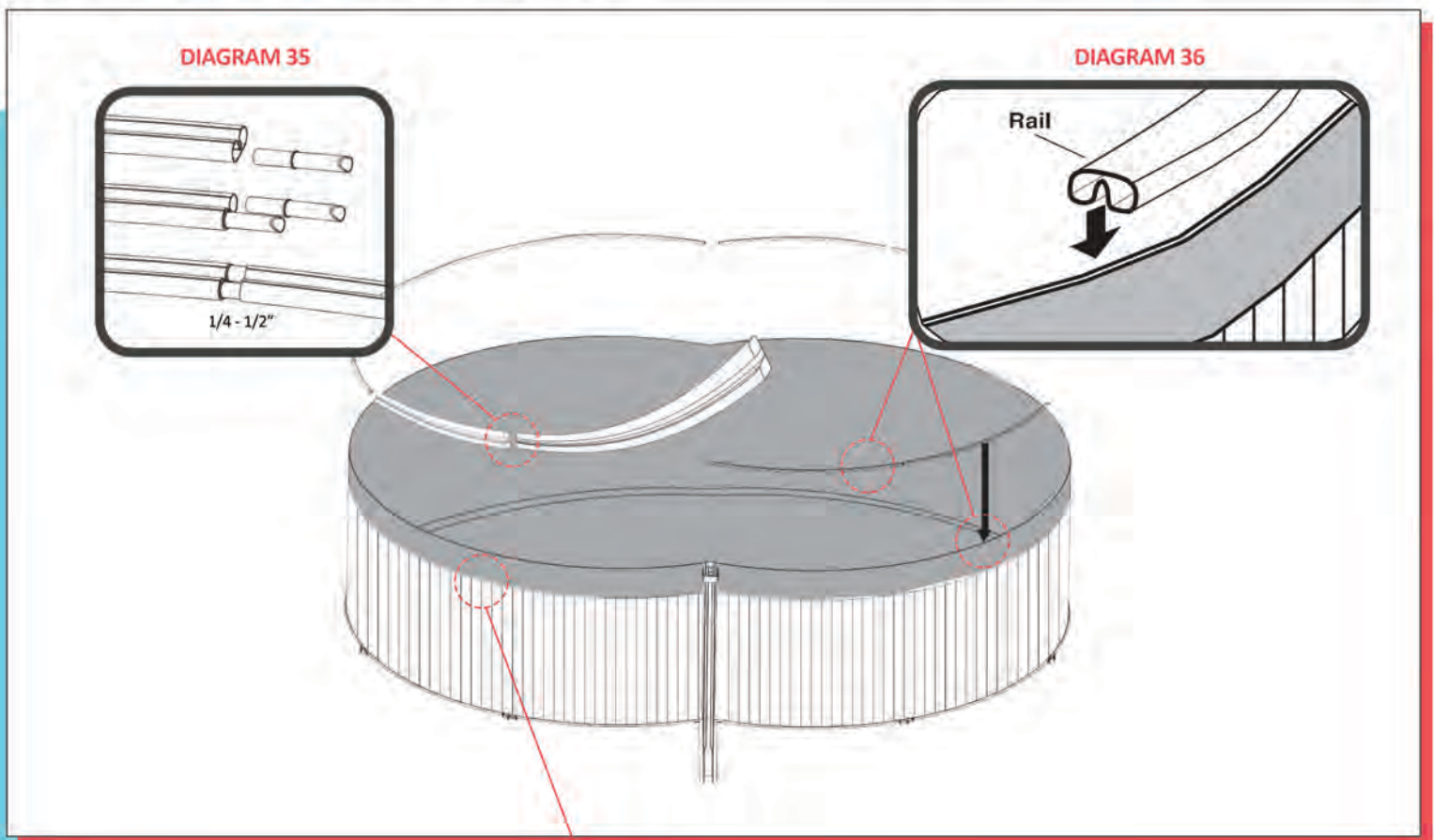
Start filling the pool and continue until you have about 1 foot of water. As the water stretches the liner down to the pool floor and against the Pool Wall you may need to release some of the excess overlap liner material.

Before proceeding further you will want to re-check to see if water is level, if not, something is wrong and you will have to remove the liner and Pool Wall to re-level the pool area.



## STEP 9: INSTALLING THE TOP RAILS

Remove the pins one at a time while applying the Top Rails (#3) (See Diagram 36). Slide the Rail Connectors (#18) into one end of the Top Rail (#3), make sure to leave a  $1/4'' - 1/2''$  gap between the two ends of the rail (See Diagram 35), then connect another top rail and continue around the circle until all Top Rails are joined together (See Diagram 35)

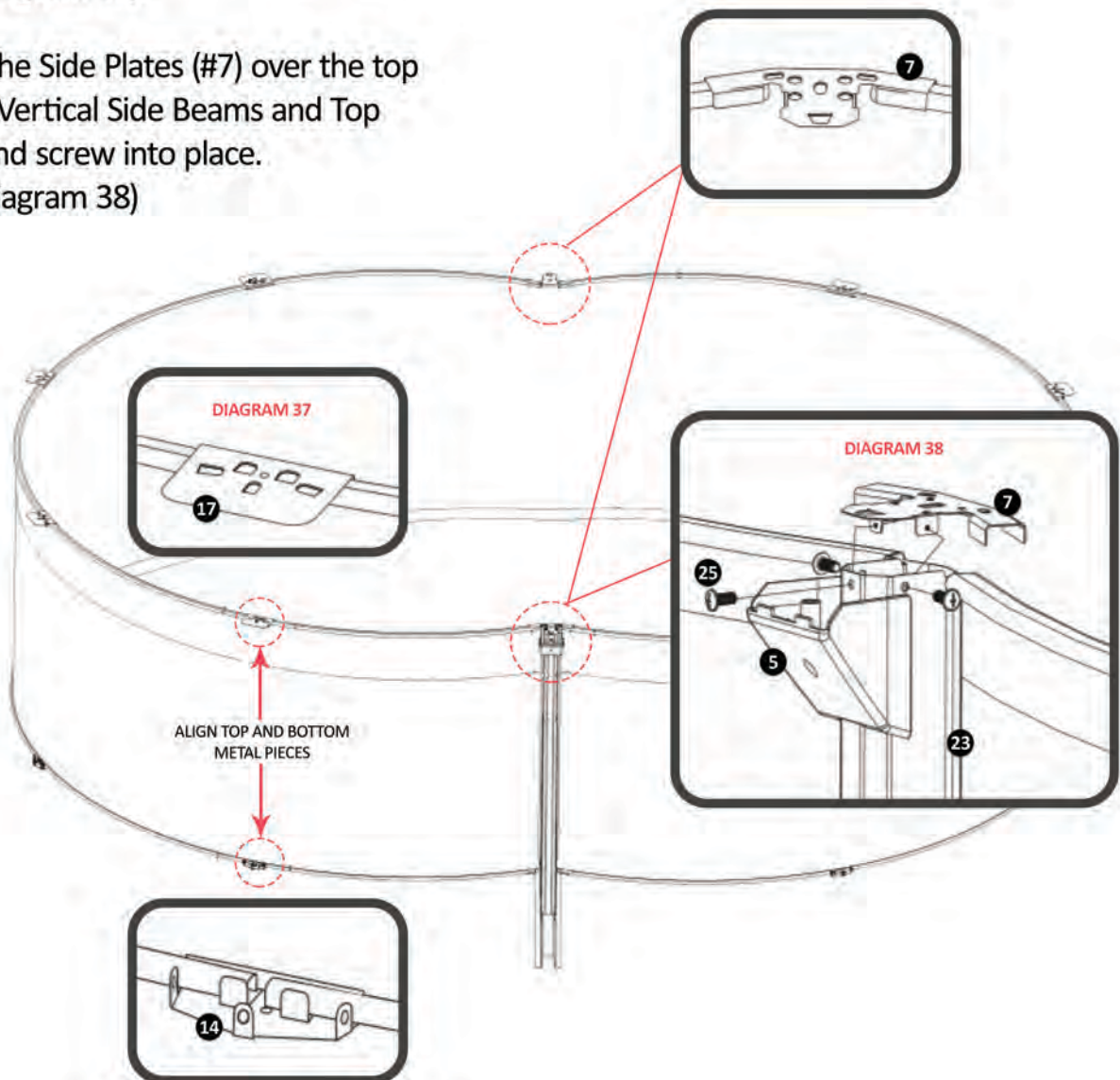


Do not cut the excess liner overlap from the outside of the Pool Wall. If you cut off the overlap, it will make the next installation step difficult. Finish connecting the Top Rails to complete the circumference of the pool. Adjust the amount of the gaps to either expand or close up the Top Rail as needed.

## STEP 10: INSTALLING THE TOP AND SIDE PLATES

Hook the Top Plates (#17) over the Top Tail (#3) between the rail connections and align with the Bottom Plates (#14). (See Diagram 37)

Place the Side Plates (#7) over the top of the Vertical Side Beams and Top Rails and screw into place. (See Diagram 38)



## STEP 11: INSTALLING THE CURVED & STRAIGHT SIDE TOP LEDGE

Place the three Side Top Ledge (#13) on top of the Top Rails (#3) and align the holes over the Side Top Plate (#7). Using four Bolts, Washers, Spring Washers, attach the Side Top Ledge (#13) to the Side Top and only hand tighten. Place a Top Ledge (#12) at the end of one of the Side Top Ledge (#13) and attach using four Bolts, Washers, Spring Washers and Nuts. Continue this process until all of the Top and Side Top Ledge are attached to all of the Top and Side Plates.

(See Diagrams 39, 40 and 41) Check the alignment but do not tighten.

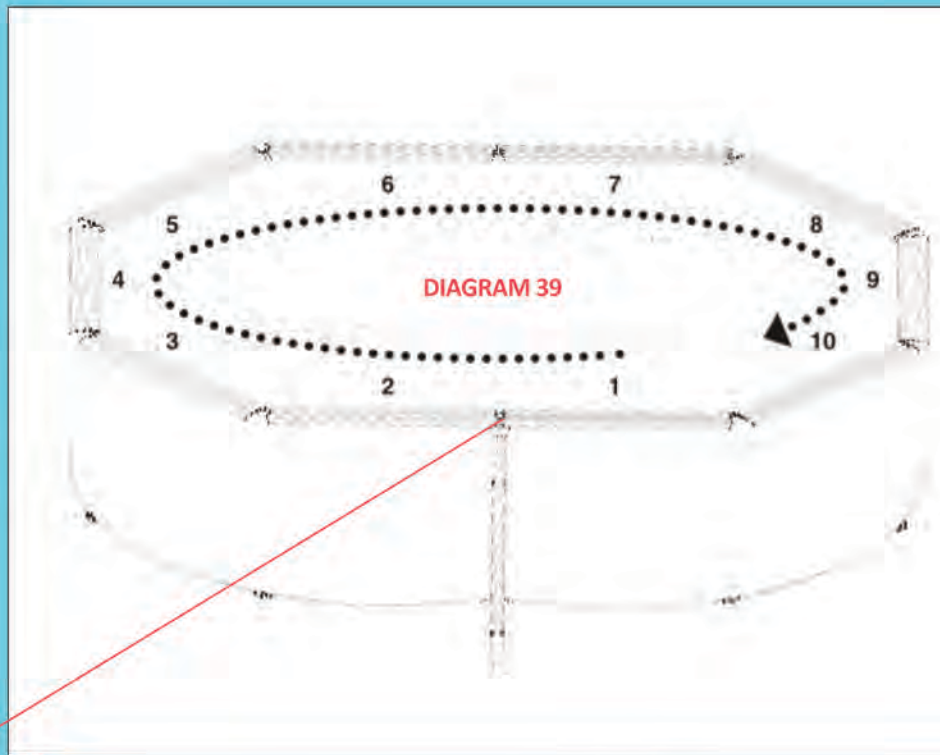
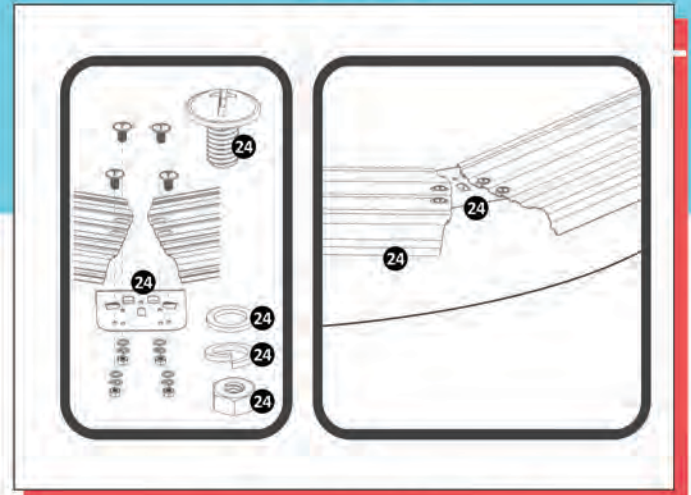
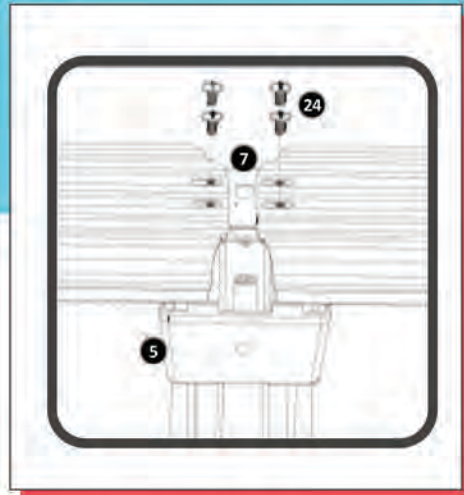
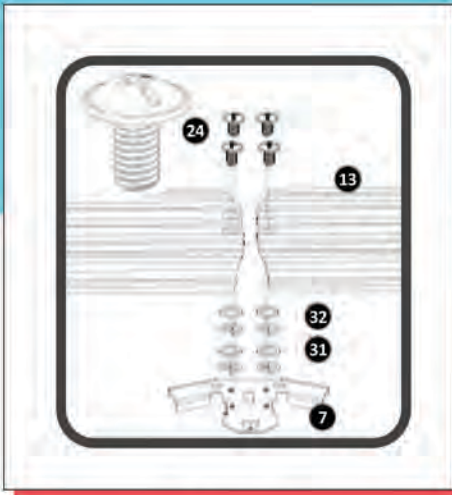


DIAGRAM 40

DIAGRAM 41



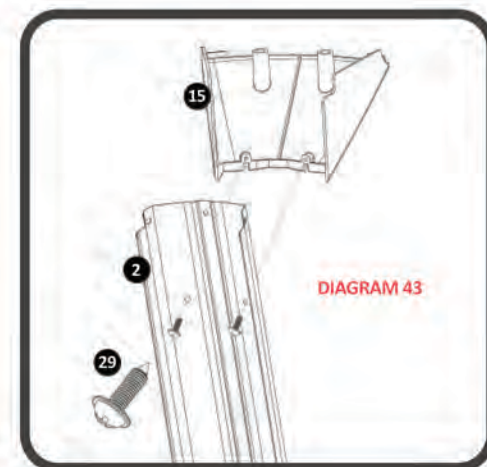
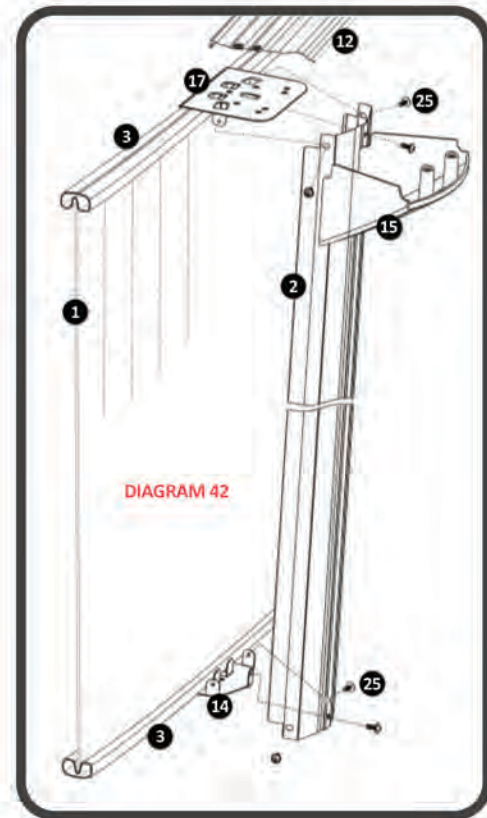
1, 2, 6 AND 7 SIDE TOP LEDGE AS SHOWN IN DIAGRAM 39

Top Ledges: 3, 4, 5, 8, 9 and 10  
As shown in Diagram 39

## STEP 12: ASSEMBLY OF THE UPRIGHT/ VERTICAL SUPPORTS

Attach the Top Cap Bottom Cover (#15) to the Vertical/Upright Support (#2) using the screws provided (See diagram 43). Line up all of the screw holes of the Vertical/Upright Supports with the Top and Bottom Plates. Fix the Vertical/Upright Support onto the Top and Bottom Plates and hand screw into place.

Continue this process around the pool until all of the Uprights/Vertical Supports are attached. Check and adjust the alignment of the Uprights/Vertical Supports to ensure that they are indeed vertical and straight then go around the pool and tighten all screws top and bottom. (See diagram 42)



## STEP 13: TOP AND SIDE CAP ATTACHMENT

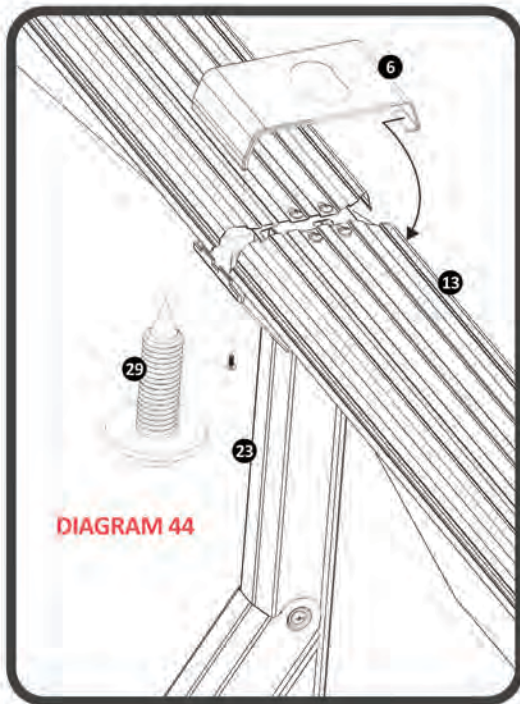
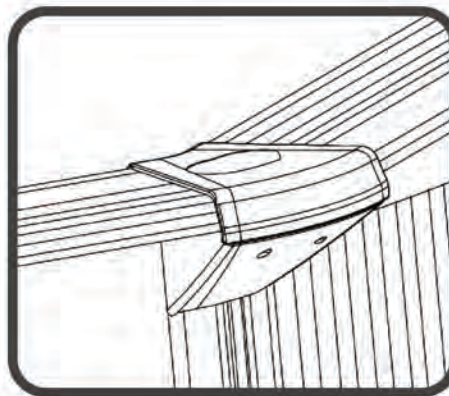
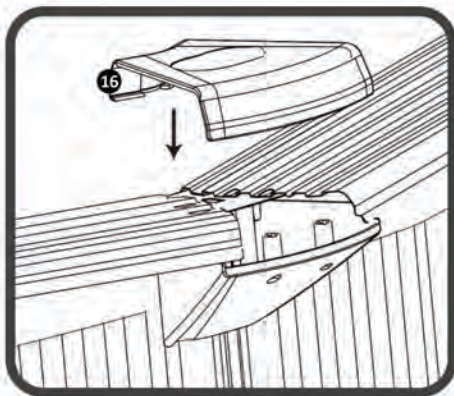


DIAGRAM 45



The Top Caps (#3) covers are for covering and protecting the edges of the Top Rails.

Clip the non-screw end of the Side Top Cap Cover (#6) over the Side Top Ledge join and screw the other end into place. Using the same method, attach the Top Cap Covers (#6) for the Top Ledges and screw into place. Do not over tighten! (See Diagrams 44 and 45)

## STEP 13: INSTALLING THE WIDE MOUTH SKIMMER

### SAFETY WARNINGS!

Install all safety warning signs and decals included with your pool.



DIAGRAM 46

### INSTALLING THE WIDE MOUTH SKIMMER

For protecting and safety, all edges of skimmer and return fitting knock out have to be covered by vinyl tape or rust proofing paint.

Begin the installation of the through the wall skimmer and return water fitting. Follow separate skimmer installations.

### INSTALLATION OF THE FILTRATION SYSTEM

Follow the manufacturer's instructions for installation of your filtration system. Once complete with all hoses attached to the pool skimmer and return water fitting you are ready to finish filling the pool.

**Follow all safety warnings included in filtration system installation manual.**

### FILLING THE POOL WITH WATER

Before you fill the pool with water, thoroughly check to see if there are any loose screws not tightened during the pool frame installation process. Also check for holes or tears in the liner. Fill the pool until the water is half way up the skimmer opening or a minimum of 6" from the top of the Pool Wall (See Diagram 46). This will ensure water is entering the skimmer opening and flowing into the filter system.

**SAFETY WARNING! To avoid pool collapse, never leave the pool empty without water!**



**LAKE EFFECT**  
SWIMMING POOLS



## POOL MAINTENANCE

- Always keep your pool clean.
- Apply and maintain the correct pool chemicals. For best results use Rx Clear® brand chemicals.
- Unsanitary water is a serious health hazard.
- Maintain pool pH level between 7.2 to 7.6.
- Contact a pool professional for advice if you have questions about your filtration system.
- Clean dirt and debris from the pool with an appropriate vacuum system designed for use with your pool.
- Run your filtration system as instructed in the system's manual based on your volume of pool water. Allow enough running time to ensure the pool water is completely filtered.
- Keep the water height at mid-skimmer level or about 6" from the top of the wall.



## ADDITIONAL POOL & WATER SAFETY GUIDELINES

- Do not allow anyone who does not know how to swim to access the pool.
- Child supervision should be close and constant.
- Name only one safety supervisor.
- Reinforce supervision when there are several users in the swimming pool. Have personal flotation aids available (for people who cannot swim).
- Teach your children to swim as early as possible.
- Wet your neck, arms and legs before you enter the water.
- Make sure you are trained in life-saving techniques, especially those for children. Forbid children from diving or jumping into the pool.
- Forbid races and rough play in the pool.
- Do not allow children who are unable to swim to enter the pool without swim vest or armbands, and without adult supervision. Flotation devices are not a substitute for adult supervision.
- Do not leave toys near or in the pool with no supervision.
- Store the water treatment products away from children's reach.
- Always keep a telephone at or near the pool side so as to not leave children alone when you are on the phone.
- Always keep pool buoy and pool pole at the pool side.
- Keep the pool fence gate shut when the pool is not occupied.
- If possible, use an electronic pool alarm that can detect someone falling into a pool.
- Install all warning and danger decals/signs as instructed.
- Always keep the water clear and sanitized.

**THERE IS NO REPLACEMENT FOR CLOSE ADULT SUPERVISION OF CHILDREN**