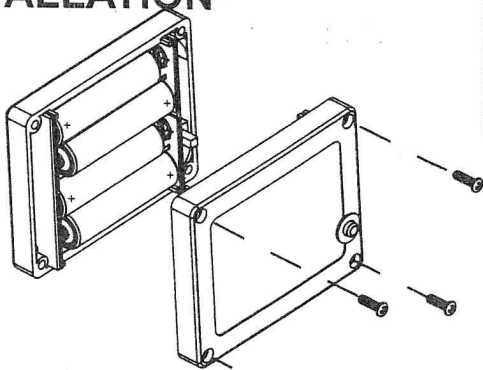
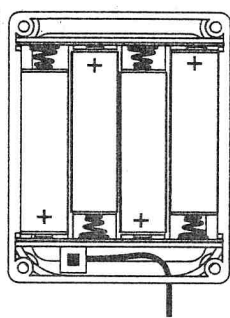
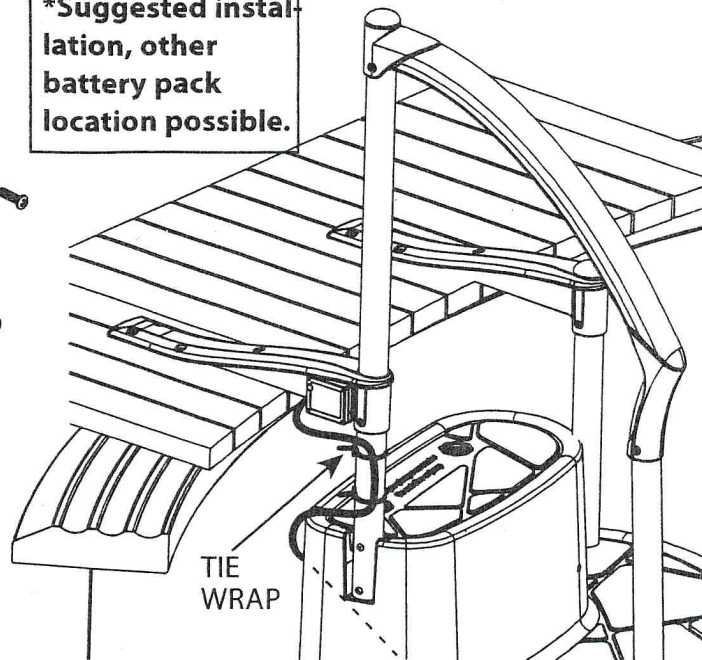


B DECK INSTALLATION*

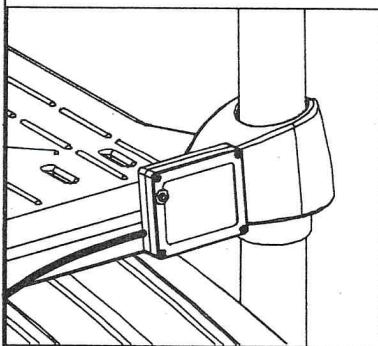


*Suggested installation, other battery pack location possible.

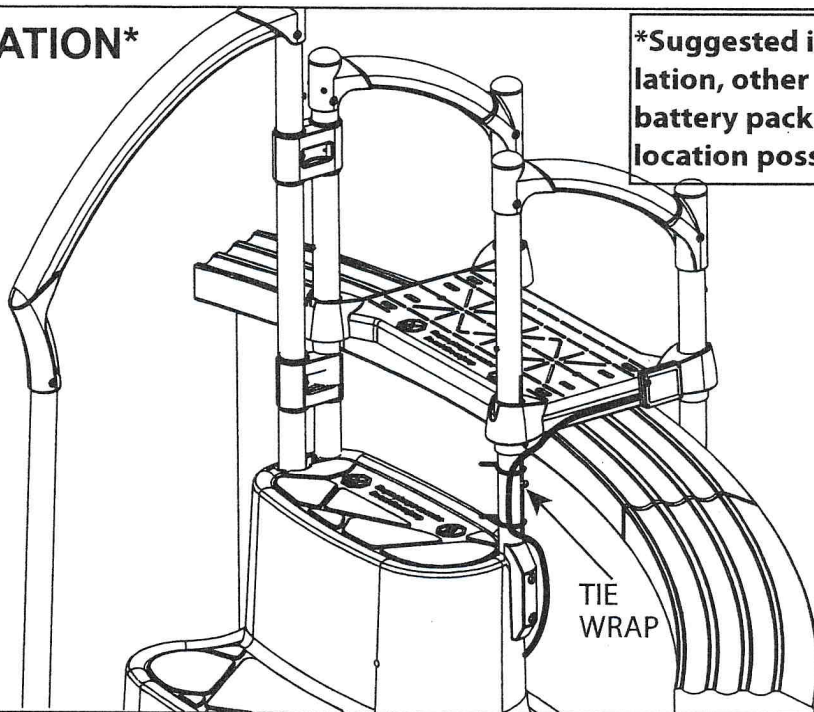


- 1) Unfasten the four screws and remove the battery cover. Install the 4 AA battery with the correct polarity as described.
- 2) Make sure that the surface is free of dust and free of grease before you apply the adhesive tape. Peel the adhesive backing from the back of the box.
- 3) Apply on the deck bracquet or other suitable locations.
- 4) Secure the electrical cord to the tubular post with the tie wraps provided.

C STEP COMBO INSTALLATION*



*Suggested installation, other battery pack location possible.



- 1) Install the battery as per above instructions. Peel the adhesive backing.
- 2) Apply on platform edge.
- 3) Secure the electrical cord to the tubular post with the two tie wraps provided.

D WINTER STORAGE & USED BATTERY DISPOSAL

Remove the step and light fixture assembly from the pool and store in a dry and unexposed storage facility. Do not dispose of used batteries in the regular trash bin! Recycle used batteries at approved local facilities.

⚠ CAUTION

- ◆ The lighting fixture may be damaged if subjected to freezing weather.
- ◆ Remove the entire step assembly from the pool and allow all water to drain from the step and dry before storing.
- ◆ Store in a dry location unexposed to winter conditions.
- ◆ Do not submerge the battery pack, the product could be damaged.
- ◆ Do not throw used battery in trash bin that may contain hazardous materials.

REV. 2013/01/16

InnovaPlas
The pool Step Company

Contact your Innovaplas dealer for more informations on the product.

370, boul Lajeunesse O.
Saint-Jérôme, QC
J7Y4E5
WWW.INNOVAPLAS.COM

