

GROUNDING CONNECTOR INSTALLATION

The Grounding connector must be installed at 5 locations on all round and oval pools.

Lower Rail Side

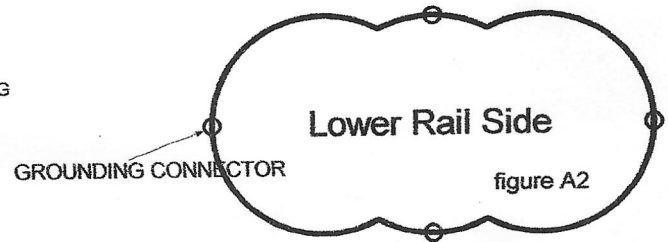
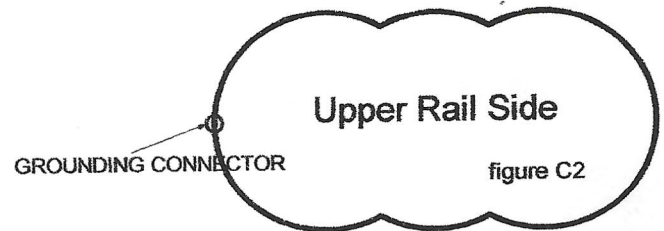
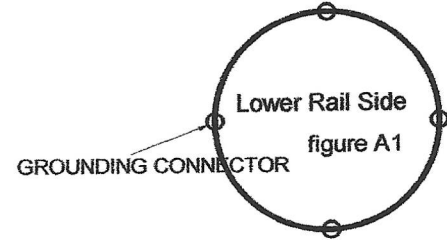
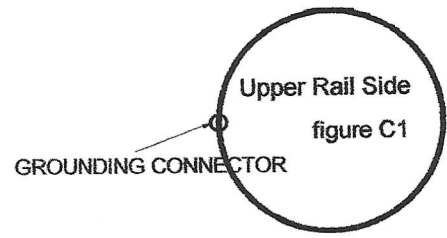
Install 4 Grounding Connector as shown figure A1,A2

1. Before installing wall, insert Grounding connector into the lower rail at the point as shown figure B.

Upper Rail Side

Install 1 Grounding Connector as shown figure C1,C2

1. Before installing upper rails, place 8" aluminum tape on coping directly below all upper joint as shown figure D.
Additional for oval pools
for oval pool, place 8" aluminum tape on coping directly below all side upper joint as shown figure E.
2. Insert 1 Grounding connector next to the aluminum tape as shown figure D.
3. Installing upper rail over aluminum tape, Grounding connector and coping as shown figure D.



Preparation GROUNDING CONNECTOR Parts

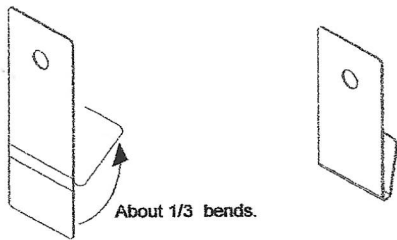


figure D

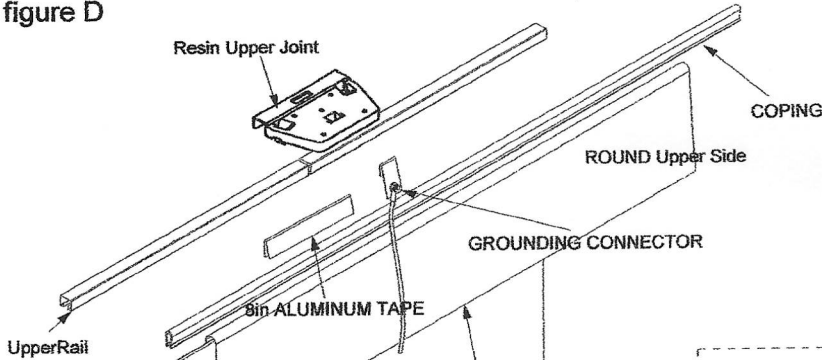


figure B

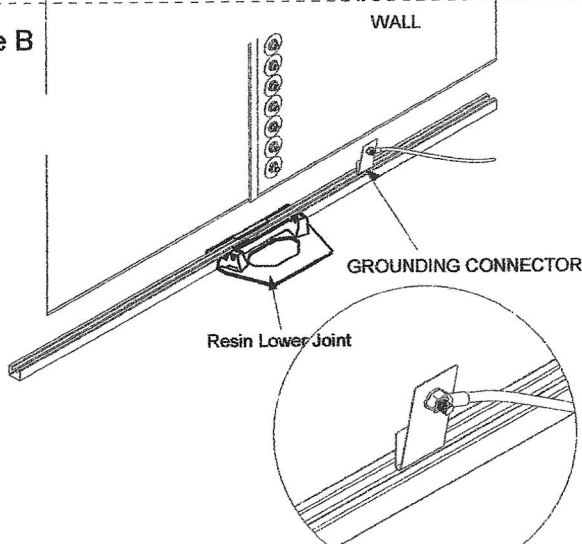
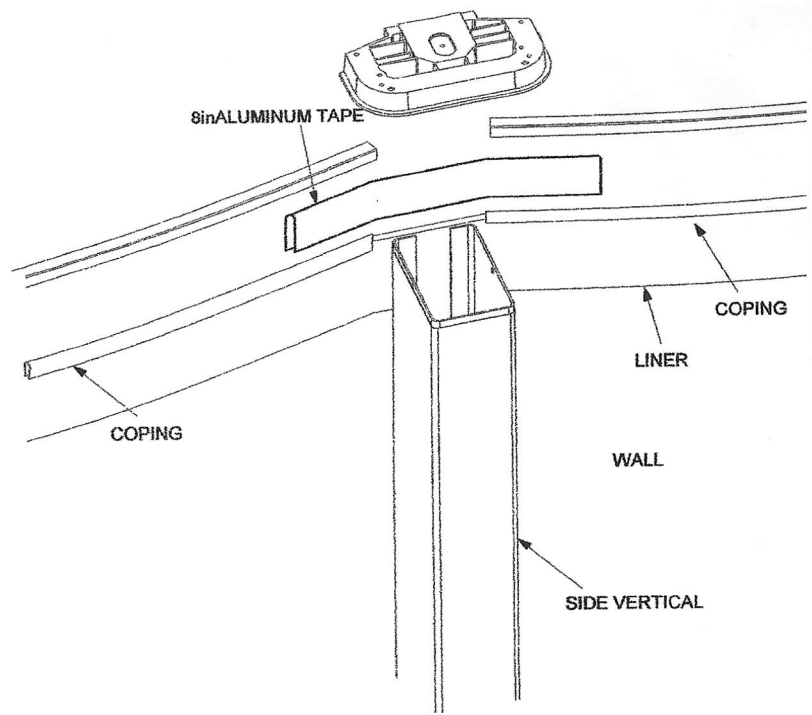


figure E



Com Resin Frame Pool (Resin Joint / 5/8in Rail)

Parts Name	Description 1	Description 2	Parts #	12A	15	18	21	24	27	30	33	36	17x12A	22X12A	27X12A	25x15	30x15	33x18	41x21	
Com Radius Top Seat (Resin)	1444mm / 56-7/8"		1108	8	10	12	14	16	18	20	22	24	10	12	14	14	16	18	22	41x21
Com Vertical (Resin)	1310mm / 52"		2394	8	10	12	14	16	18	20	22	24	8	8	8	10	10	12	14	14

Parts Name	Description 1	Description 2	Parts #	12A	15	18	21	24	27	30	33	36	17x12A	22X12A	27X12A	25x15	30x15	33x18	41x21	
Com Radius Top Seat (Resin)	1444mm / 56-7/8"		1108	8	10	12	14	16	18	20	22	24	10	12	14	14	16	18	22	41x21
Com Vertical (Resin)	1310mm / 52"		2394	8	10	12	14	16	18	20	22	24	8	8	8	10	10	12	14	14

Parts Name	Description 1	Description 2	Parts #	12A	15	18	21	24	27	30	33	36	17x12A	22X12A	27X12A	25x15	30x15	33x18	41x21	
Com Radius Top Seat (Resin)	1444mm / 56-7/8"		1108	8	10	12	14	16	18	20	22	24	10	12	14	14	16	18	22	41x21
Com Vertical (Resin)	1310mm / 52"		2394	8	10	12	14	16	18	20	22	24	8	8	8	10	10	12	14	14

Parts Name	Description 1	Description 2	Parts #	12A	15	18	21	24	27	30	33	36	17x12A	22X12A	27X12A	25x15	30x15	33x18	41x21	
Com Radius Top Seat (Resin)	1444mm / 56-7/8"		1108	8	10	12	14	16	18	20	22	24	10	12	14	14	16	18	22	41x21
Com Vertical (Resin)	1310mm / 52"		2394	8	10	12	14	16	18	20	22	24	8	8	8	10	10	12	14	14

Parts Name	Description 1	Description 2	Parts #	12A	15	18	21	24	27	30	33	36	17x12A	22X12A	27X12A	25x15	30x15	33x18	41x21	
Com Radius Top Seat (Resin)	1444mm / 56-7/8"		1108	8	10	12	14	16	18	20	22	24	10	12	14	14	16	18	22	41x21
Com Vertical (Resin)	1310mm / 52"		2394	8	10	12	14	16	18	20	22	24	8	8	8	10	10	12	14	14

Parts Name	Description 1	Description 2	Parts #	12A	15	18	21	24	27	30	33	36	17x12A	22X12A	27X12A	25x15	30x15	33x18	41x21	
Com Radius Top Seat (Resin)	1444mm / 56-7/8"		1108	8	10	12	14	16	18	20	22	24	10	12	14	14	16	18	22	41x21
Com Vertical (Resin)	1310mm / 52"		2394	8	10	12	14	16	18	20	22	24	8	8	8	10	10	12	14	14

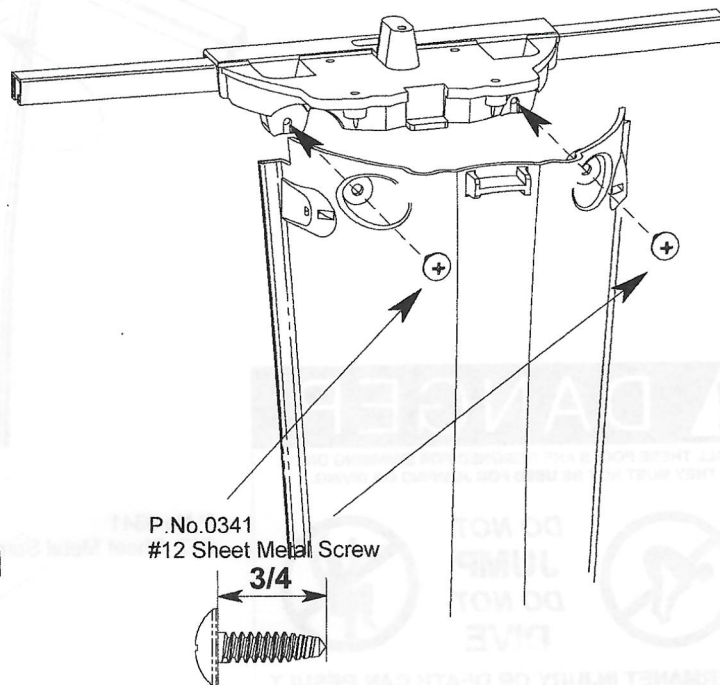
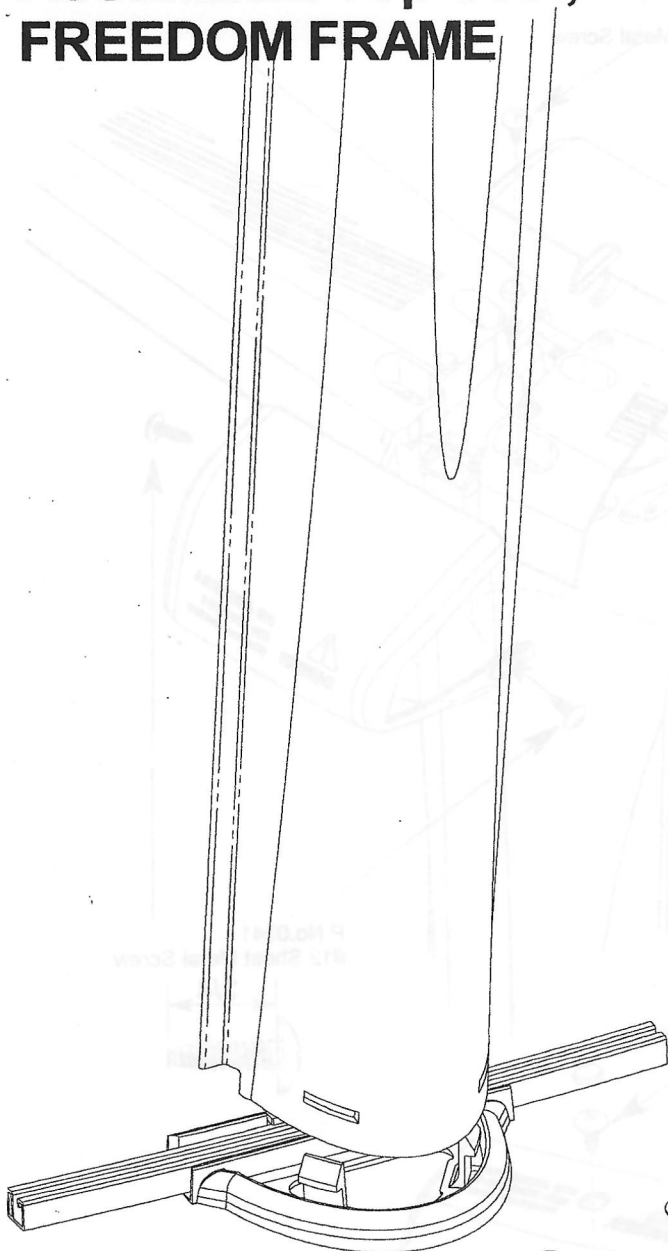
ASSEMBLE Top Seat, Vertical and Cover FREEDOM FRAME

a) PRE-ASSEMBLING VERTICALS

Put Resin Upper Joint as shown in the Figure, tighten up #12 Sheet Metal Screws.

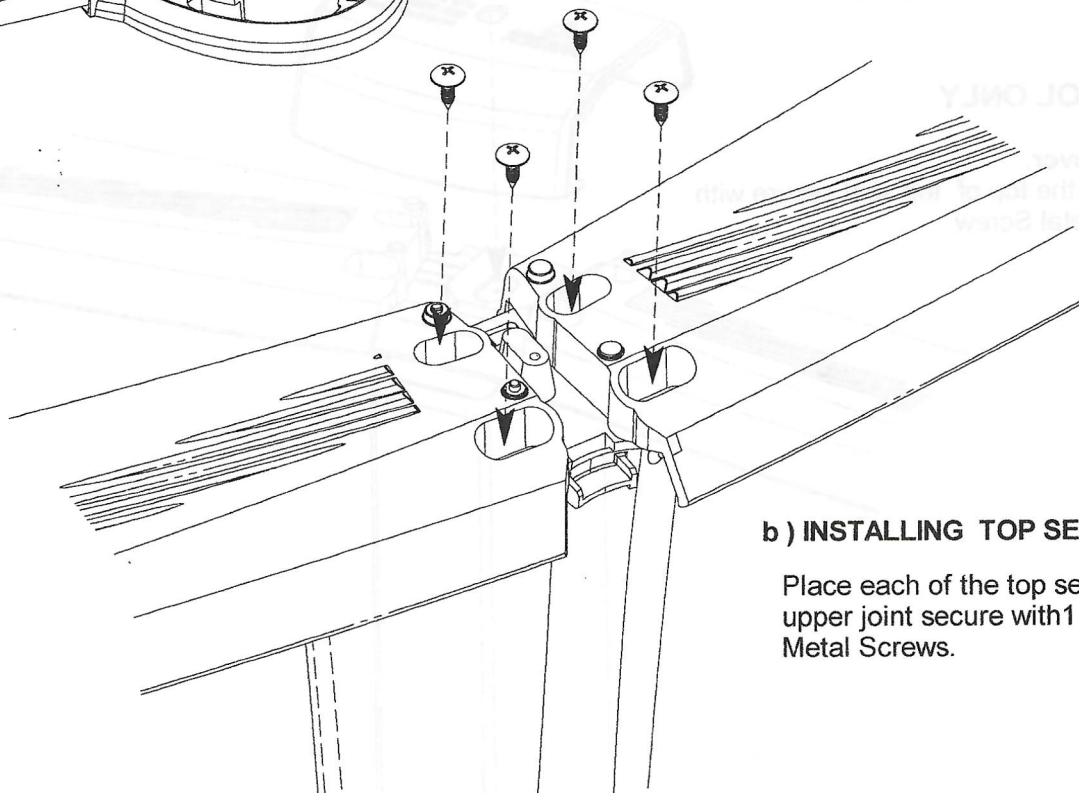
b) INSTALLING VERTICALS

Push in bottom end of vertical to lower joint as shown.
Make sure two tabs stay in slot vertical Resin joint cover top rail.



P.No.0341
#12 Sheet Metal Screw

3/4



b) INSTALLING TOP SEATS

Place each of the top seat over the upper joint secure with 1 #12 Sheet Metal Screws.

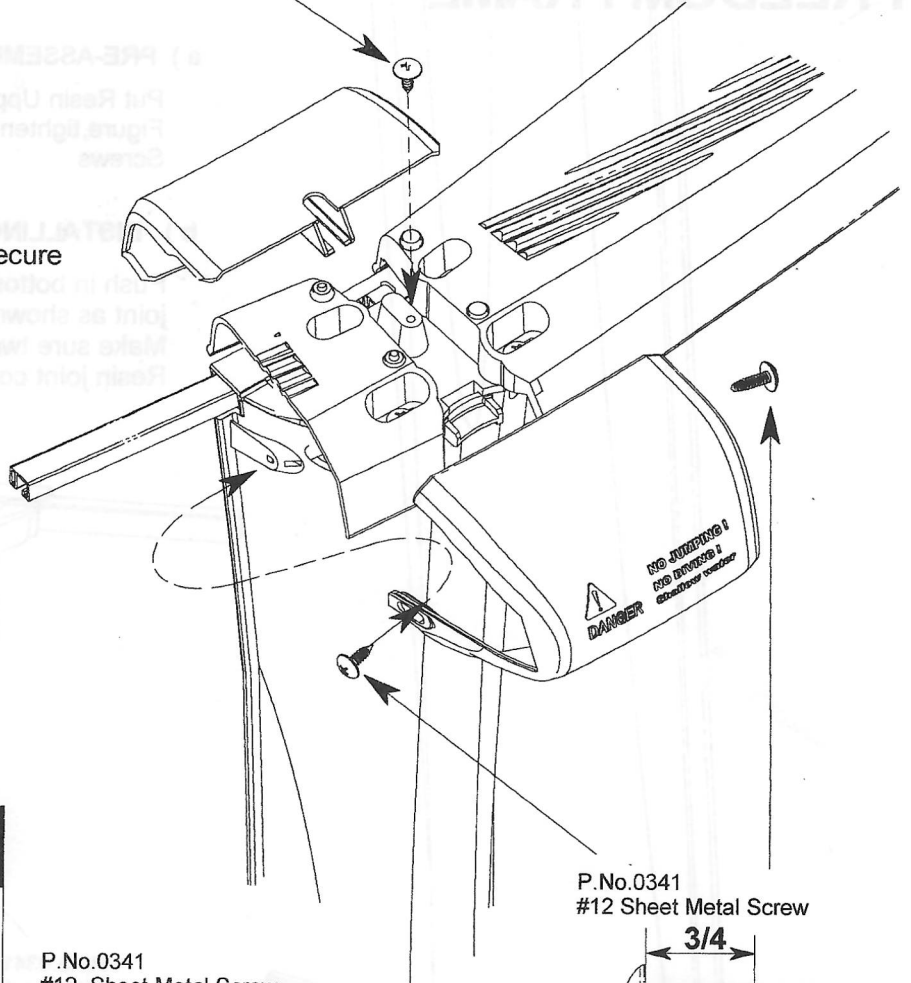
P.No.0341
#12 Sheet Metal Screw

c) INSTALLING SEAT COVERS

Put smaller cover to top of top seat.

Secure with #12 Sheet Metal Screw.

Put lager cover slide into inside cover, secure with two #12 Sheet Metal Screw.



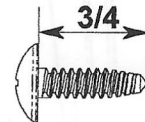
! DANGER
ALL THESE POOLS ARE DESIGNED FOR SWIMMING ONLY.
THEY MUST NOT BE USED FOR JUMPING OR DIVING.

DO NOT JUMP
DO NOT DIVE

PERMANET INJURY OR DEATH CAN RESULT.

P.No.0341
#12 Sheet Metal Screw

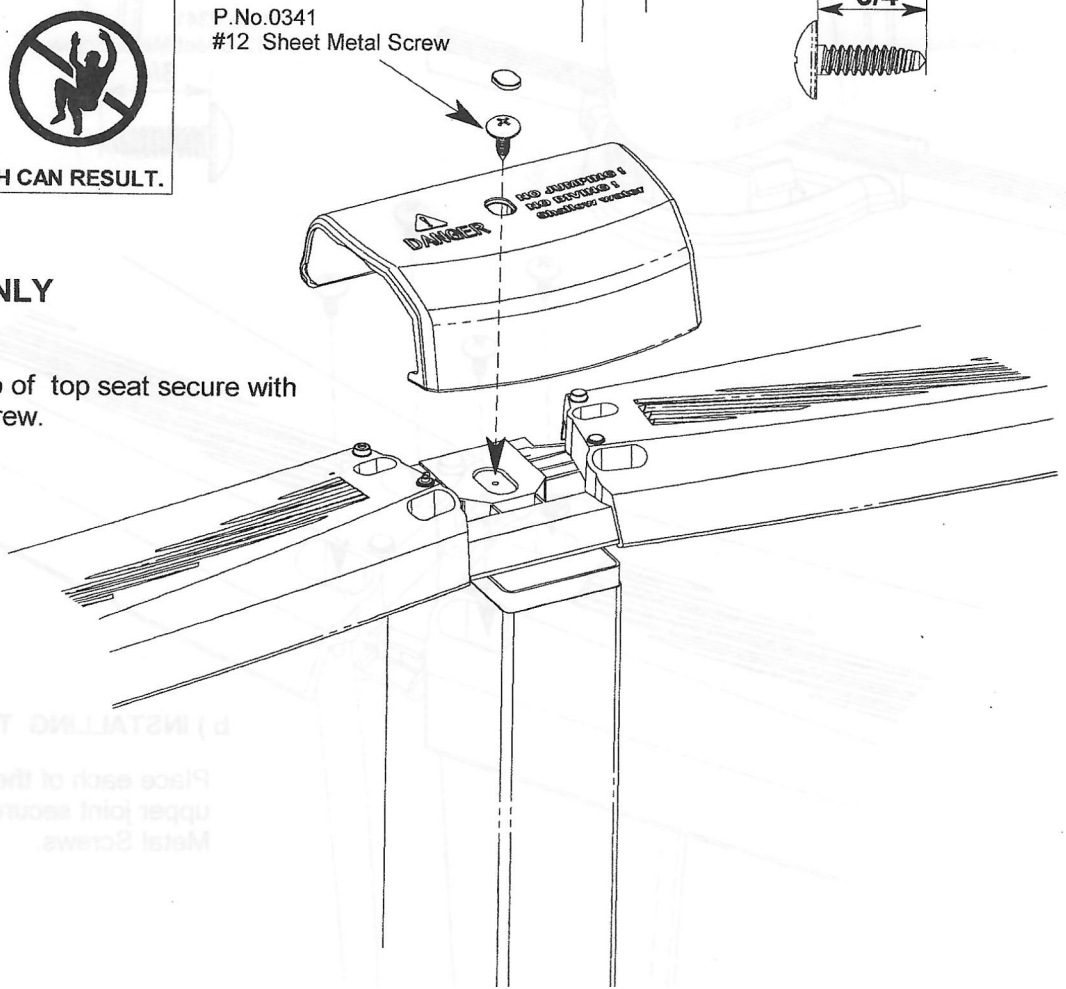
P.No.0341
#12 Sheet Metal Screw



FOR OVAL POOL ONLY

Installing oval cover.

Put oval cover to the top of top seat secure with two #12 Sheet Metal Screw.



d) INSTALLING TOP SEATS
Place each of the top seat over the upper joint secure with #12 Sheet Metal Screws