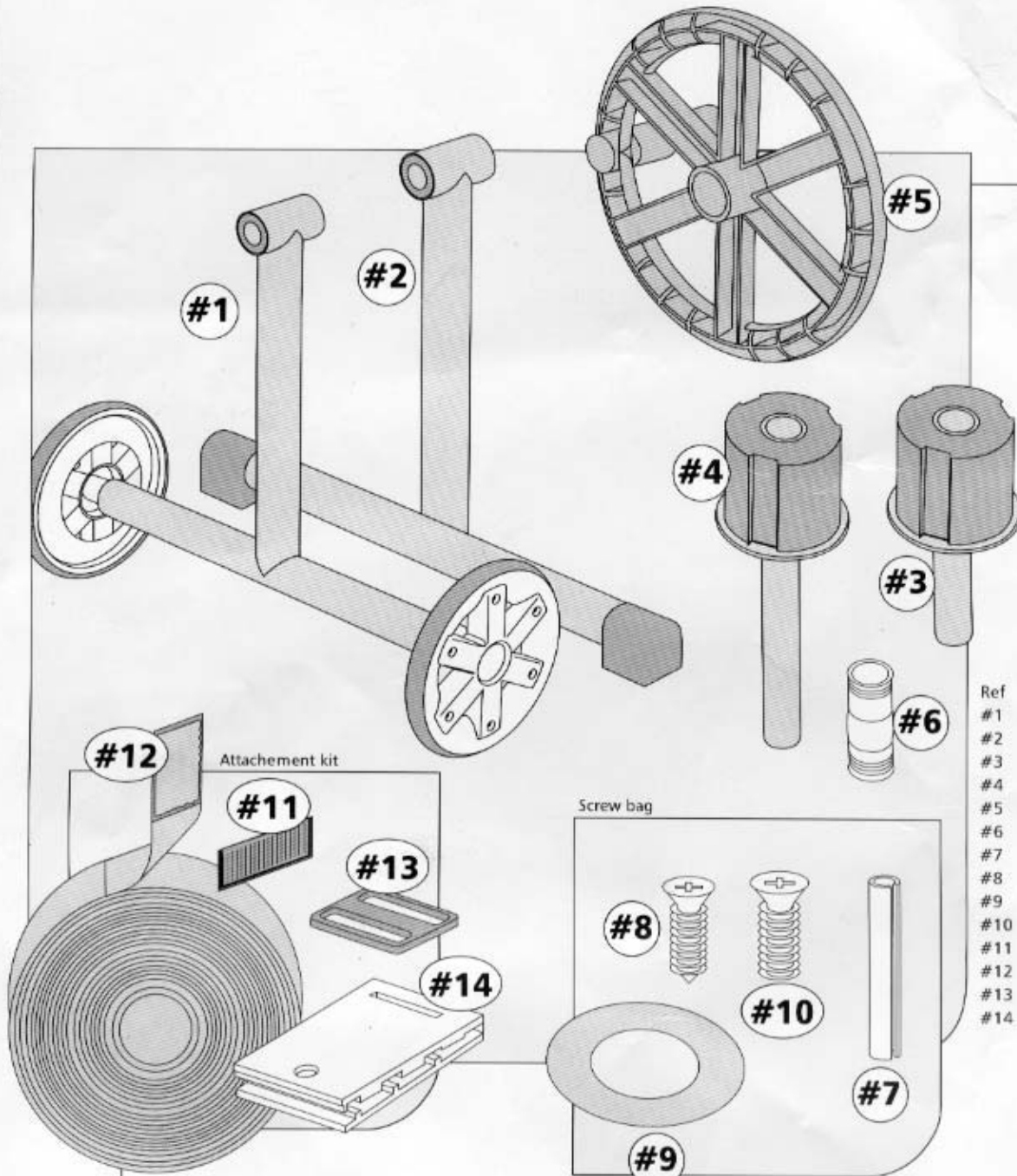


Inground pool Cover Reel

1

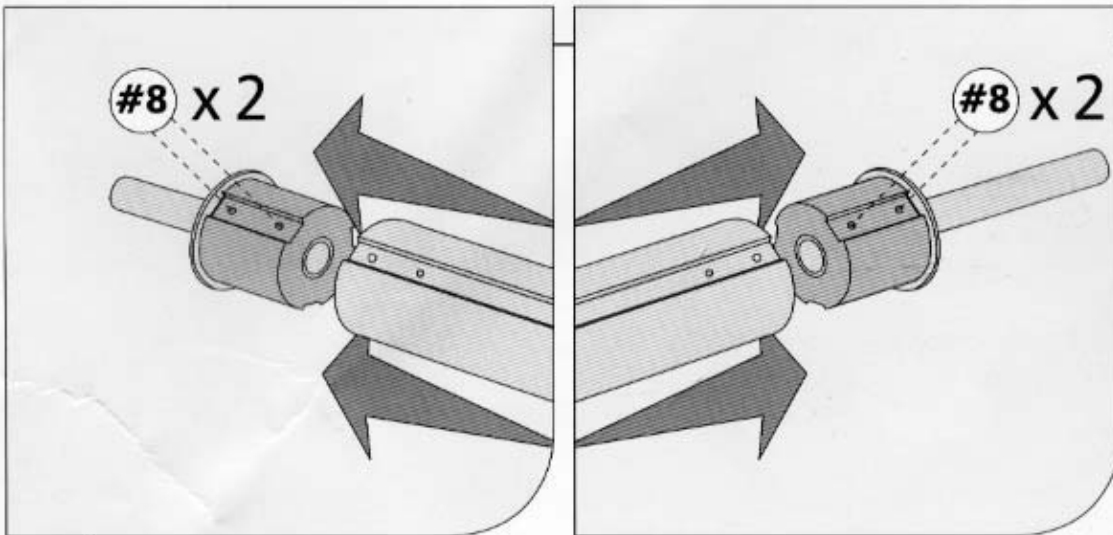


Ref	Description	Qty
#1	Frame with wheels	1
#2	Frame	1
#3	Short Hub	1
#4	Long Hub	1
#5	Wheel with handle	1
#6	Grip	1
#7	Metal pins	2
#8	Self tapping screw	4
#9	Washer	1
#10	Self tapping screw	6
#11	Male velcro sticker	8
#12	Strap with female velcro	8
#13	Buckle	8
#14	Cover clip	8

Tube A \varnothing 3" Tube B \varnothing 3"3/16 Tube C \varnothing 3"

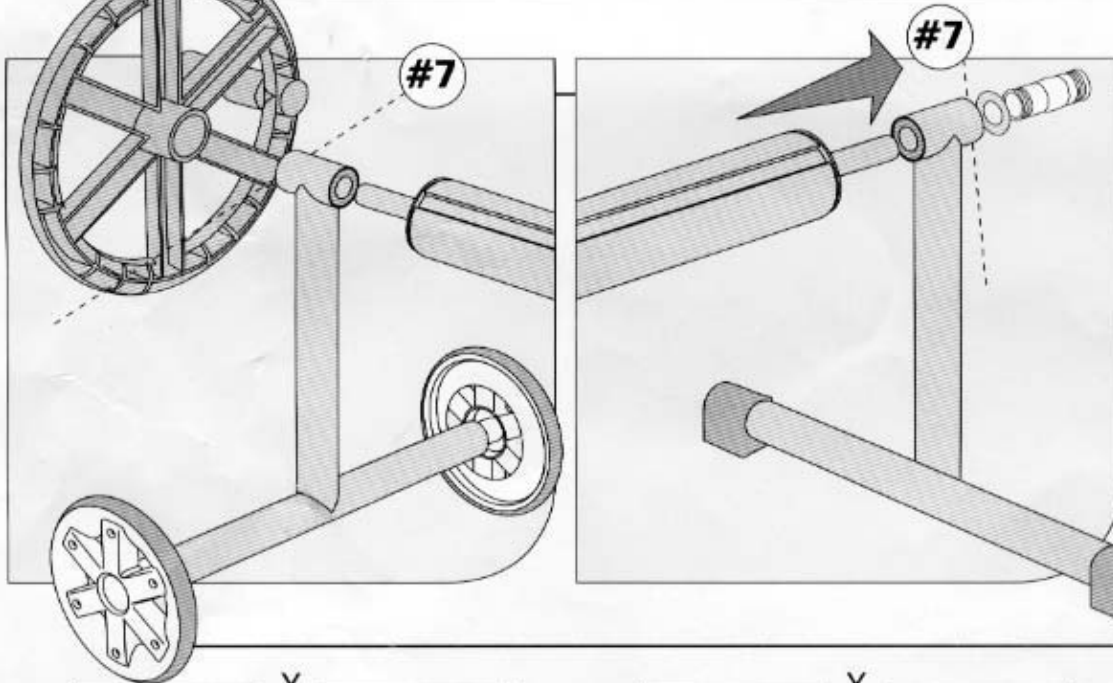
Tubes not included in the kit

2



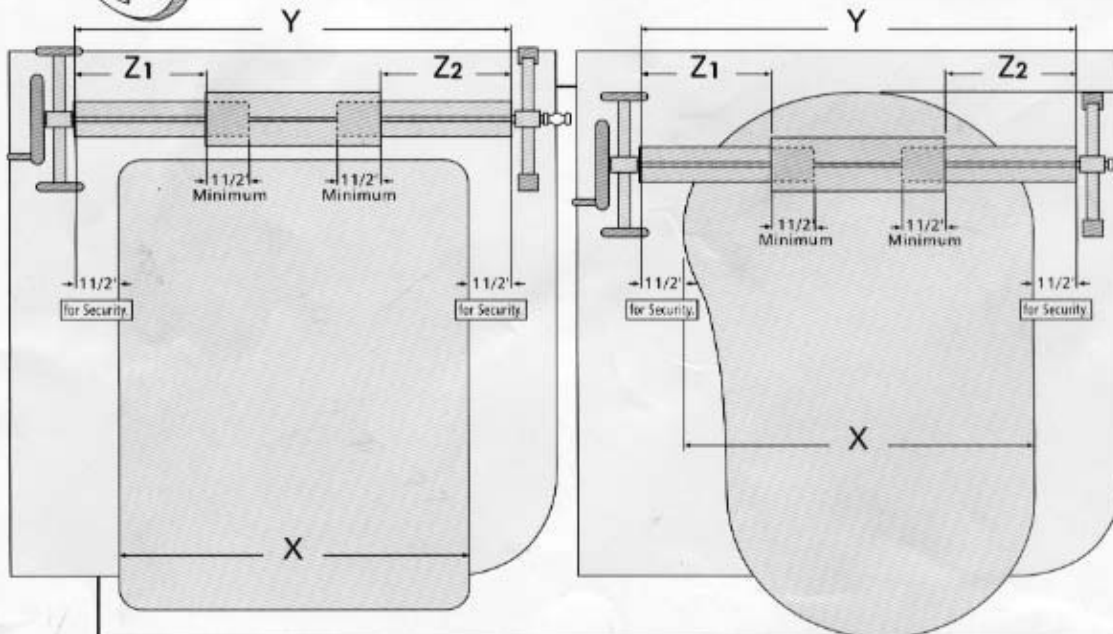
- Align the groove on the hub with pre-drilled holes on the tube, and insert the short hub #3 into one end of 3" tube. Secure the assembly with 2 self tapping screws #8.
- Repeat the operation with the long hub #4 into one end of the second 3" tube and secure the assembly with 2 self tapping screws #8

3



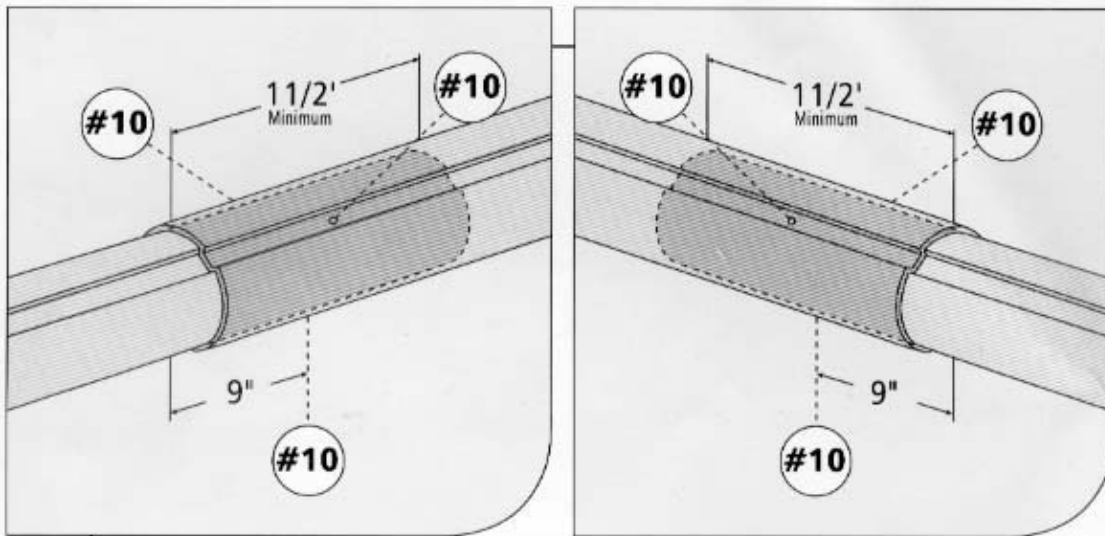
- Assemble the short hub #3 on the frame with wheel #1, and slide the wheel with handle #5 onto the hub handle. Secure the assembly with the metal pin #7.
- Assemble the long tube hub #4 on the frame #2, place the washer #9 behind the frame and secure the assembly with metal pin #7. Slide the grip #6 onto the hub.

4



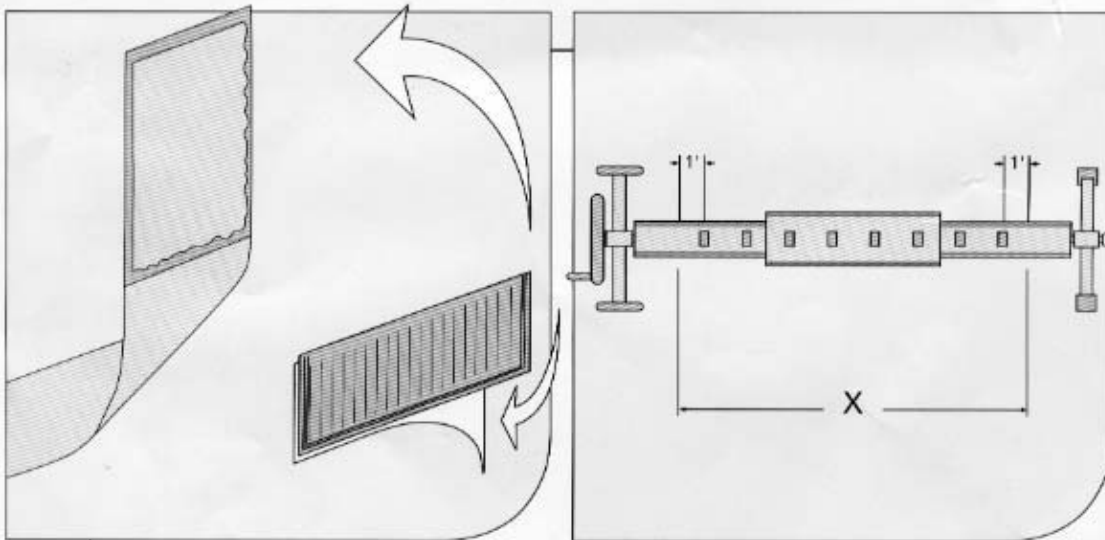
- Measure the longest width of your pool (from the inside edge)=X.
- Insert 3" tube A and C into the 3*3/16 tube B, and slide them until you have the required size Y ($Y=X+3'$).
- Ensure that the tube B is exactly centered so that Z1 and Z2 are equal.
- Also ensure that there is a minimum tube overlapping of 1 1/2" on both side of the tube B.

5



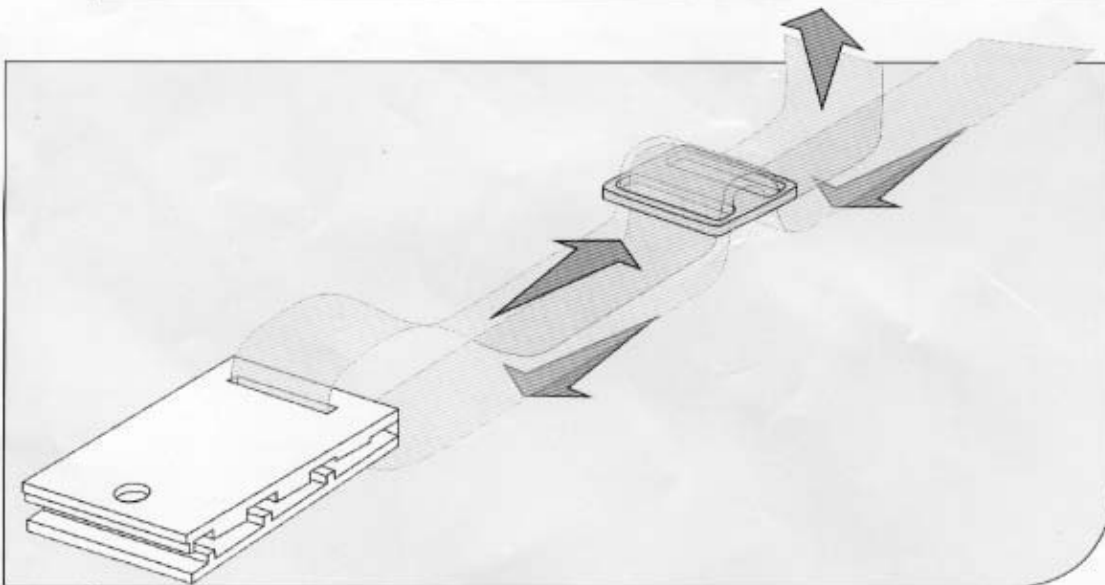
- Fasten 3 screws #10 in the pre-drilled holes at each side of the B tube to secure the assembly.

6



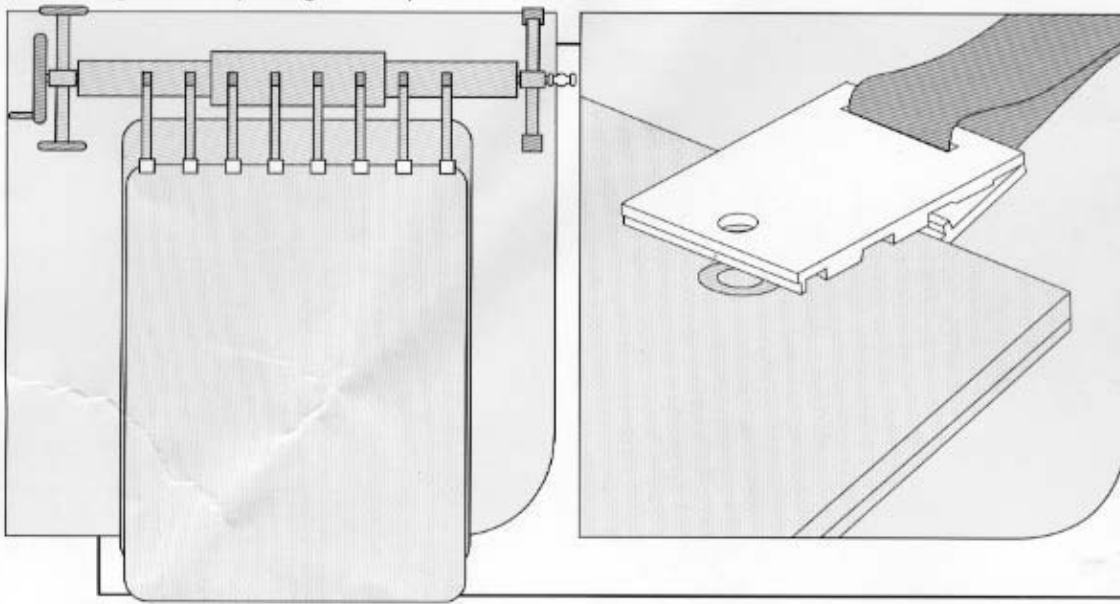
- Detach the 8 male velcro sticker #11 from the straps #12, peel off the protective layer and glue them on the tubes in a straight line at equal distance over the length X as shown.

7



- Assemble the straps # 12 to the buckles #13 and to the cover clips #14 as shown on the drawing.
- Do not snap the clip yet.

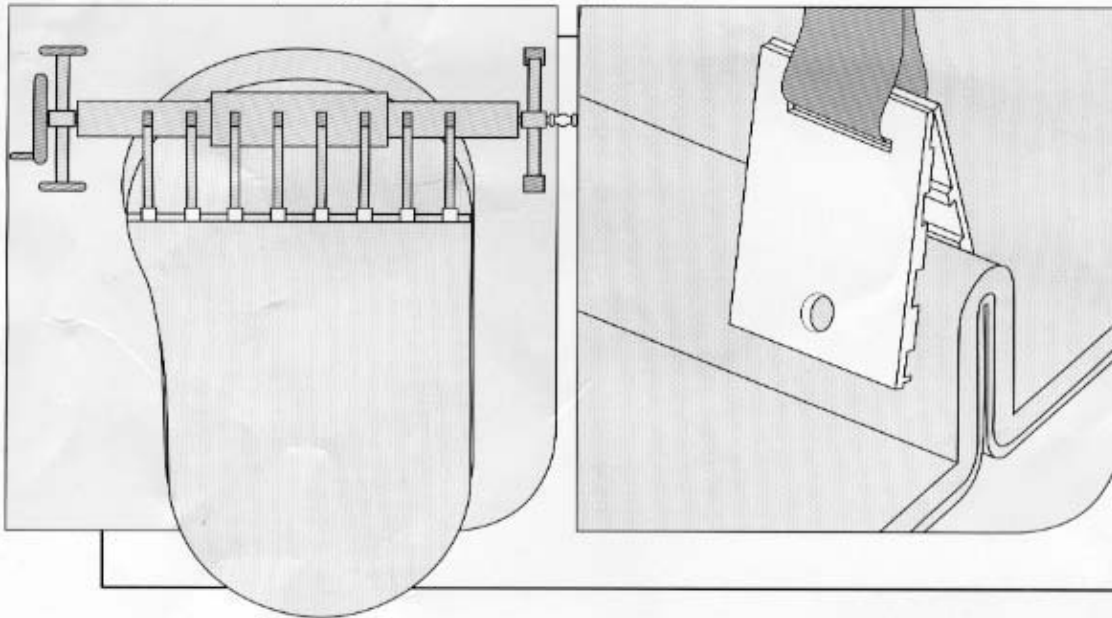
For a regular shape inground pool



8a

- Open cover over the pool and set into position. Attach the clips #14 in the cover at the same regular intervals as the male velcro sticker on the tubes.
- Ensure that the length of the straps allows the cover to lay flat on the pool, to prevent the wind from getting under the cover.

For an irregular shape inground pool



8b

- Put your cover in position on the pool, and pinch it like on the drawing.
- Attach the clips #14 in the cover at the same regular intervals as the male velcro sticker on the tubes.
- Ensure that the length of the straps allows the cover to lay flat on the pool, to prevent the wind from getting under the cover.