

Instruction manual



The perfect package for your own ice rink.
Made in CANADA by FARLEY ICE TECHNOLOGIES INC.

**IMPORTANT
VIEW INSTALLATION VIDEO
AND READ THE INSTRUCTIONS CAREFULLY
BEFORE INSTALLING YOUR ICE N GO**

THANK YOU!

FOR HAVING PURCHASED "ICE 'N GO", THE PERFECT PACKAGE FOR YOUR OWN ICE RINK. WE, AT FARLEY, HAVE DONE ALL THE EFFORT TO OFFER YOU A PRODUCT OF HIGH QUALITY.

HOWEVER, IF THE PRODUCT DOES NOT ASSEMBLE PROPELY, OR IF THERE IS ANY MISSING PARTS

PLEASE CALL OUR

**CUSTOMER SERVICE
TOLL FREE NUMBER
1-866-931-2001 EXT. 526**

1- Parts included in the ICE N'GO ice rink kit

An inventory list of the parts you should have received with this kit is included. If it is not included, please call our customer service department at 1-866-931-2001 ext 526 (Toll Free)

- Bottom liner (Item A)
- Rigid white tubes 2in diameter (Item B) made of PVC to build the perimeter border (46in / 118cm long)
- Rigid white tubes 1in 7/8 diameter (Item C) made of PVC to build the perimeter border (46in / 118cm long)
- Flexible fitting (Item D) made of soft styrofoam and used to build the four corners of the rink (12in / 30cm long)
- Blue tubes (Item E) made of polyethylene and used to hold the bottom liner to the border (± 46in / ± 118 cm long)
- Polyethylene blue corners (Item F) to protect the liner in each corner
- Hockey lines (one red and two blue)
- Instruction manual and assembly video

2- Choosing the location to set up your ICE N' GO ice rink kit

The secret to a successful skating rink installation depends on it's location. You must consider the following:

- **Flat leveled land (as much as possible).**
- **Determine how much of a slope you have, if any.**
- **If you do have a slope, and it is more than 11", do not proceed until you have called our CUSTOMER SERVICE DEPARTMENT AT 1-866-931-2001 EXT 526 (Toll Free)**
- Easy access to adequate lighting should you wish to skate at night.
- Easy access to a water hose.
- **Read the "Getting the surface ready" instructions carefully.**
- Choose an area where animals (dogs, deers...) will not wander onto the surface.

To install your ICE N'GO kit before the first snow fall refer to section # 4

(This option is for those areas that have limited snowfall, or to get an early start on the season.)

3- Getting the surface ready for installation of your ICE N' GO kit, after the first snow fall

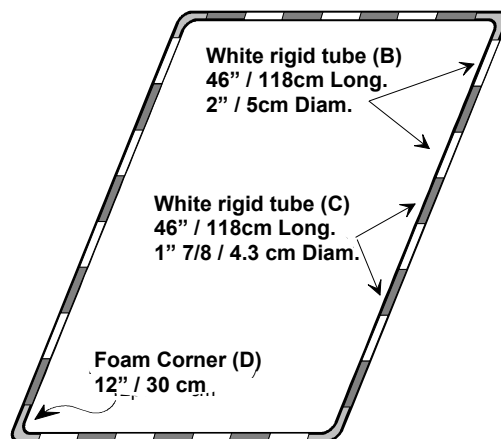
N.B. To install your ICE'N GO directly on the grass, remove all the snow and go the section # 4

- Measure out the size of the rink.
- Leave approximately a 3in / 8cm layer of snow across the area.
- Compact the snow on the selected area (using a shovel or a lawn roller)
- Once you have compacted the snow, check the level of the land. Level out, if necessary, by adding snow at the lowest point or scrapping away snow at the highest point.
- Ensure that the center of the rink is slightly lower than the outer edges by one (1) to two (2) inches.
- Your site is now ready for the installation of your ICE N'GO ice rink kit.

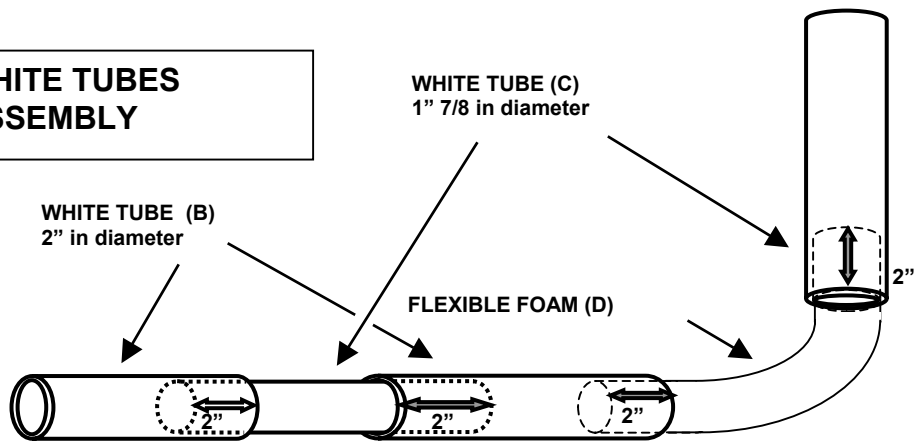
4- INSTALLATION OF THE STRUCTURE (BASIN) AND THE LINER

- Inspect the area where the rink will be installed very carefully and make sure that it is free and clear of any **sharp objects, ice, wood chips, shrubs, tiny stones, pointy objects...anything that may damage the liner.**
- Note: The liner is constructed of 0.045" gauge polyethylene membrane and is designed to hold in water only.
- If the surface is grass, it is important that it is not cut too short, as it will puncture the liner upon **INSTALLATION, IF IT IS FROZEN.**
- Lay out rigid white tubes (B and C) on the ground in the rectangular shape of the rink.
- Connect all the rigid white tubes (B and C) for the sides
- Use the flexible fittings (D) of 12in / 30cm for the corners.
- Lay down the bottom liner (A) so it will overlap the frame.
- The liner should overlap the frame of the ice rink from 4 to 12in / 10 to 30cm all around. Do not cut the liner.
- The blue tubes (E) are used to fasten the liner to the frame.
- Use the blue tubes (E) to snap on the liner to the frame. Be careful not to damage (perforate) the liner.
- The blue tubes (E) must overlap each other by about 2in / 5cm.
- After installing all of the blue tubes (E), use the four blue corners to finish the installation and to protect the liner in all four corners.

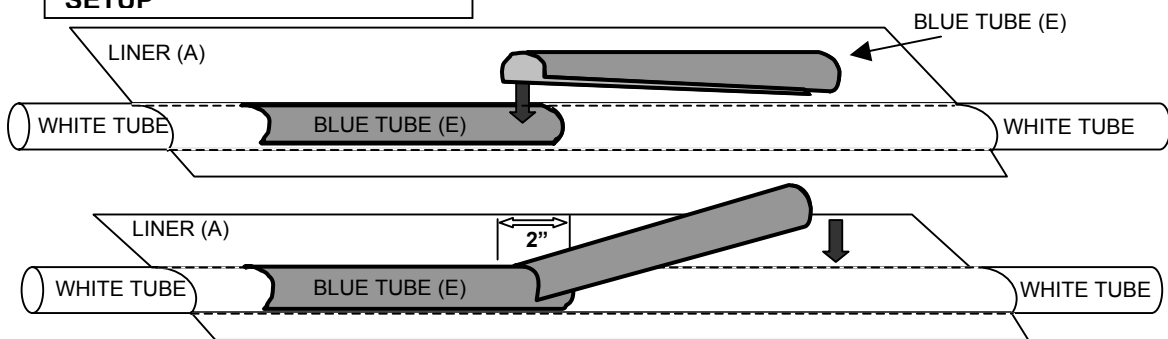
Note:
2" dia. tubes alternate with
1 7/8" dia. tubes all around
the entire structure.



WHITE TUBES ASSEMBLY

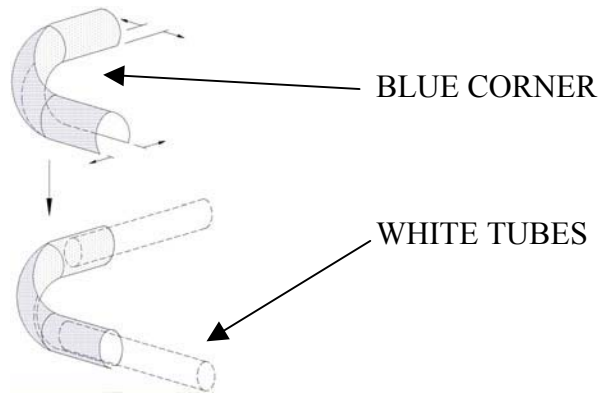


LINER AND BLUE TUBES SETUP



Note:

2" dia. tubes alternate with 1 7/8" dia. tubes all around the entire structure.



**DURING ASSEMBLY, DO NOT STEP ON THE LINER
SEE INSTRUCTIONAL VIDEO**

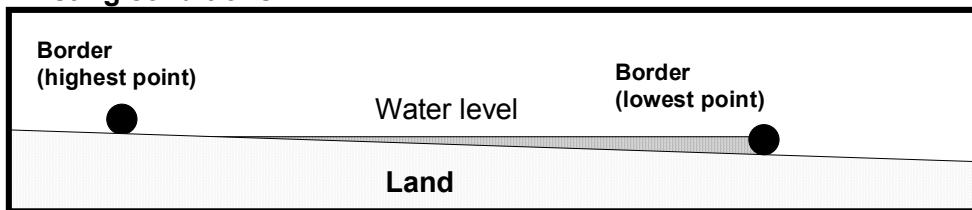
5- Making the FIRST LAYER of ice and SETTING UP ON UNLEVELED GROUND

- IMPORTANT - IMPORTANT -

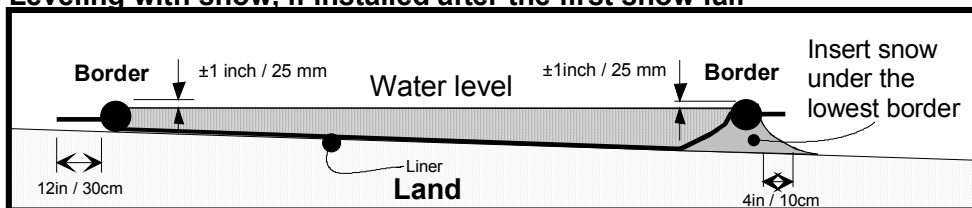
This first step will allow the installation of a levelled ice rink. This is crucial and must be done properly.

- Using your garden hose, start filling the ice rink with water.
- **If the water starts to accumulate in one spot, close to the border, lift the border and level out by adding compacted snow or Styrofoam*** supports underneath the lowest sections of the border.**
- Continue filling your ice rink until the water completely covers the liner.
- Your skating rink will have reached an even level when the water is 1 in / 25cm below the top of the blue tube (C) of the border.
- Let the water freeze.

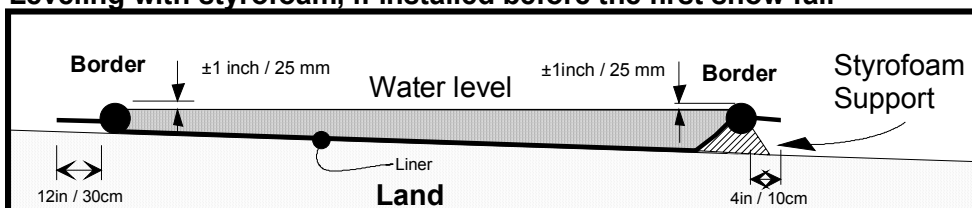
Existing conditions



Leveling with snow, if installed after the first snow fall



Leveling with styrofoam, if installed before the first snow fall



***Spacing between supports should not exceed 2 feet. If you need to raise the border between 10 to 12 inches, supports should be installed every 1 foot or less.

6- Installation of the game lines (Hockey)

Please note: **The red and blue lines may contribute to the premature thawing of the ice in milder weather.**

- The installation of the hockey lines included in your kit **is optional**.
- Slightly wet (3 or 4 feet / 1 meter at a time) the surface of the ice with hot water. The spot where the lines will be put down must be wet.
- Stretch out the colored strips onto the ice, remove any air pockets and let the area freeze.
- In several steps, add a thin layer of water over the lines to form a thin coat of ice. (1/4in / 6mm) This coat of ice will prevent the line from floating while making the final layer of ice.

7- Making the final layer of ice

- Water the whole surface of the skating rink evenly.
- Do not water directly over the hockey lines.
- Additional thin layers of ice (depending on the temperature) should be added.
- When watering your skating rink, do not water only on one spot. Spray the entire surface evenly.
- Due to the temperature of the water, the ice may crack: DO NOT WORRY! Continue filling the skating rink. The newly added water will fill in these cracks.
- Repeat these steps until the surface of the ice has reached the top of the blue ribbed tubes.

8- ICE Maintenance

- During the winter, periodically re-work the damaged surface of the ice.
- To obtain a smooth skating surface, clean the surface with a shovel and broom and then water with hot water. Hot water has the advantage of penetrating the cracks before freezing. Scrape bumps with a shovel.
- After a snow fall, always clean the snow all the way to the edges

9- Hoses handling and maintenance

- 1- Winterizing your home's hose tap; Before the first freeze
 - a) Close the shut-off valve inside the house
 - b) Open the outside hose tap

- 2- When ICE N'GO is set up and you're ready to fill
 - a) Attach hose to tap
 - b) Open shut-off valve inside the house
 - c) Open outside tap
 - d) Fill ICE N'GO rink as directed

- 3- When finished the filling session
 - a) Disconnect the hose, lift the hose end high, and let all water drain out (do not leave hoses outside)
 - b) Repeat step #1 above

10- End of the season

- Let the ice melt (Do not accelerate the melting process by using any cutting tools such as a shovel...)
- Dismantle the lowest corner of the structure to allow for the water to seep out slowly.
- Clean and dry the pieces.
- Place in the original box, these pieces should also be protected from the sun.

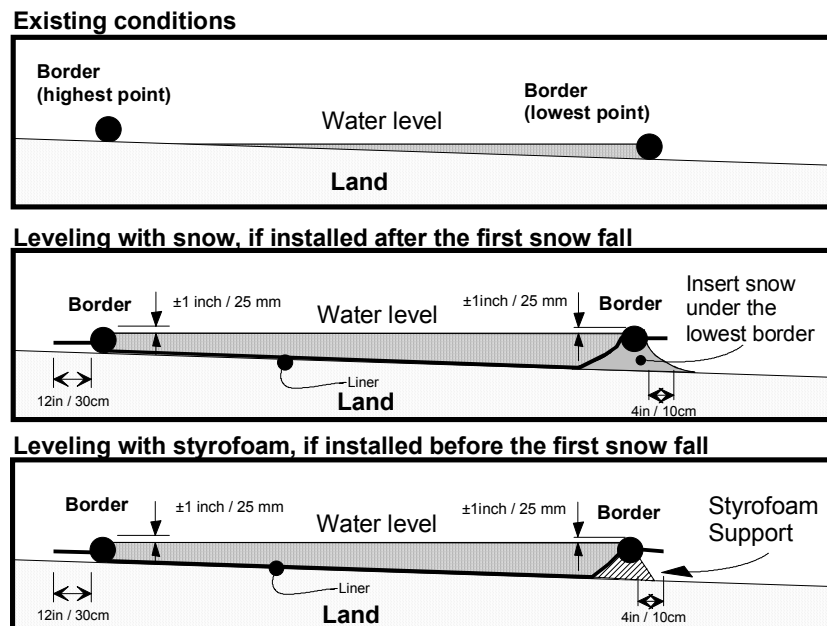
11- Troubleshooting

Setting up on unlevelled ground

- Watering period: How to correct the level of the ice rink when the water starts to accumulate against the border or starts spilling out of the border.

See section # 5: Making the FIRST LAYER of ice and setting up on unlevelled ground.

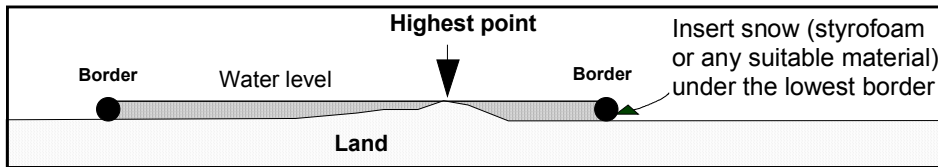
Pull the section of the border up where the water accumulated the most and pack some snow or Styrofoam supports underneath this border. Adjust the adjacent border.



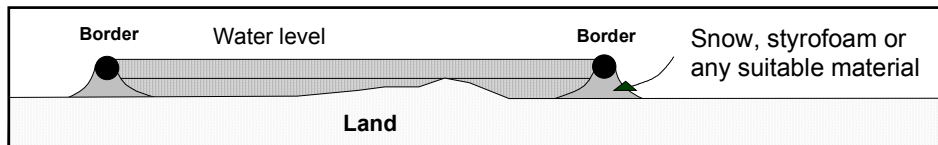
- Watering period: How to correct the level of the ice rink when the water is unable to cover a section of the liner.

Pull the border up all around the ice rink and pack some snow (Styrofoam or any suitable material) under it. Continue filling the ice rink with water.

Before



After



- The ice is finished, but you notice that the ice is too thin in one spot.

Pull the border up all around the ice rink. To do so, un-stick the border from the ice by pulling firmly. Make the border slide on the excess liner and bring it to the top of the ice. Pack some snow (Styrofoam or any suitable material) under the border to hold it in place. Fill the ice rink with water according to the instructions. **(Making the final layer of ice)**

- The ice is finished, but you notice that one section of the border is too low compared to the rest of the border.

Pull the border up all around the ice rink. To do so, un-stick the border from the ice by pulling firmly. If it is stuck, do not pull on it as it might rip. Use warm water along the edge until you can safely pull on it. Make the border slide on the excess liner and bring it to the top of the ice. Pack some snow (Styrofoam or any suitable material) under the border to hold it in place. Fill the ice rink with water according to the instructions. **(Making the final layer of ice)**

The bottom liner is damaged or perforated

The center of the liner is damaged

- Use the repair patch supplied with your ice rink, and place a patch on the damaged section of the liner. To order a new liner (A) see the replacement parts section in the instruction manual.

The edge of the liner is damaged

- Use the repair patch supplied with your ice rink, and place a patch on the damaged section of the liner or move the border beyond the damaged liner so that the perforated section will be outside the border.

Hockey lines (installation)

Hockey lines float on the surface of the water after they have been added to the rink.

- The hockey lines must be installed and held in place under a thin coat of ice before adding more water to the ice rink. The lines must be removed if you do not have a minimum of 1in / 2.5cm of water to add.
- If you do have 1in / 2.5cm or more of water to add, then you must wait until this freshly added water has frozen over. When this is done, go back to the second step of «Making the ice» chapter. Slightly wet (3 or 4 feet / 1 meter at the time) the surface of the ice with hot water. The spot where the lines will be put down must be wet. Stretch out the colored strips onto the ice, remove any air pockets and let the area freeze. In many steps, add a thin layer of water over the lines to form a thin coat of ice. (1/4in / 6mm) This coat of ice will prevent the lines from floating while making the final layer of ice.

Hockey lines rise to the surface of the ice.

- This problem occurs in warm weather. To fix the problem you can add water to the ice (If the weather is cold enough and if you have at least 1in / 2.5cm of water to add) or you can simply remove the lines.

Air pockets over the hockey lines

- Air pockets occur in warm weather. If the air pocket is close to the surface, pierce the surface, add water, and let it freeze. If the air pocket is too big, try to remove the line by pulling on it.

Weather: Rain, freezing rain...

The ice is covered with water; it's not a problem, just let it freeze.

12- LIST OF THE PARTS QUANTITY INCLUDED IN YOUR ICE N' GO

Liner	1	Foam connector 12"	4
Corner	4	Instruction manual	1
Hockey lines	1	Video	1

SIZE	White Tubes	Blue Tubes
15' – 19'	18	18
15' – 22'	20	20
15' – 26'	22	22
19' – 22'	22	22
19' – 26'	24	24
19' – 30'	26	26
19' – 33'	28	28
19' – 37'	30	30
19' – 41'	32	32
19' – 44'	34	34
22' – 26'	26	26
22' – 30'	28	28
22' – 33'	30	30
22' – 37'	32	32
22' – 41'	34	34

SIZE	White Tubes	Blue Tubes
22' – 44'	36	36
22' – 48'	38	38
22' – 52'	40	40
22' – 55'	42	42
26' – 33'	32	32
26' – 37'	34	34
26' – 41'	36	36
26' – 44'	38	38
26' – 48'	40	40
26' – 52'	42	42
26' – 55'	44	44
26' – 59'	46	46
26' – 63'	48	48
26' – 66'	50	50

SIZE	White Tubes	Blue Tubes
37' – 48'	46	46
37' – 52'	48	48
37' – 55'	50	50
37' – 59'	52	52
37' – 63'	54	54
37' – 66'	56	56
37' – 70'	58	58
37' – 74'	60	60
37' – 81'	62	62
37' – 85'	64	64
37' – 88'	66	66
37' – 92'	68	68
37' – 96'	70	70
37' – 99'	72	72

13- Warranty

FARLEY ICE TECHNOLOGIES INC., 1751, Richardson Street, Suite 3511, Montreal, Quebec, Canada H3K 1G6, guarantees for a period of one (1) year from the date of purchase against any and all manufacturing defects of material when used under normal conditions and five (5) years for the liner against UV Ray damages.

Should the product be defective, **FARLEY ICE TECHNOLOGIES** inc., (at its discretion), will repair or replace it, free of charge. If only part of the product is defective, you may return the defective part(s). If returning the part is necessary, you are responsible for shipping the defective product/parts to the above mentioned address. **FARLEY ICE TECHNOLOGIES INC.** will bear the cost of shipping for the repaired or replaced item to you. This warranty is void if the owner repairs or modifies the product. This warranty excludes any liability other than that expressly stated above, including, but not limited to, any incidental or consequential damages.

SOME JURISDICTIONS DO NOT ALLOW THE EXCLUSION OR LIMITATION OF INCIDENTAL OR CONSEQUENTIAL DAMAGES, SO THE ABOVE LIMITATION OR EXCLUSION MAY NOT APPLY TO YOU.

THIS WARRANTY GIVES YOU SPECIFIC LEGAL RIGHTS, AND YOU MAY ALSO HAVE OTHER RIGHTS, WHICH MAY VARY FROM JURISDICTION TO JURISDICTION.

**We, at
FARLEY ICE TECHNOLOGIES INC.,
sincerely hope that you and family
will enjoy many hours of fun with your
ICE N' GO rink this winter!**

Should you need assistance, please call us on our toll free line at 1-866-931-2001 Ext: 526, or visit our website for more of our innovative and unique products. It is always a pleasure to hear from you!

<http://www.farleytechnologies.com>
info@farleytechnologies.com