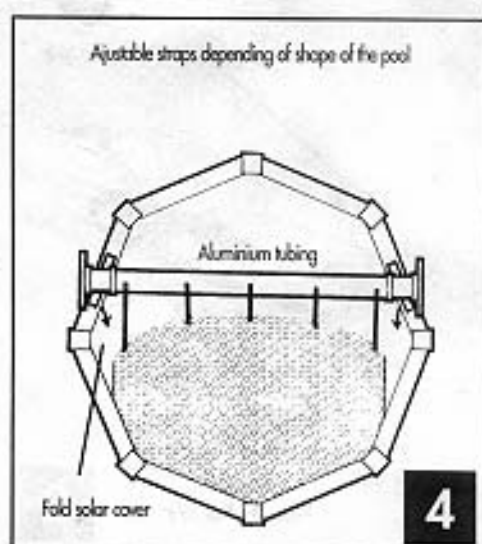
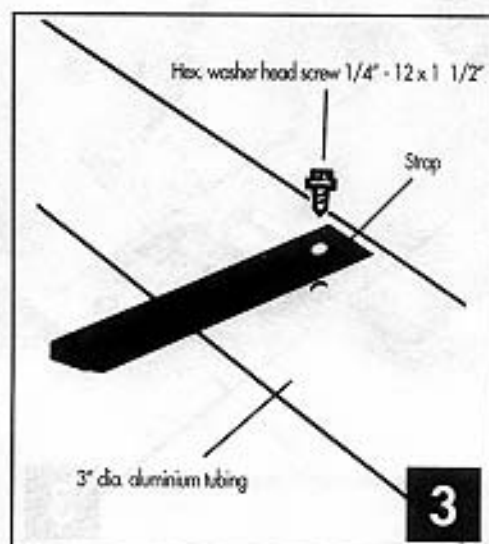
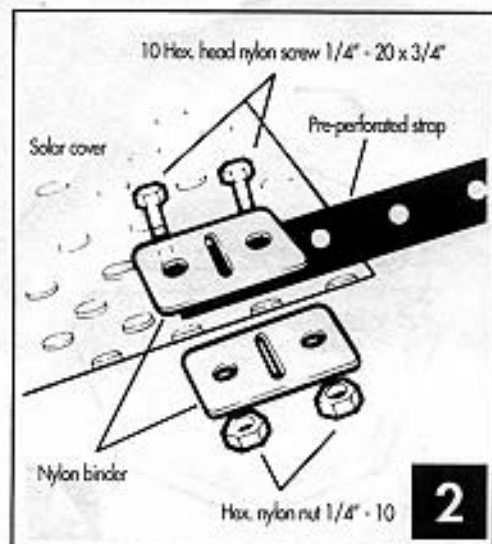
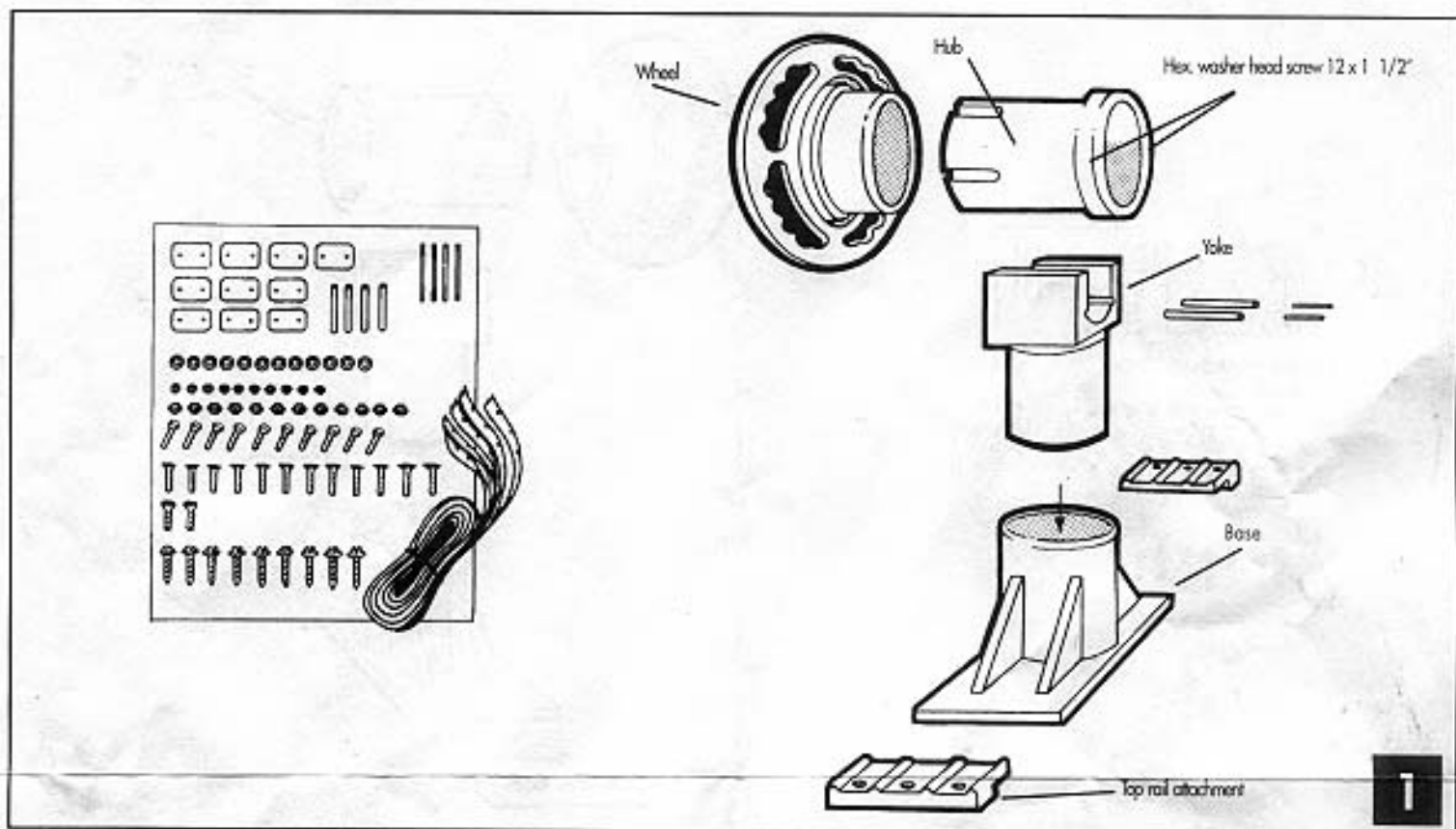


# INSTRUCTION SHEET



When you install the straps to the solar cover they must be in equal distance one from the others. The straps length must be adjust in function of the shape of the pool.

You must drill holes in aluminium tubing to fix straps which are already attached to solar cover.

Fold overlap before rolling the cover.

INS-1133

Pool accessories  
**Olympic**

Water Pik Technologies Inc.  
BOUCHERVILLE QC J4B 2X4

Pool accessories  
**WaterPik**™